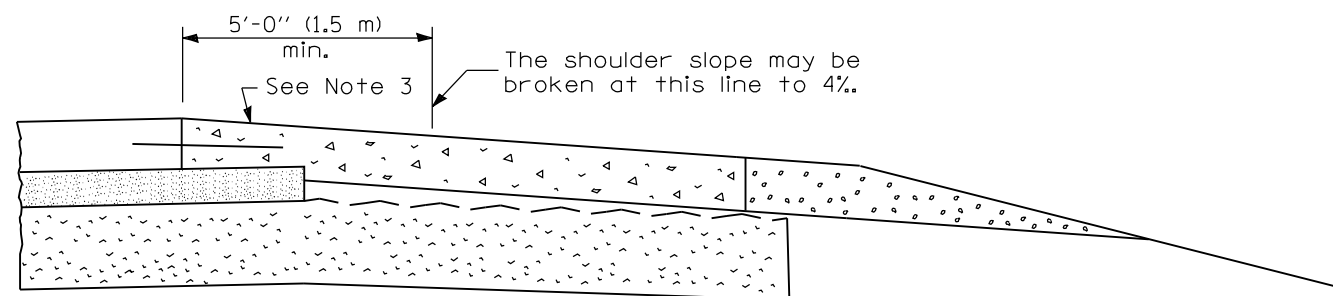
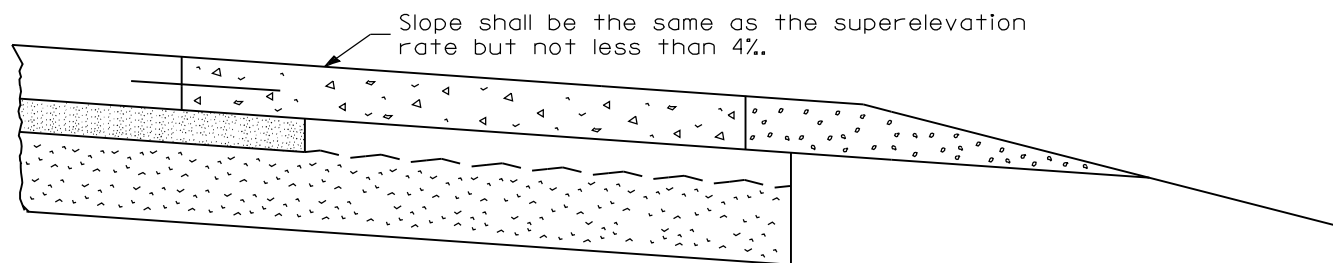


SHOULDER FOR TANGENT PAVEMENT



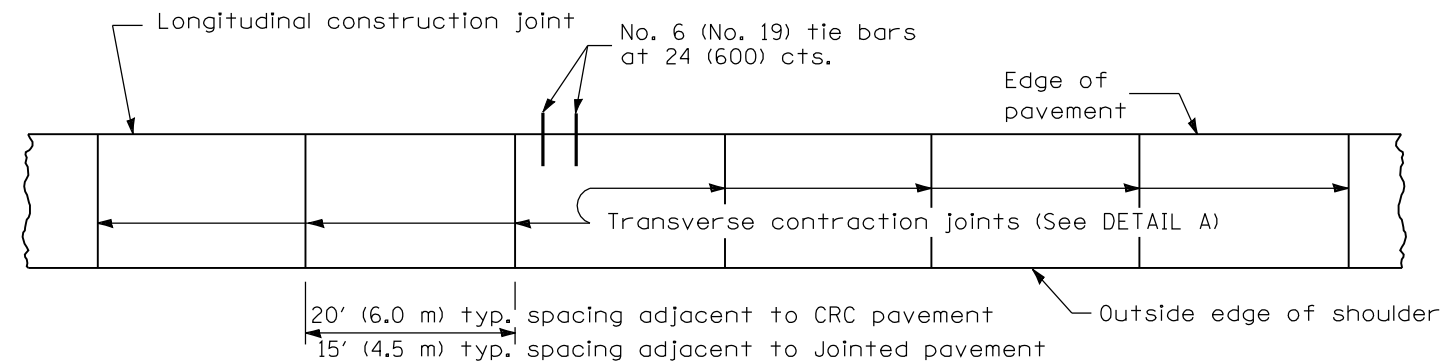
SHOULDER FOR SUPERELEVATED PAVEMENT

(Outside of curve)

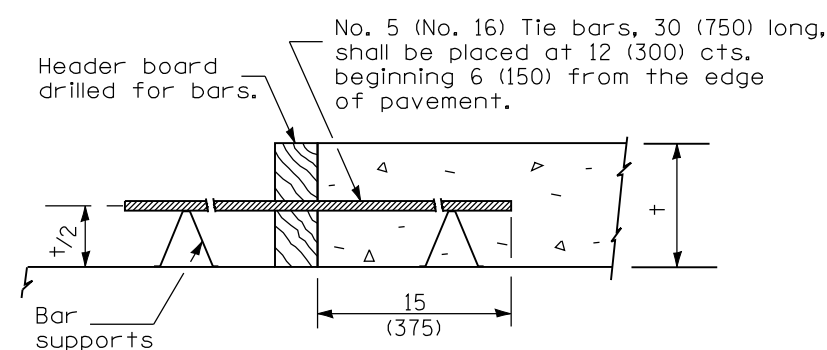


SHOULDER FOR SUPERELEVATED PAVEMENT

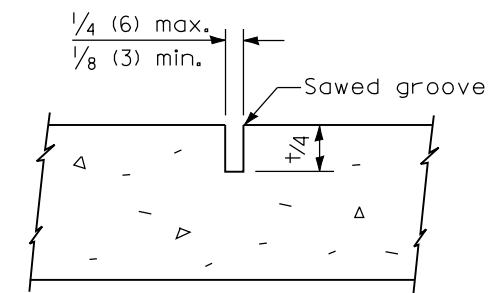
(Inside of curve)



PLAN



TRANSVERSE CONSTRUCTION JOINT



DETAIL A

TRANSVERSE CONTRACTION JOINT

NOTES

- Note 1: Does not apply when sub-surface drains are installed.
- Note 2: When the subbase is not removed, this thickness will vary with the thickness of pavement, extended length of subbase, and the slope of pavement. When this thickness is less than 6 (150), the paved shoulder shall be stepped down at this line to provide a 6 (150) minimum thickness.
- Note 3: When the superelevation rate of the pavement is between 0% and 4%, the shoulder shall be sloped at 4%. When the superelevation rate of the pavement exceeds 4%, the shoulder shall be sloped so that the algebraic difference between the pavement and shoulder slopes will not be greater than 8%.

GENERAL NOTES

Except as noted or shown, the dimensions and notes specified for the shoulder of the tangent pavement are typical for the shoulders of superelevated pavement.

Transverse expansion joints shall be as detailed on Standard 420001 except that dowel bars will not be required.

See Standard 420001 for details not shown.

All dimensions are in inches (millimeters) unless otherwise shown.

DATE	REVISIONS
1-1-08	Switched units to English (metric).
1-1-07	Required subbase gran. material, Type C under shoulder.

PCC SHOULDER

STANDARD 483001-04

Illinois Department of Transportation

PASSED January 1, 2008

ENGINEER OF POLICY AND PROCEDURES

APPROVED January 1, 2008

ENGINEER OF DESIGN AND ENVIRONMENT

ISSUED 1-1-97