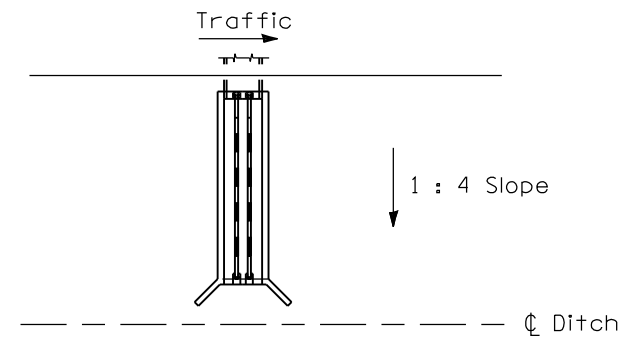
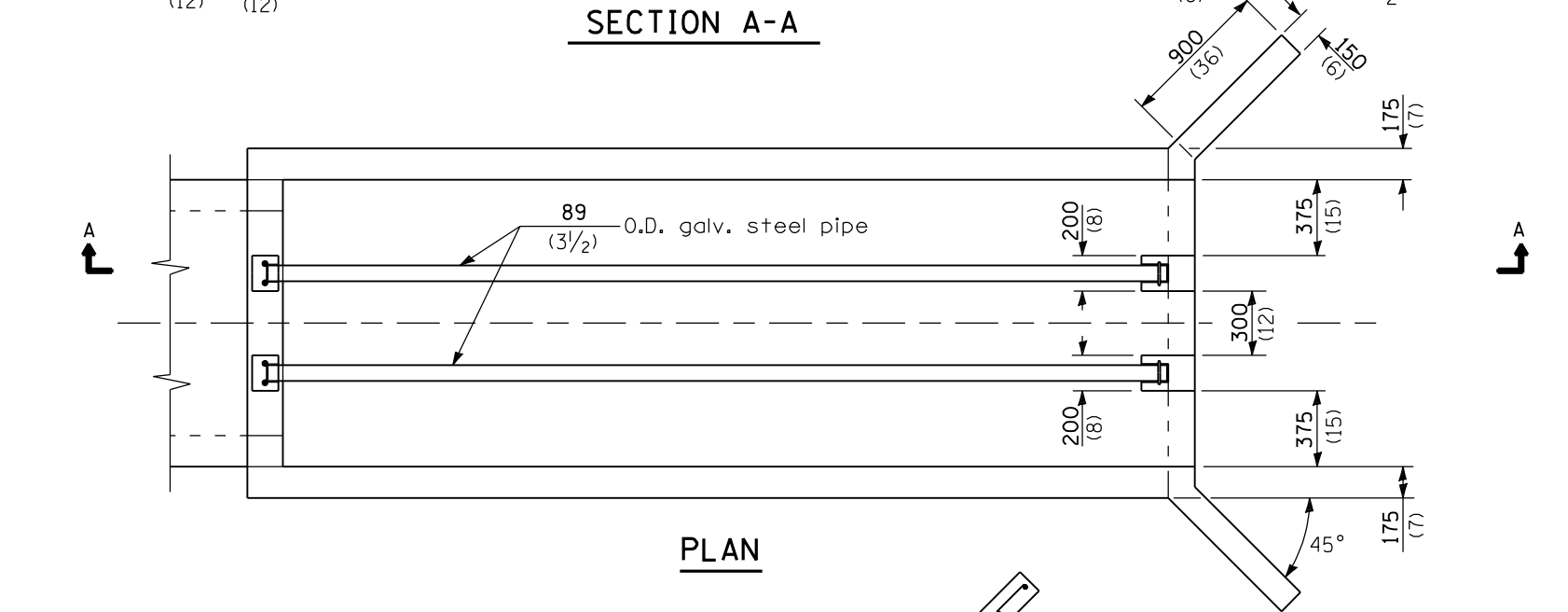
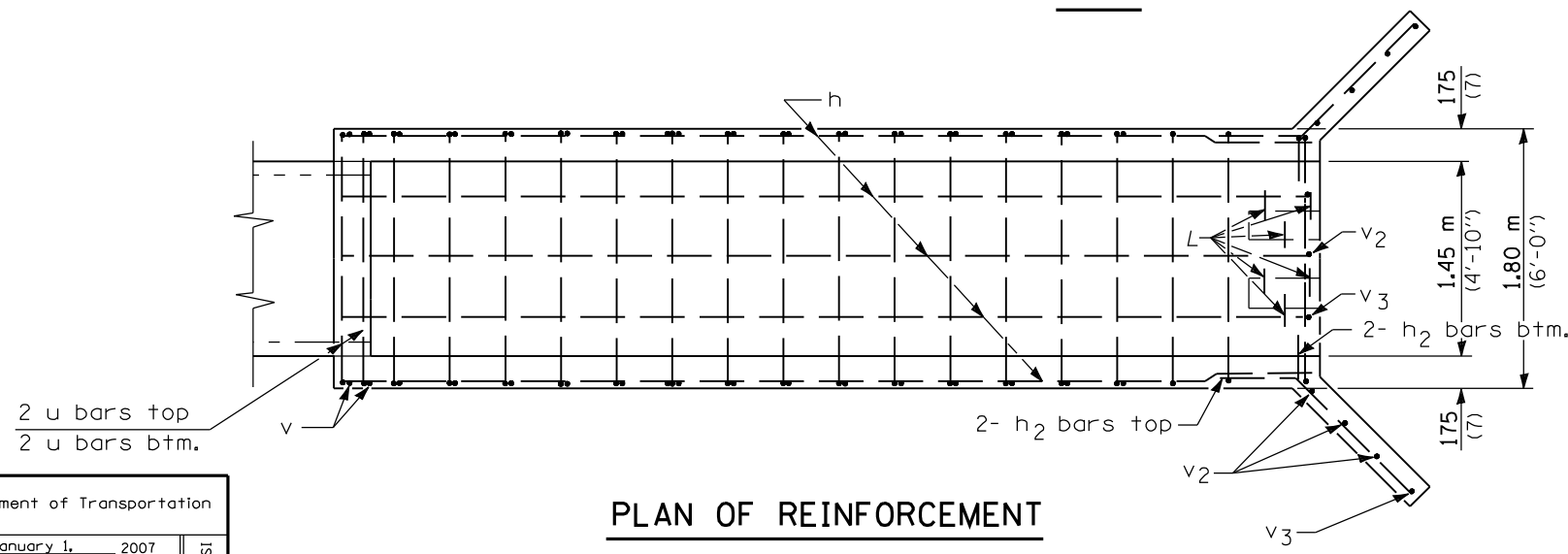


Material required for one inlet box

Bar	Qty.	Size	Length
h	11	No. 13 (No. 4)	4.40 m (14'-5")
h ₂	8	No. 13 (No. 4)	1.40 m (4'-8")
h ₃	2	No. 13 (No. 4)	1.70 m (5'-6")
L	6	No. 13 (No. 4)	550 (22)
u	16	No. 13 (No. 4)	2.67 m (8'-9")
u ₁	2	No. 13 (No. 4)	2.97 m (9'-9")
v	8	No. 13 (No. 4)	1.30 m (4'-3")
v ₁	6	No. 13 (No. 4)	1.07 m (3'-6")
v ₂	13	No. 13 (No. 4)	840 (33)
v ₃	10	No. 13 (No. 4)	530 (21)
Concrete Cast-in-place or Precast		m ³ (cu. yds.)	3.80 (5.0)
Reinf. Bars		kg (lbs.)	147 (324)
Galv. Steel Pipe		89 O.D. (3 1/2)	2 at 4.35 m (3'-3 1/4") 2 at (14'-3 1/4")



Sketch showing location and direction of box in relation to centerline of ditch.



PLAN OF REINFORCEMENT

GENERAL NOTES

All slope ratios are expressed as units of vertical displacement to units of horizontal displacement (V:H).

All dimensions are in millimeters (inches) unless otherwise shown.

DATE	REVISIONS
1-1-07	Soft converted metric rebar.
1-1-97	Renum. Standard 2332-6.

INLET BOX
TYPE 1200 (48) A

(Sheet 1 of 2)

STANDARD 542541-01

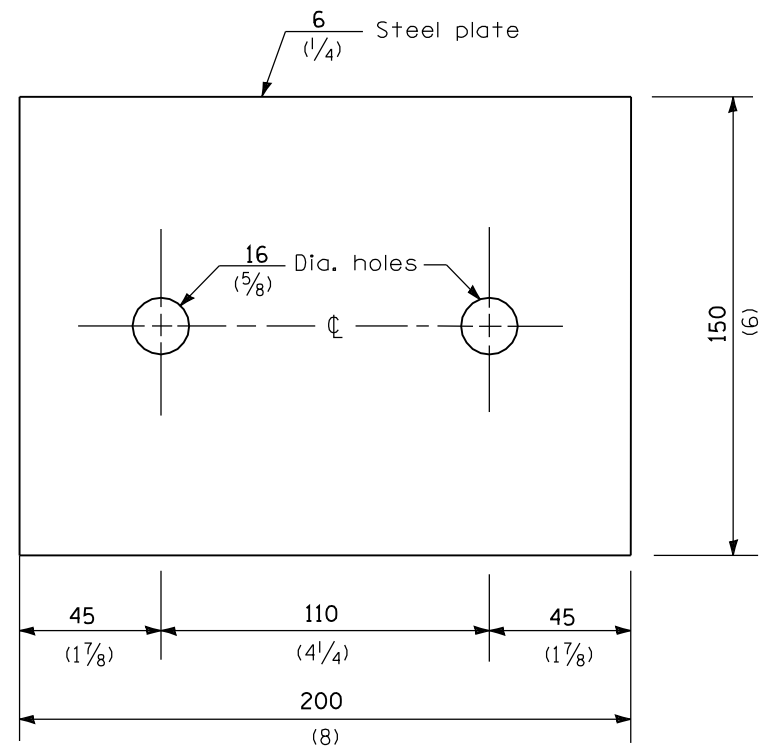
Illinois Department of Transportation

PASSED January 1, 2007

ENGINEER OF POLICY AND PROCEDURES

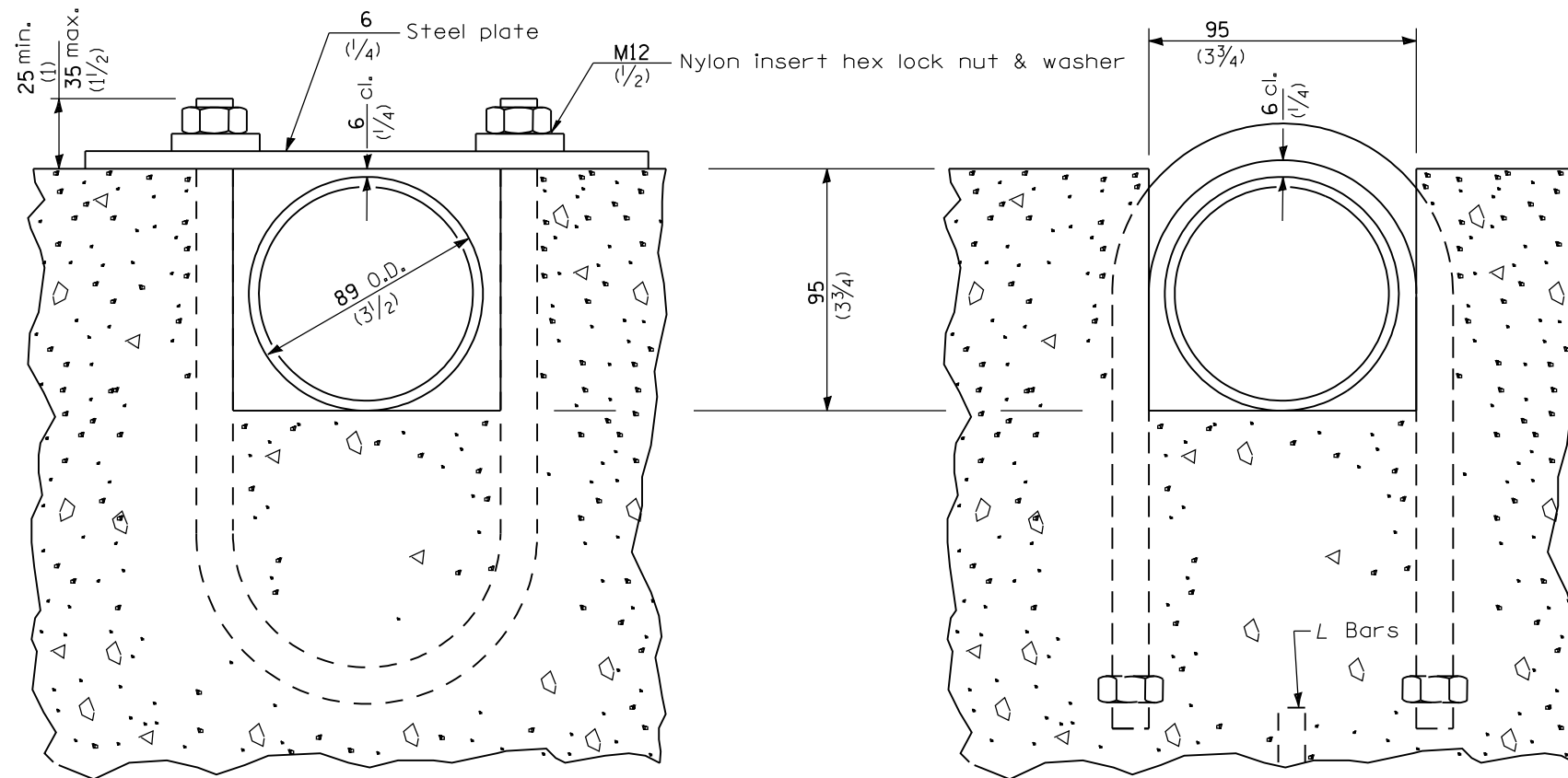
APPROVED January 1, 2007

ENGINEER OF DESIGN AND ENVIRONMENT



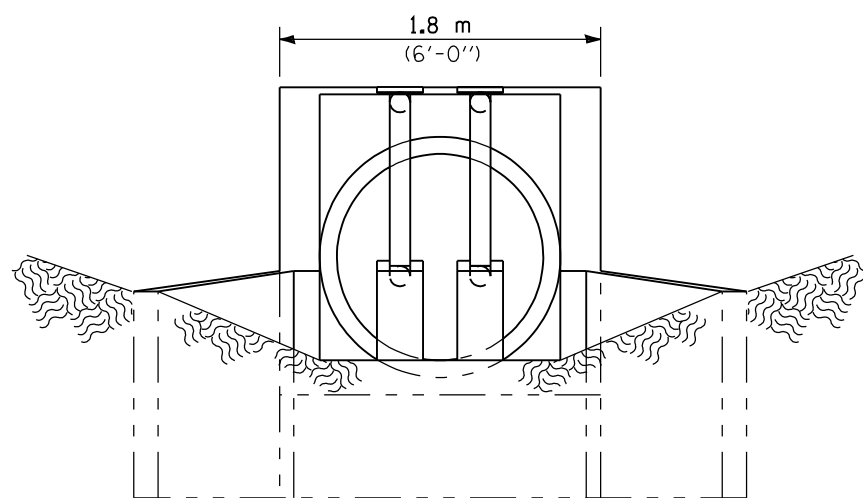
TOP ANCHOR PLATE

(2 - required)

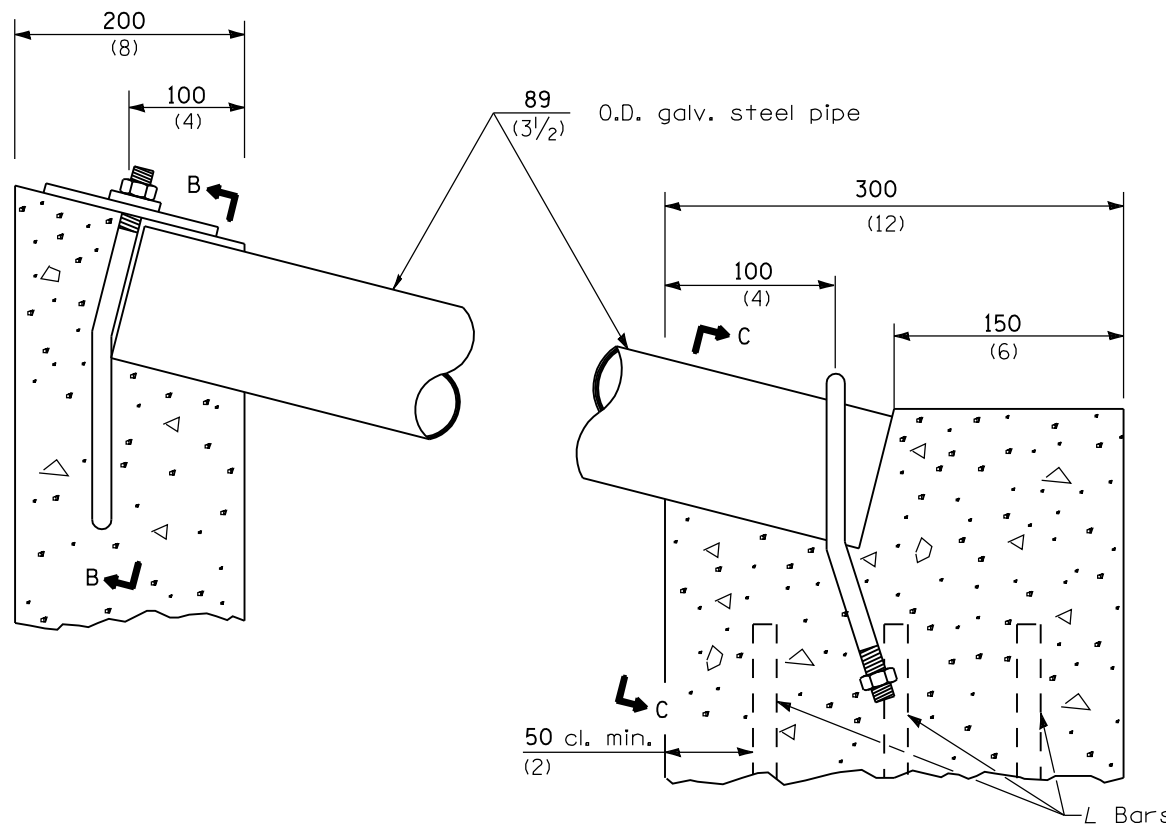


SECTION B-B

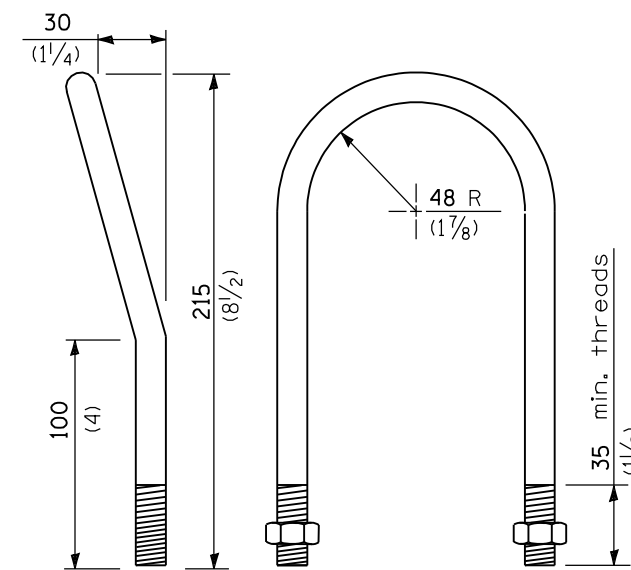
SECTION C-C



END VIEW



DETAIL AT BLOCKOUTS



M12 (1/2) U BOLT

(4 - required)

All dimensions are in millimeters (inches) unless otherwise shown.

**INLET BOX
TYPE 1200 (48) A**

(Sheet 2 of 2)

STANDARD 542541-01

Illinois Department of Transportation

PASSED January 1, 2007

ISSUED 1-1-97

ENGINEER OF POLICY AND PROCEDURES

APPROVED January 1, 2007

ENGINEER OF DESIGN AND ENVIRONMENT