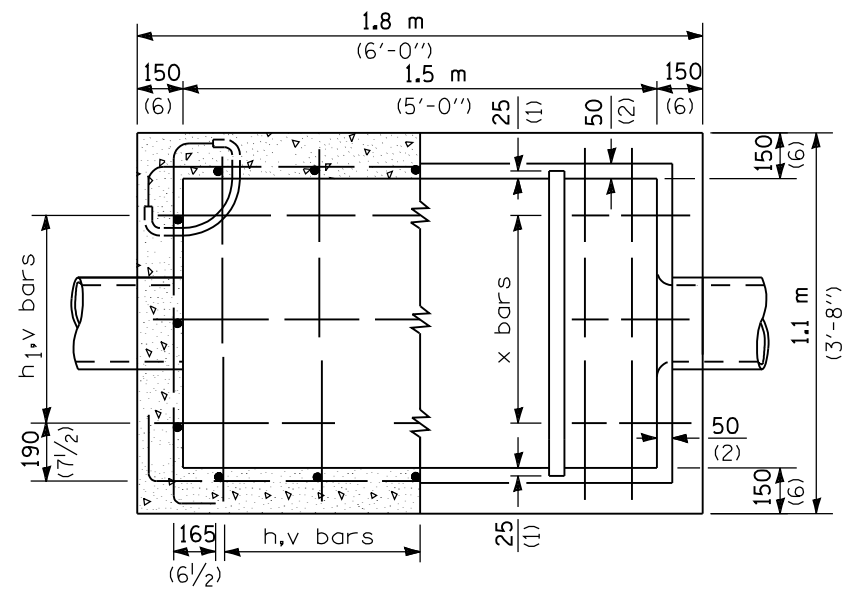


ELEVATION



SECTION A-A

(Grating removed to show plan of baffles.)

**MATERIALS REQUIRED FOR ONE (1)
TYPE B CATCH BASIN**

Bar	Qty.	Size	Shape	Length
h	7	No. 13 (No. 4)	—	1.02 m (3'-5")
h ₁	3	No. 13 (No. 4)	—	1.72 m (5'-9")
u	14	No. 13 (No. 4)	⌊	2.10 m (7'-0")
u ₁	14	No. 13 (No. 4)	⌊	1.35 m (4'-6")
v	16	No. 13 (No. 4)	—	2.02 m (6'-9")
x	3	No. 13 (No. 4)	⌊	0.58 m (1'-11")
Concrete			m ³ (cu. yd.)	1.90 (2.5)
Reinforcement bars			kg (lbs.)	95 (210)

All bars shall be at 300 (12) centers unless otherwise shown. Reinforcement bar clearance shall be 40 (1 1/2).

GENERAL NOTES

See Standard 602701 for details of steps.

All dimensions are in millimeters (inches) unless otherwise shown.

DATE	REVISIONS
1-1-07	Soft converted metric reinforcement bars.
1-1-97	Renum. Standard 1514-10.

**CATCH BASIN
TYPE B**

STANDARD 602006-01

Illinois Department of Transportation

PASSED January 1, 2007
Scott S. Hill
 ENGINEER OF POLICY AND PROCEDURES

APPROVED January 1, 2007
Michael L. Hume
 ENGINEER OF DESIGN AND ENVIRONMENT

ISSUED 1-1-07