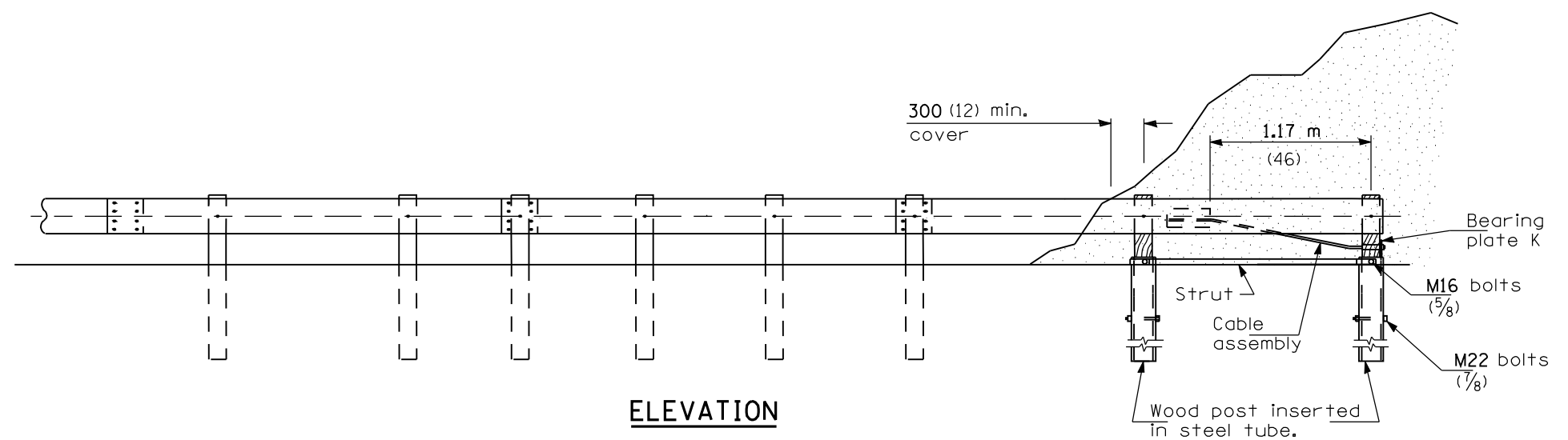
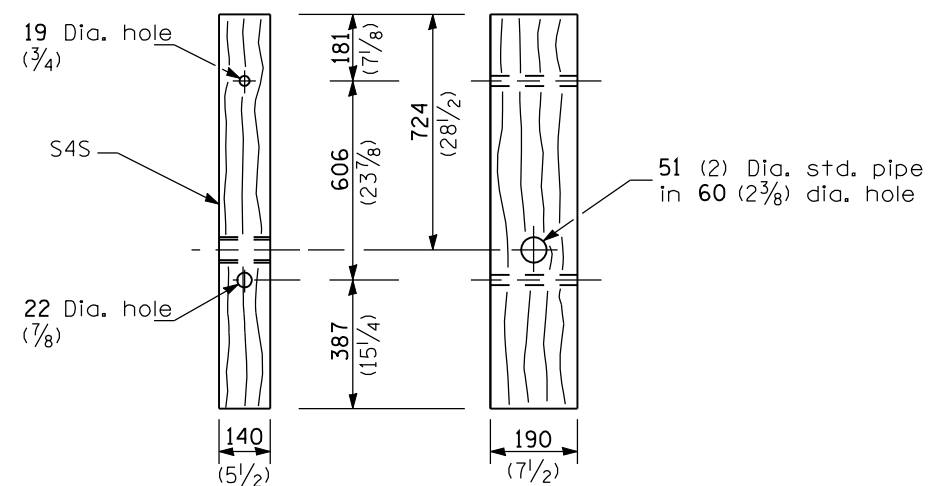


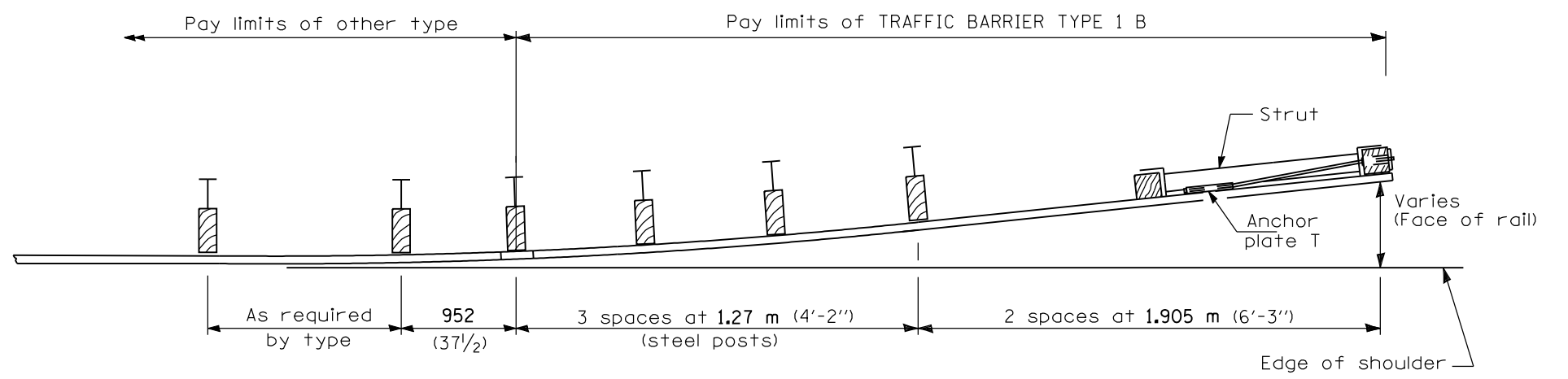
**BEARING PLATE K**



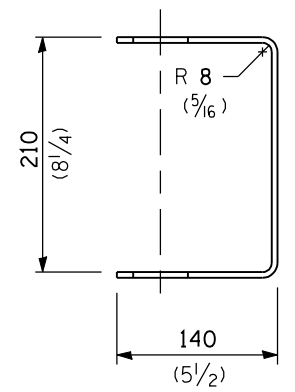
**ELEVATION**



**WOOD POST**

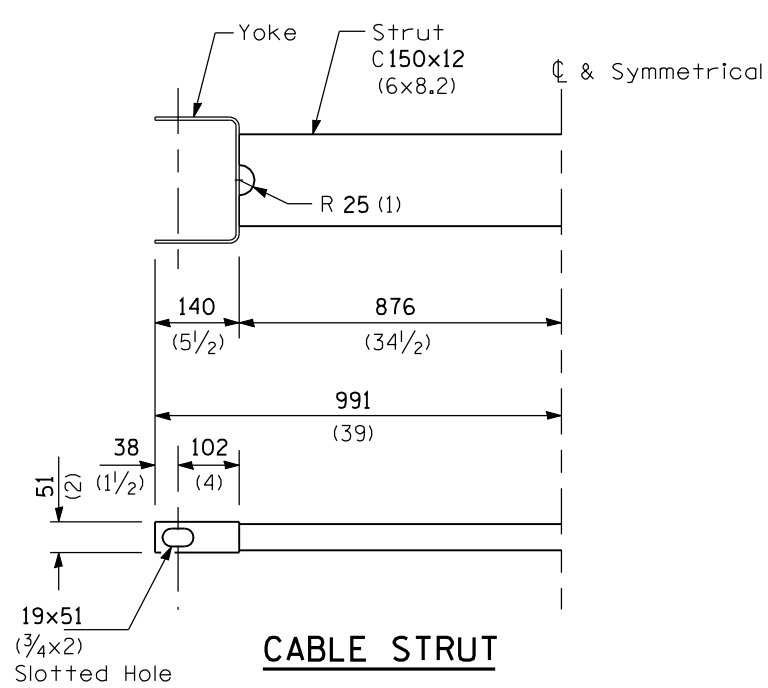


**PLAN**

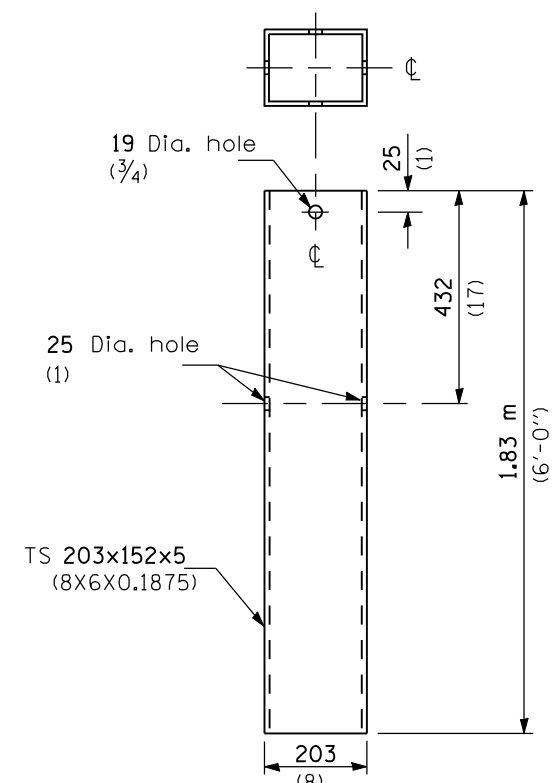


**YOKE**

5 (3/16) thick steel



**CABLE STRUT**



**STEEL TUBE**

**GENERAL NOTES**

See Standard 630001 for details of guardrail not shown.

The bearing plate K shall be held in position by (2) two eight penny nails driven into the post and bent over the top of the plate.

All dimensions are in millimeters (inches) unless otherwise shown.

DATE	REVISIONS
1-1-08	Removed Plate Washer F.
1-1-07	Changes adopted to implement the Midwest Guardrail System.

**TRAFFIC BARRIER TERMINAL, TYPE 1B**

**STANDARD 631006-05**

Illinois Department of Transportation  
 PASSED January 1, 2008  
 ENGINEER OF POLICY AND PROCEDURES  
 APPROVED January 1, 2008  
 ENGINEER OF DESIGN AND ENVIRONMENT