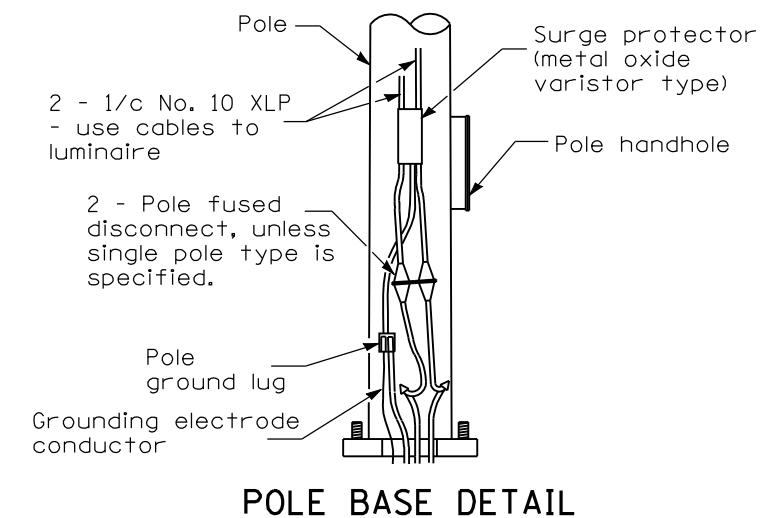
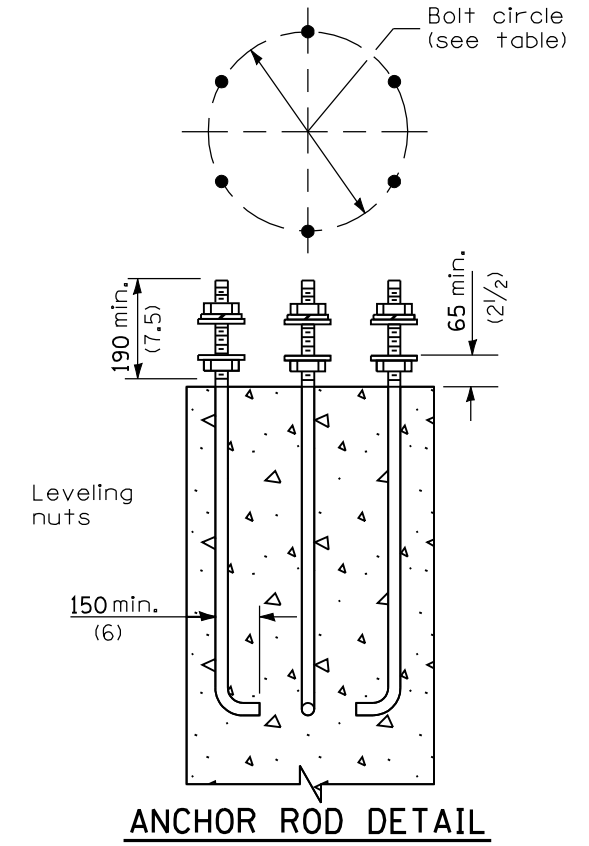
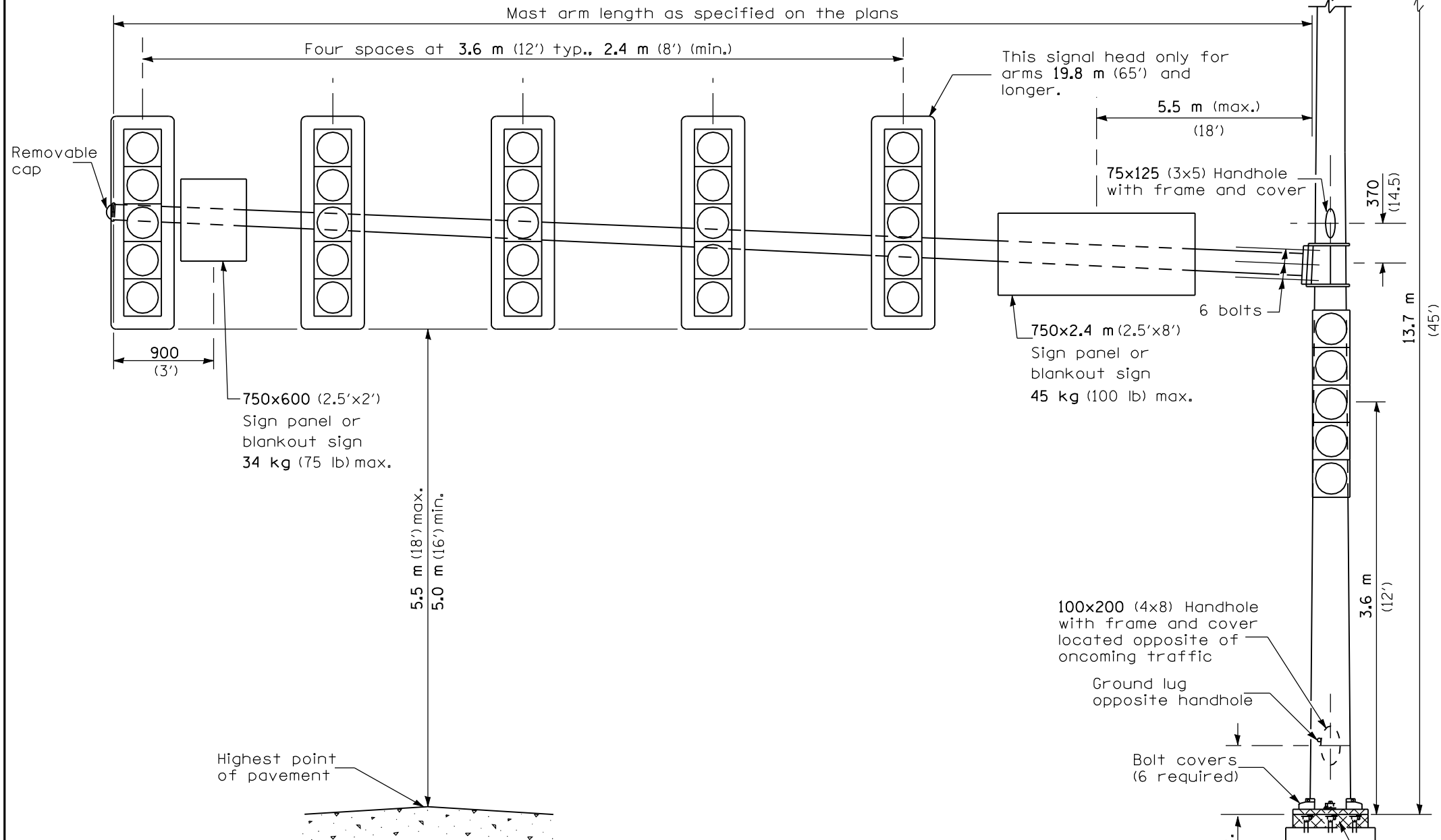
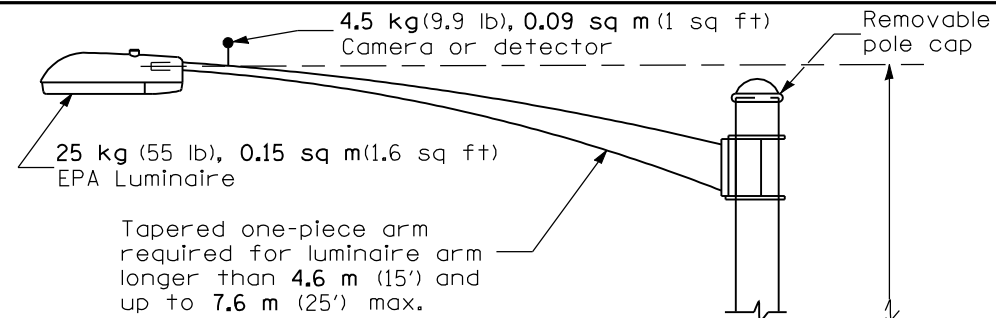


Note: The tenon top shall support a bullhorn fitting with two (twin) vertically mounted luminaires (clamp-mounted bullhorn assembly with removable pole cap acceptable). Each luminaire shall weigh 45 kg (100 lb) and have an effective projected (EPA) area of 0.36 sq m (3.85 sq ft).



GENERAL NOTES
 Signal heads, sign panels, and other attachments are shown for minimum design loading purposes only. Each signal head shall weigh 36 kg (80 lb) and have a projected area of 1.37 sq m (14.7 sq ft).
 All dimensions are in millimeters (inches) unless otherwise shown.

MAST ARM LENGTH	BOLT CIRCLE	ANCHOR ROD SIZE
17.1 m thru 19.8 m (56' thru 64')	610 (24)	44 x 2.10 m (1.75 x 84)
20.1 m thru 22.9 m (65' thru 75')	686 (27)	51 x 2.30 m (2.00 x 90)

DATE	REVISIONS
1-1-08	New standard.

STEEL COMB. MAST ARM ASSEMBLY AND POLE 56' THROUGH 75'
STANDARD 877012

Illinois Department of Transportation
 APPROVED January 1, 2008
 ENGINEER OF OPERATIONS
 APPROVED January 1, 2008
 ENGINEER OF DESIGN AND ENVIRONMENT