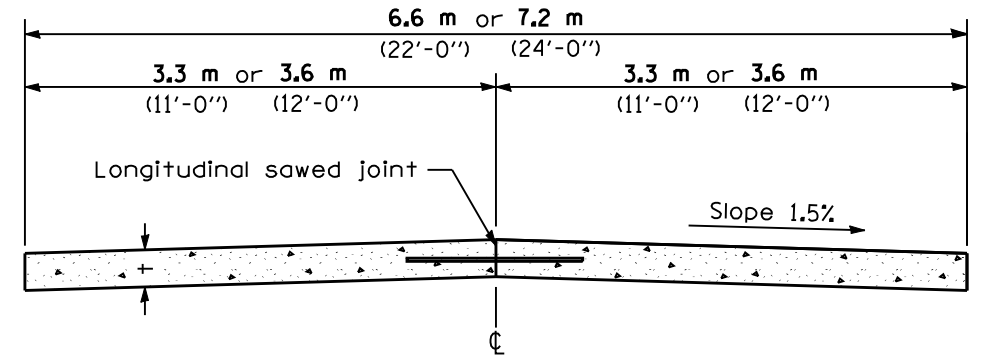
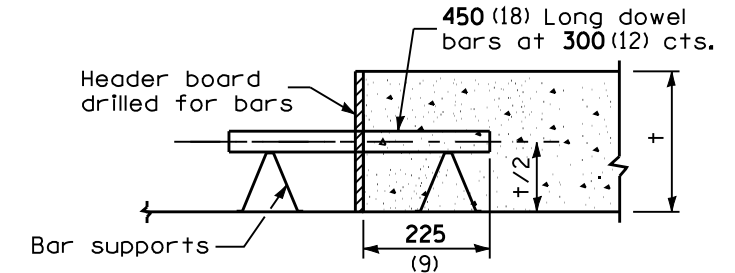


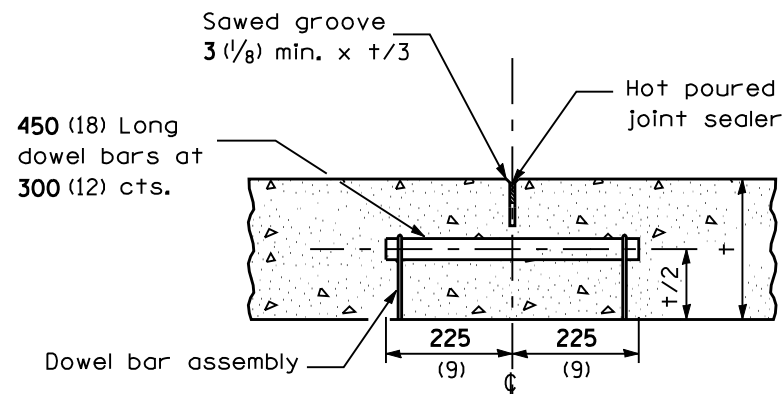
PLAN OF PAVEMENT



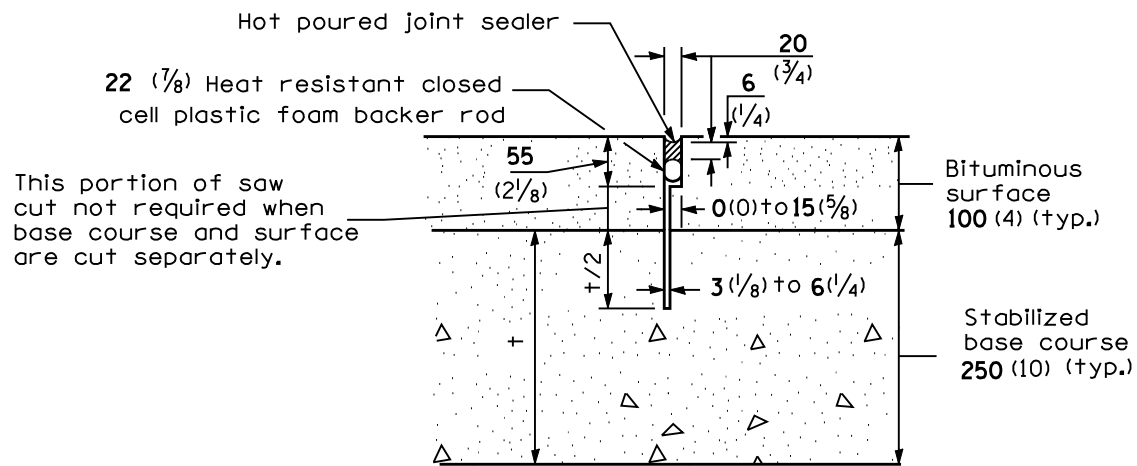
CROSS SECTION OF PAVEMENT



TRANSVERSE CONSTRUCTION JOINT



TRANSVERSE CONTRACTION JOINT



TRANSVERSE CONTRACTION JOINT

(For CAM, CFA and LFA Base Course Mixtures)

GENERAL NOTES

See Standard 420001 for details of Transverse Expansion Joints, Longitudinal Sawed Joints and Longitudinal Construction Joints.

Skewed joints shall be used when specified by Special Provisions.

t = Pavement thickness (See Typical Cross Section)

All dimensions are in millimeters (inches) unless otherwise shown.

DOWEL BAR TABLE	
PAVEMENT THICKNESS	DOWEL BAR DIAMETER
200 (8) or greater	38 (1 1/2)
175 (7) thru 199 (7,99)	32 (1 1/4)
Less than 175 (7)	25 (1)

DATE	REVISIONS
8-1-05	Deleted sheet 2 and minor corrections to remaining joint details.
1-1-05	Minor joint corrections and revised general notes.

PORTLAND CEMENT CONCRETE PAVEMENT (NONREINFORCED)

STANDARD B.L.R. 14-9

Illinois Department of Transportation

APPROVED August 1, 2005
Charles J. D'Amico
 ENGINEER OF LOCAL ROADS AND STREETS

APPROVED August 1, 2005
Michael J. Howe
 ENGINEER OF DESIGN AND ENVIRONMENT

ISSUED 15-1-1-1-17