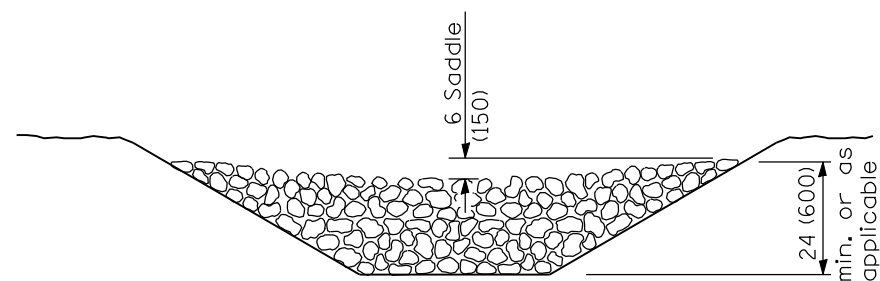


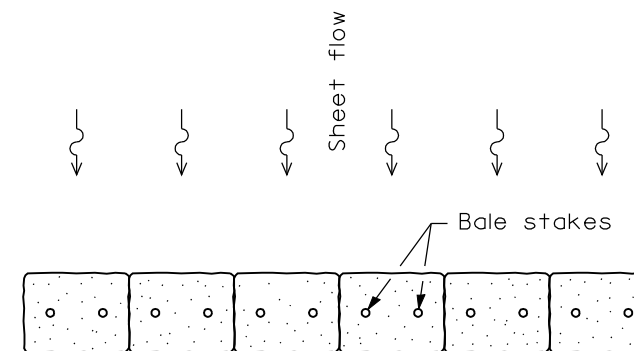
PLAN



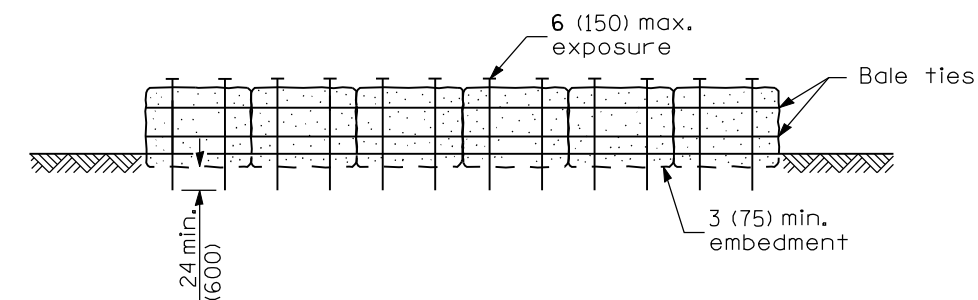
ELEVATION

AGGREGATE DITCH CHECK

* When the ditch check is within the clear zone and the road is open to traffic, the traffic approach slope of the aggregate shall be 1:4 (V:H).

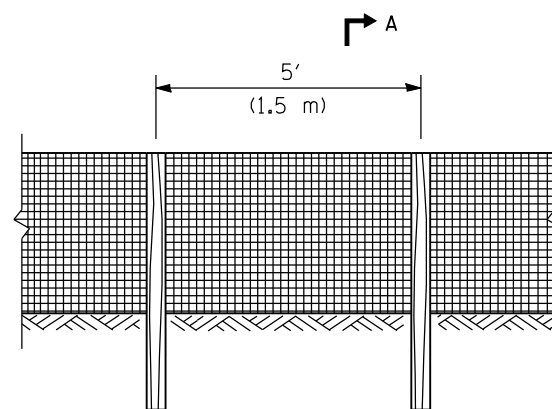


PLAN

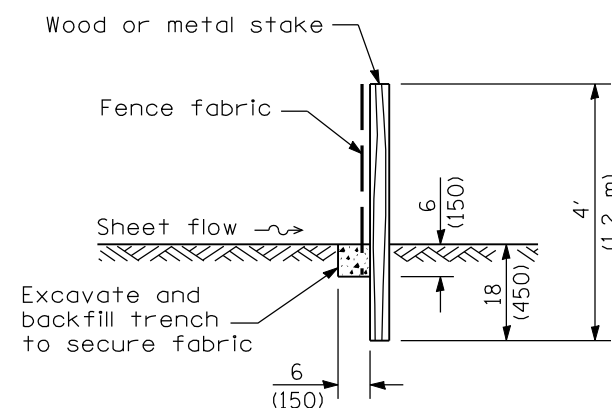


ELEVATION

HAY OR STRAW BALES AS A PERIMETER EROSION BARRIER



ELEVATION



SECTION A-A

SILT FILTER FENCE AS A PERIMETER EROSION BARRIER

GENERAL NOTES

The installation details and dimensions shown for perimeter erosion barriers shall also apply for inlet and pipe protection.

All dimensions are in inches (millimeters) unless otherwise shown.

DATE	REVISIONS
1-1-08	Switched units to English (metric) and rev. silt filter fence.
1-1-07	Removed 2 ditch check details and added 1 for perim. erosion barrier.

TEMPORARY EROSION CONTROL SYSTEMS

(Sheet 1 of 2)

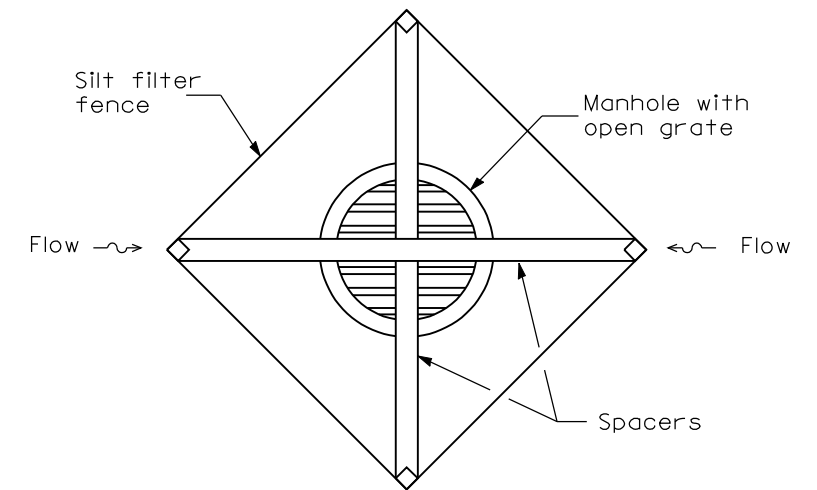
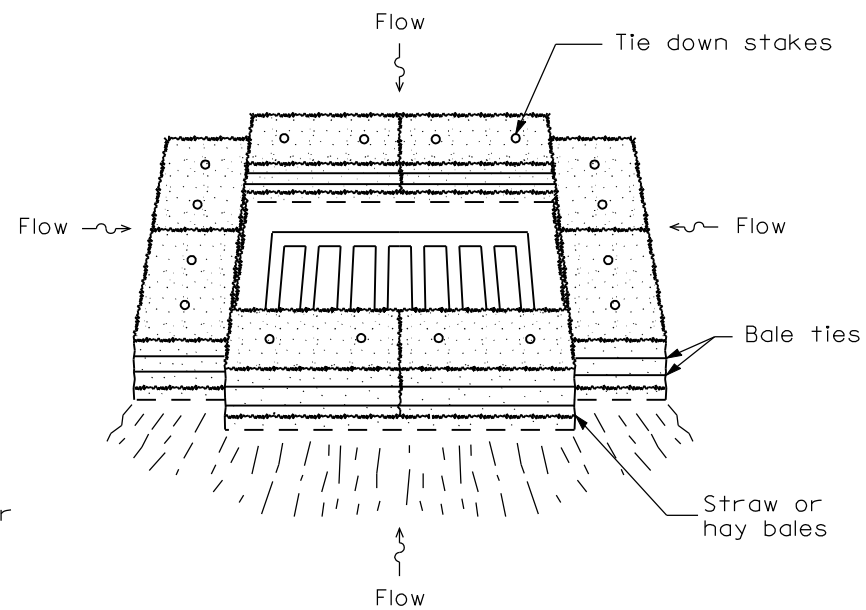
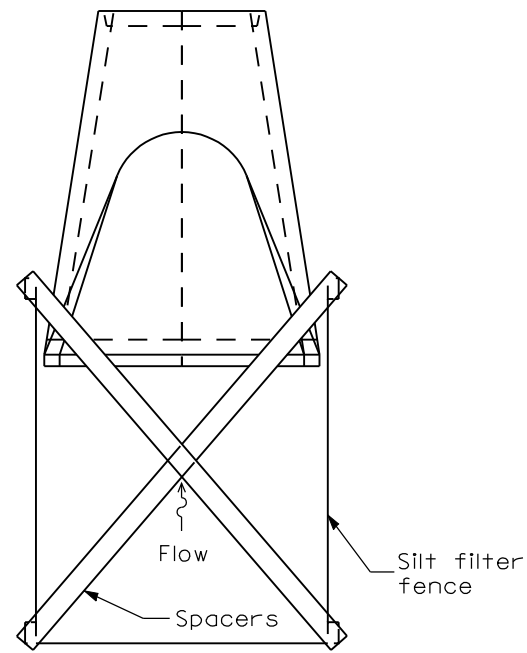
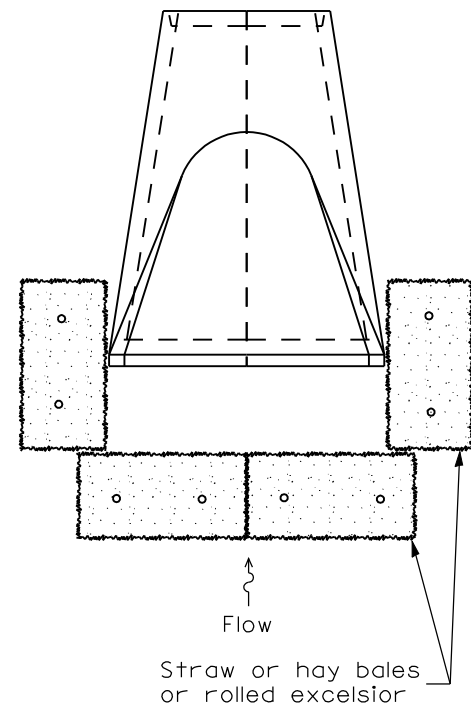
STANDARD 280001-04

Illinois Department of Transportation

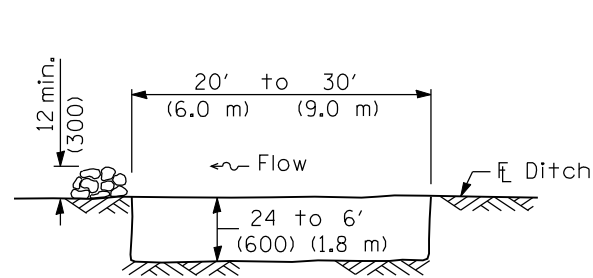
PASSED January 1, 2008
Santhosh
 ENGINEER OF POLICY AND PROCEDURES

APPROVED January 1, 2008
Ken E. Han
 ENGINEER OF DESIGN AND ENVIRONMENT

ISSUED 1-1-97

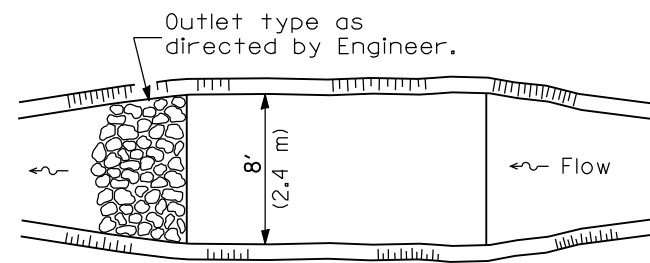


INLET AND PIPE PROTECTION



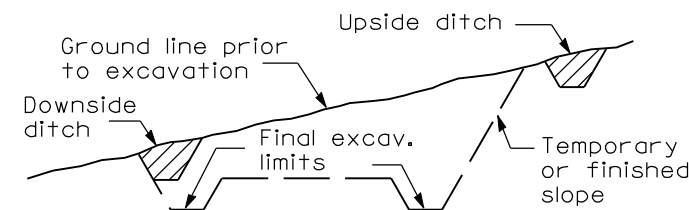
The performance of the basin will improve if put into a series.

ELEVATION

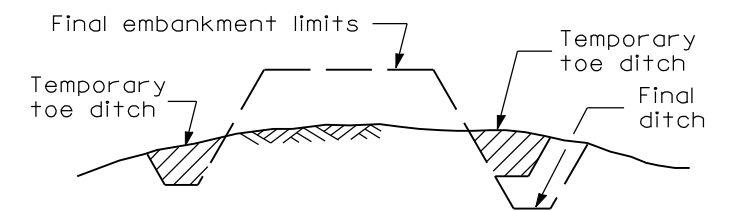


The long dimension should be parallel with the direction of the flow. Accumulated silt shall be removed anytime the basins become 75% filled.

PLAN



TYPICAL CUT CROSS-SECTION



TYPICAL FILL CROSS-SECTION

TEMPORARY DITCHES FOR CUT & FILL SECTIONS

SEDIMENT BASIN

Illinois Department of Transportation

PASSED January 1, 2008

ENGINEER OF POLICY AND PROCEDURES

APPROVED January 1, 2008

ENGINEER OF DESIGN AND ENVIRONMENT

ISSUED 1-1-97

TEMPORARY EROSION CONTROL SYSTEMS

(Sheet 2 of 2)

STANDARD 280001-04