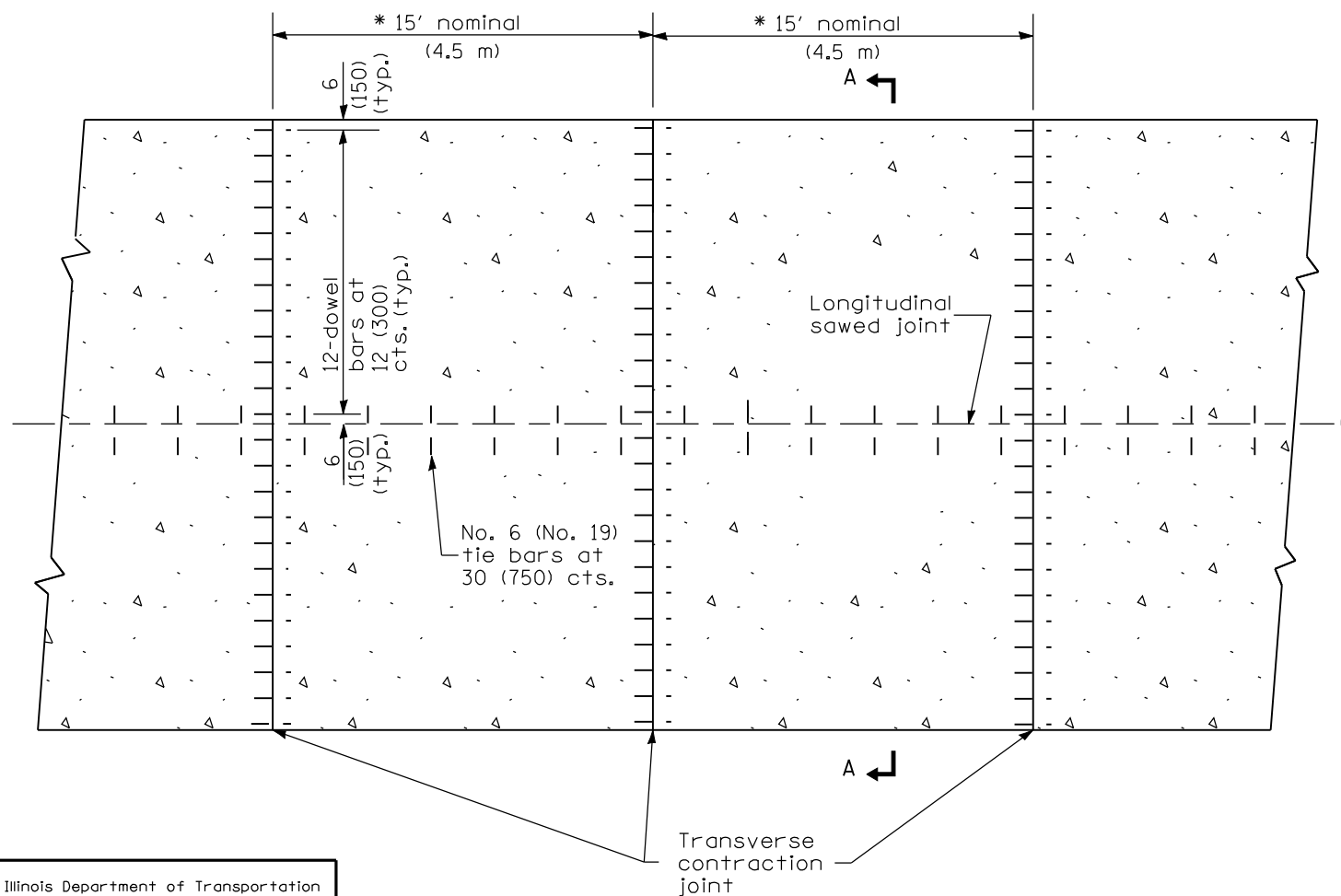
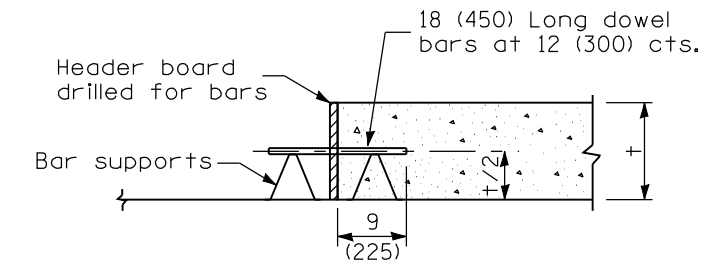


SECTION A-A
(TYPICAL 2-LANE WITH SHOULDERS)

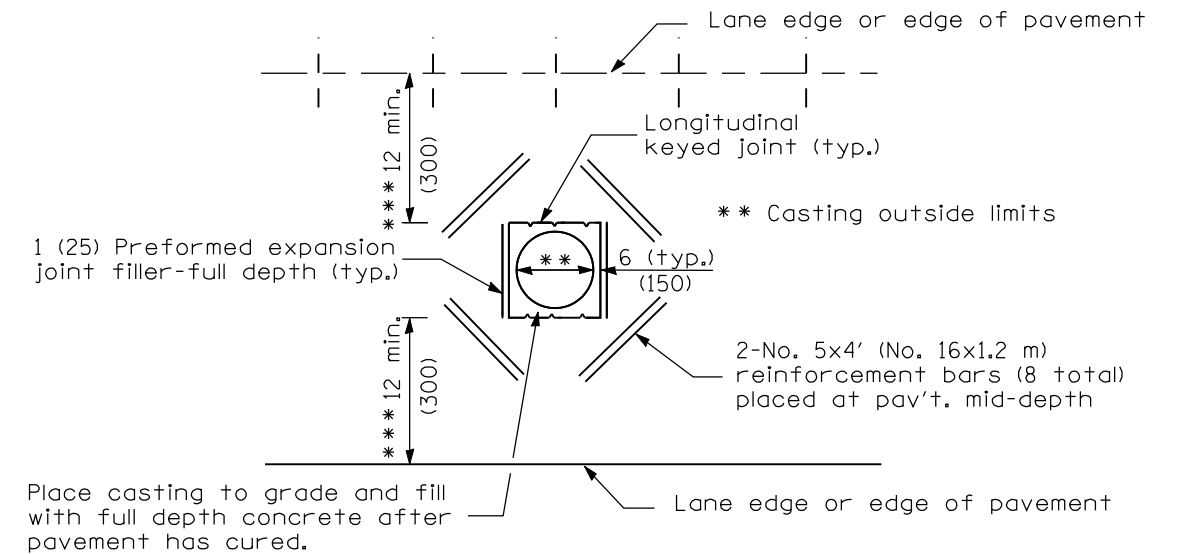
* The 15' (4.5 m) dimension shall be adjusted to 12' (3.6 m) min. to 18' (5.5 m) max. when placed adjacent to existing pcc pavement structure so that the joints are in prolongation.



PLAN



TRANSVERSE CONSTRUCTION JOINT



DETAIL OF ADDED REINFORCEMENT FOR PAVEMENT BLOCKS-OUTS

*** When the 12 (300) minimum cannot be achieved, the transverse joints shall be extended to either the longitudinal joint or edge of pavement.

GENERAL NOTES

See Standard 420001 for details of joints not shown.

All dimensions are in inches (millimeters) unless otherwise shown.

DATE	REVISIONS
1-1-08	Switched units to English (metric).
8-1-05	Added "Stabilized" to subbase and bar supports to constr. jt.

24' (7.2 m) JOINTED PCC PAVEMENT

STANDARD 420101-04

Illinois Department of Transportation

PASSED January 1, 2008
Scott Smith
 ENGINEER OF POLICY AND PROCEDURES

APPROVED January 1, 2008
Ken E. Han
 ENGINEER OF DESIGN AND ENVIRONMENT

ISSUED 1-1-97