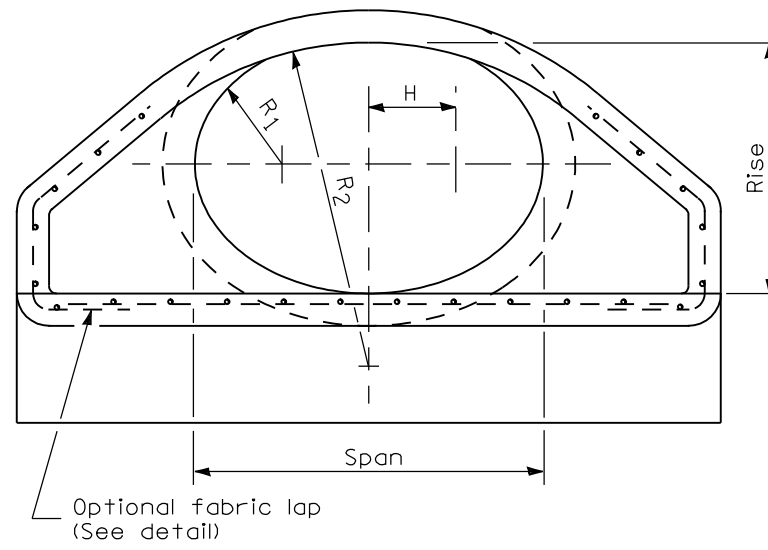
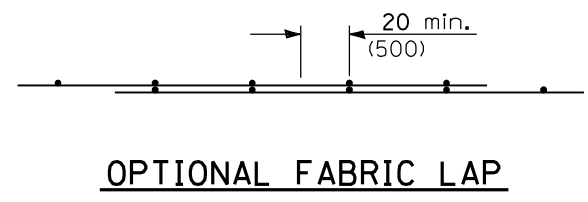


SECTION A-A

SPAN	RISE	EQUIV. DIA.	WALL T	A	B	C	D	E	H	R	R ₁	R ₂	APPROX. SLOPE
23 (584)	14 (356)	18 (450)	2 3/4 (70)	8 (203)	27 (686)	3'-9" (1.143 m)	6'-0" (1.829 m)	36 (914)	5 3/8 (137)	6 (152)	6 (152)	20 (508)	1:3.1
30 (762)	19 (483)	24 (600)	3 1/4 (83)	8 1/2 (216)	39 (991)	33 (838)	6'-0" (1.829 m)	4'-0" (1.219 m)	6 7/8 (175)	7 (178)	8 1/4 (210)	26 1/4 (667)	1:2.8
34 (864)	22 (559)	27 (675)	3 1/2 (89)	9 (229)	4'-0" (1.219 m)	24 (610)	6'-0" (1.829 m)	4'-6" (1.372 m)	7 3/4 (197)	8 (203)	9 1/4 (235)	29 1/4 (743)	1:2.9
38 (965)	24 (610)	30 (750)	3 1/2 (95)	9 1/2 (241)	4'-6" (1.372 m)	18 (475)	6'-0" (1.829 m)	5'-0" (1.524 m)	8 5/8 (219)	9 (229)	10 1/4 (260)	32 3/4 (832)	1:2.9
45 (1143)	29 (737)	36 (900)	4 1/2 (114)	11 1/4 (286)	5'-0" (1.524 m)	36 (914)	8'-0" (2.438 m)	6'-0" (1.829 m)	10 1/2 (267)	12 (305)	12 1/4 (311)	39 1/4 (997)	1:2.7
53 (1346)	34 (864)	42 (1050)	5 (127)	15 3/4 (400)	5'-0" (1.524 m)	36 (914)	8'-0" (2.438 m)	6'-6" (1.981 m)	12 1/8 (308)	13 (330)	14 1/2 (368)	3'-10" (1.168 m)	1:2.6
60 (1524)	38 (965)	48 (1200)	5 1/2 (140)	21 (533)	5'-0" (1.524 m)	36 (914)	8'-0" (2.438 m)	7'-0" (2.134 m)	13 1/2 (343)	14 (356)	16 1/2 (419)	4'-3 1/2" (1.308 m)	1:2.7
68 (1727)	43 (1092)	54 (1350)	6 (152)	26 (660)	5'-0" (1.524 m)	36 (914)	8'-0" (2.438 m)	7'-6" (2.286 m)	15 1/4 (387)	16 (406)	18 3/4 (476)	4'-10 1/2" (1.486 m)	1:2.6
76 (1930)	48 (1219)	60 (1500)	6 1/2 (165)	31 (787)	5'-0" (1.524 m)	36 (914)	8'-0" (2.438 m)	8'-0" (2.439 m)	17 (432)	18 (457)	20 3/4 (527)	5'-5" (1.651 m)	1:2.6



END VIEW



OPTIONAL FABRIC LAP

GENERAL NOTES

All slope ratios are expressed as units of vertical displacement to units of horizontal displacement (V:H).
 All dimensions are in inches (millimeters) unless otherwise shown.

Illinois Department of Transportation

APPROVED January 1, 2009
Ralph E. Anderson
 ENGINEER OF BRIDGES AND STRUCTURES

APPROVED January 1, 2009
Ken E. Han
 ENGINEER OF DESIGN AND ENVIRONMENT

ISSUED 1-1-97

DATE	REVISIONS
1-1-09	Switched units to English (metric).
1-1-07	Soft converted metric reinforcement bars.

PRECAST REINFORCED CONCRETE ELLIPTICAL FLARED END SECTION

STANDARD 542306-02