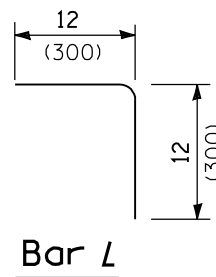


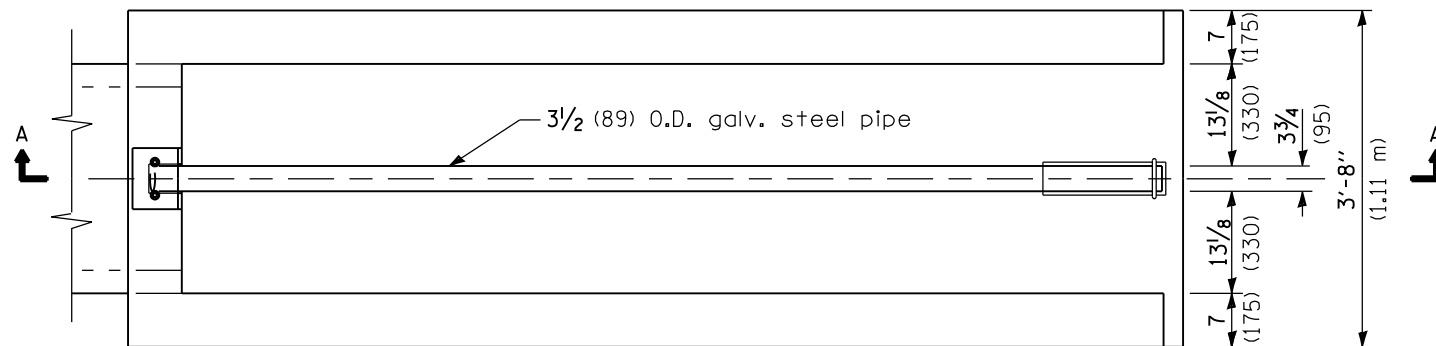
SECTION A-A

Material required for one inlet box

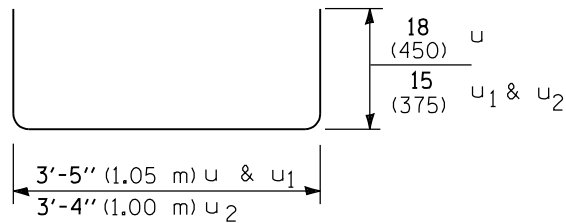
| Bar | Qty. | Size | Length |
|------------------|------|----------------------------|---------------------|
| h | 4 | No. 4 (No. 13) | 11'-0" (3.35 m) |
| h ₁ | 2 | No. 4 (No. 13) | 8'-0" (2.45 m) |
| h ₂ | 2 | No. 4 (No. 13) | 11'-4" (3.45 m) |
| L | 4 | No. 4 (No. 13) | 2'-0" (0.60 m) |
| u | 8 | No. 4 (No. 13) | 6'-5" (1.95 m) |
| u ₁ | 3 | No. 4 (No. 13) | 5'-11" (1.80 m) |
| u ₂ | 2 | No. 4 (No. 13) | 5'-10" (1.75 m) |
| v | 2 | No. 4 (No. 13) | 30 (760) |
| v ₁ | 2 | No. 4 (No. 13) | 27 (680) |
| v ₂ | 6 | No. 4 (No. 13) | 18 (460) |
| Concrete | | cu. yds. (m ³) | 1.6 (1.2) |
| Reinf. Bars | | lbs. (kg) | 127 (57.6) |
| Galv. Steel Pipe | | 3/2 (89) O.D. | 11'-1 1/8" (3.37 m) |



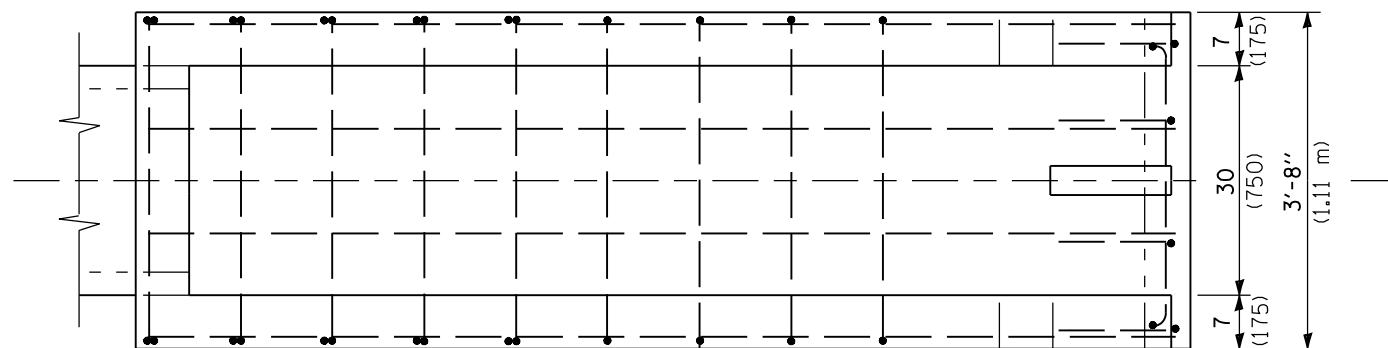
Bar L



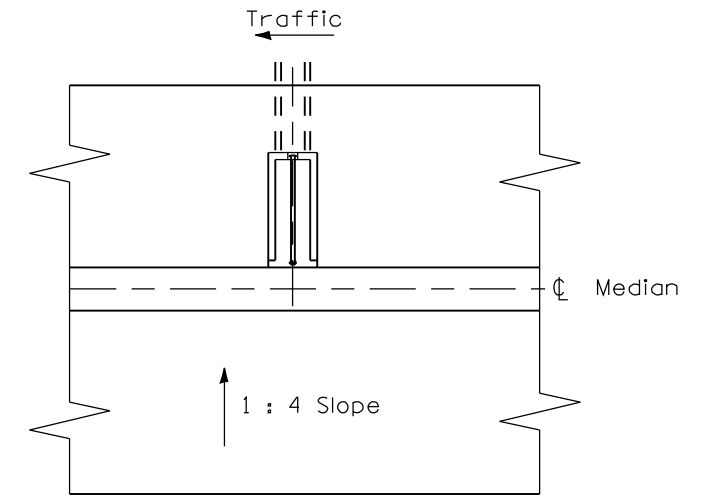
PLAN



Bars u, u₁ & u₂



PLAN OF REINFORCEMENT



Sketch showing location and direction of box in relation to median.

GENERAL NOTES

All slope ratios are expressed as units of vertical displacement to units of horizontal displacement (V:H).

All dimensions are in inches (millimeters) unless otherwise shown.

| DATE | REVISIONS |
|--------|---|
| 1-1-09 | Switched units to English (metric). |
| 1-1-07 | Soft converted metric reinforcement bars. |

**INLET BOX
TYPE 24 (600) B**

(Sheet 1 of 2)

STANDARD 542506-02

Illinois Department of Transportation

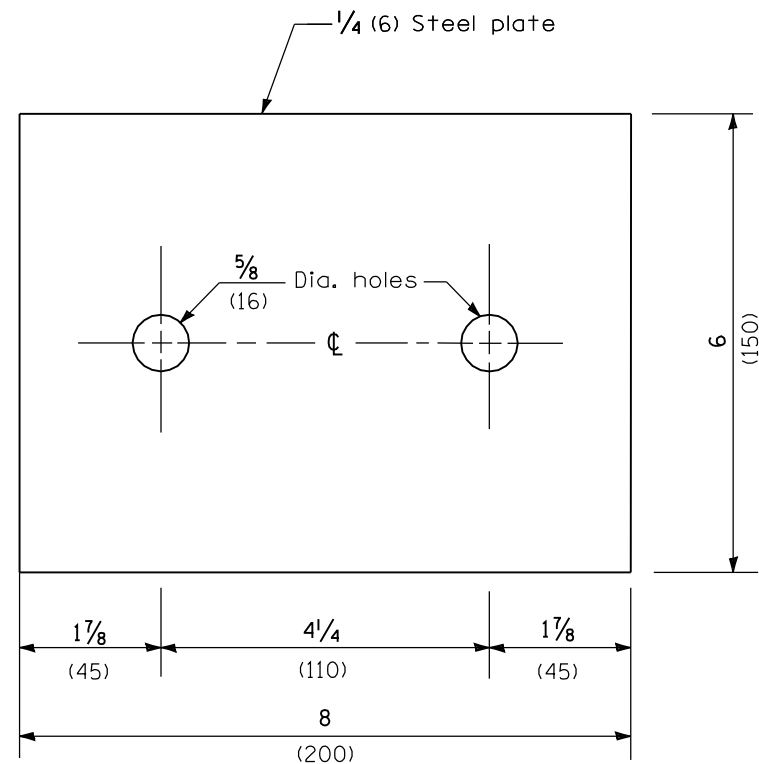
PASSED January 1, 2009

ENGINEER OF POLICY AND PROCEDURES

APPROVED January 1, 2009

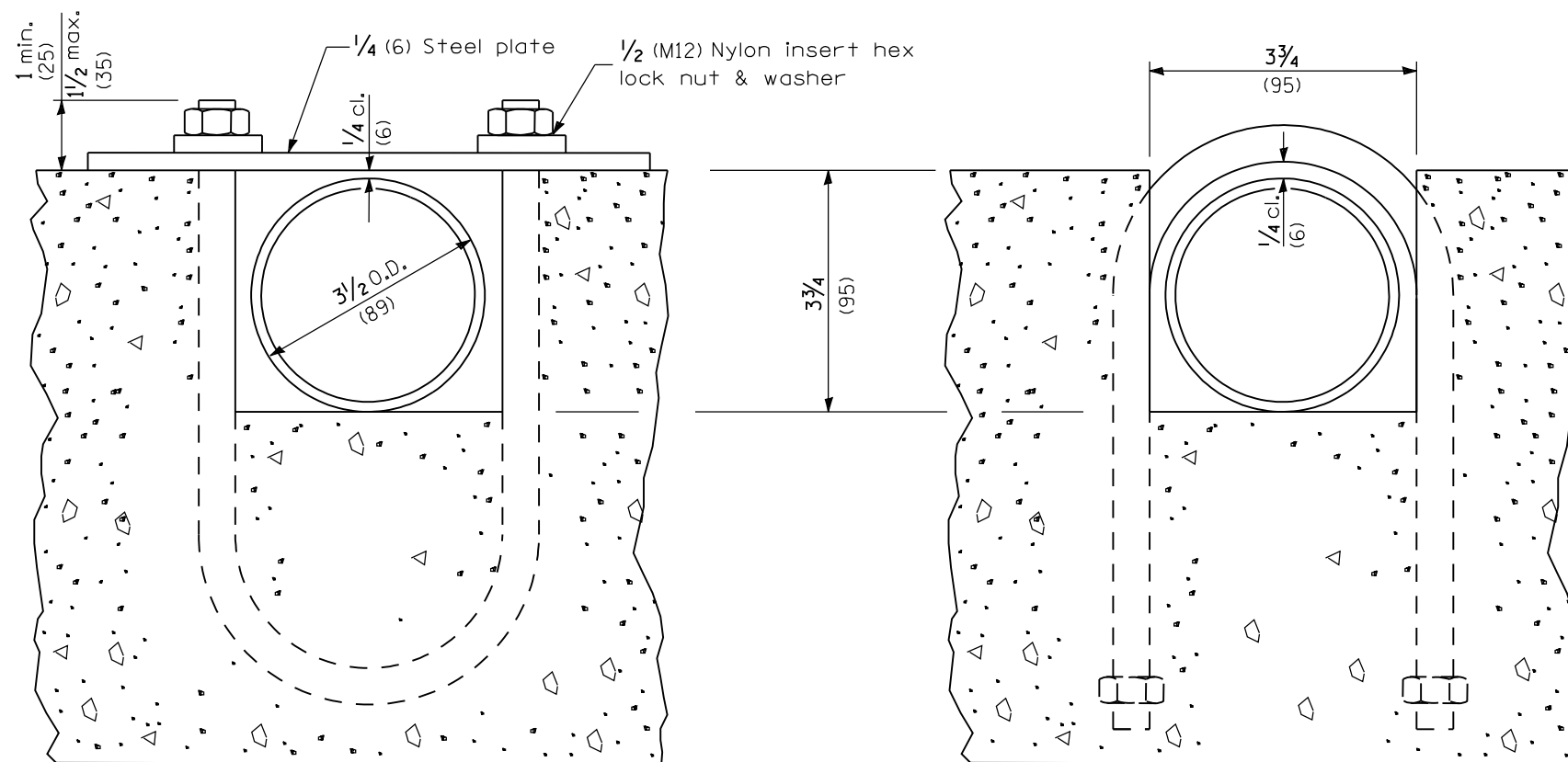
ENGINEER OF DESIGN AND ENVIRONMENT

ISSUED 1-1-09



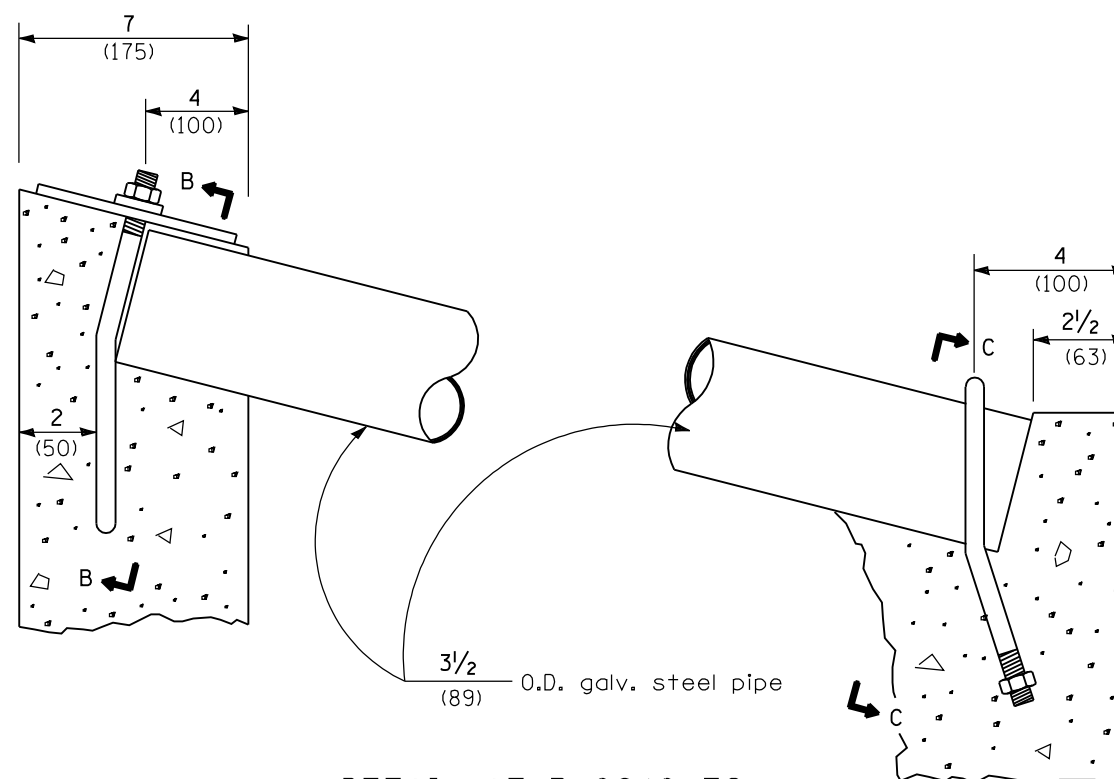
TOP ANCHOR PLATE

(1 - required)

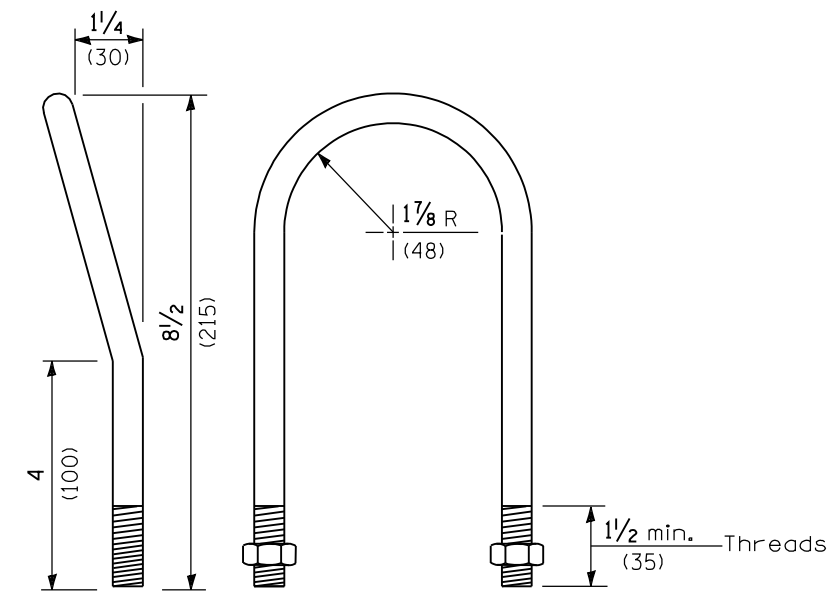


SECTION B-B

SECTION C-C



DETAIL AT BLOCKOUTS



1/2 (M12) U BOLT

(2 - required)

Illinois Department of Transportation
 PASSED January 1, 2009
 ENGINEER OF POLICY AND PROCEDURES
 APPROVED January 1, 2009
 ENGINEER OF DESIGN AND ENVIRONMENT

ISSUED 1-1-97

**INLET BOX
 TYPE 24 (600) B**

(Sheet 2 of 2)

STANDARD 542506-02