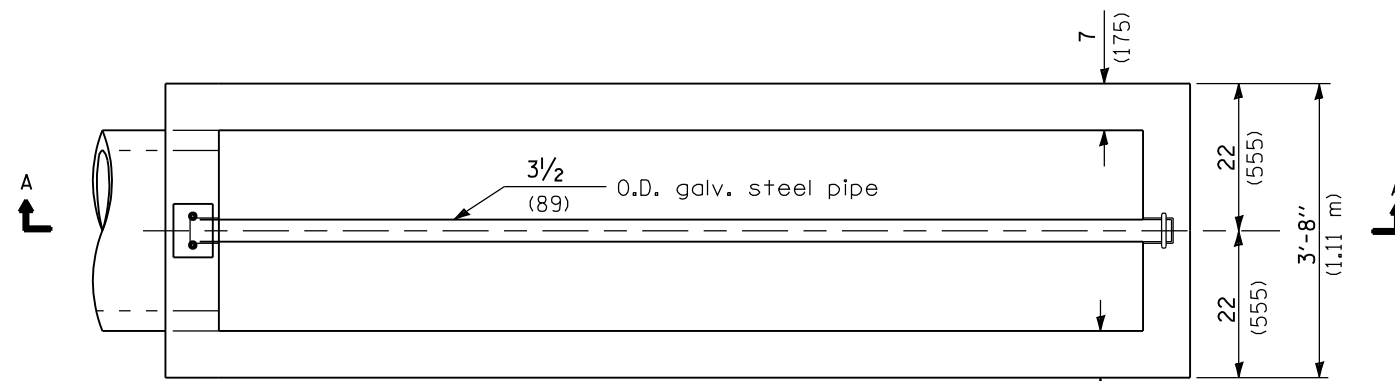
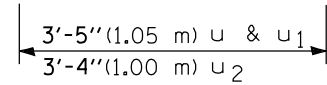
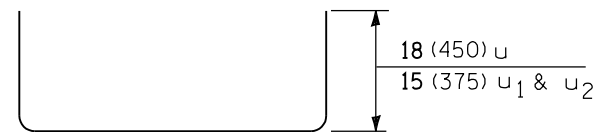


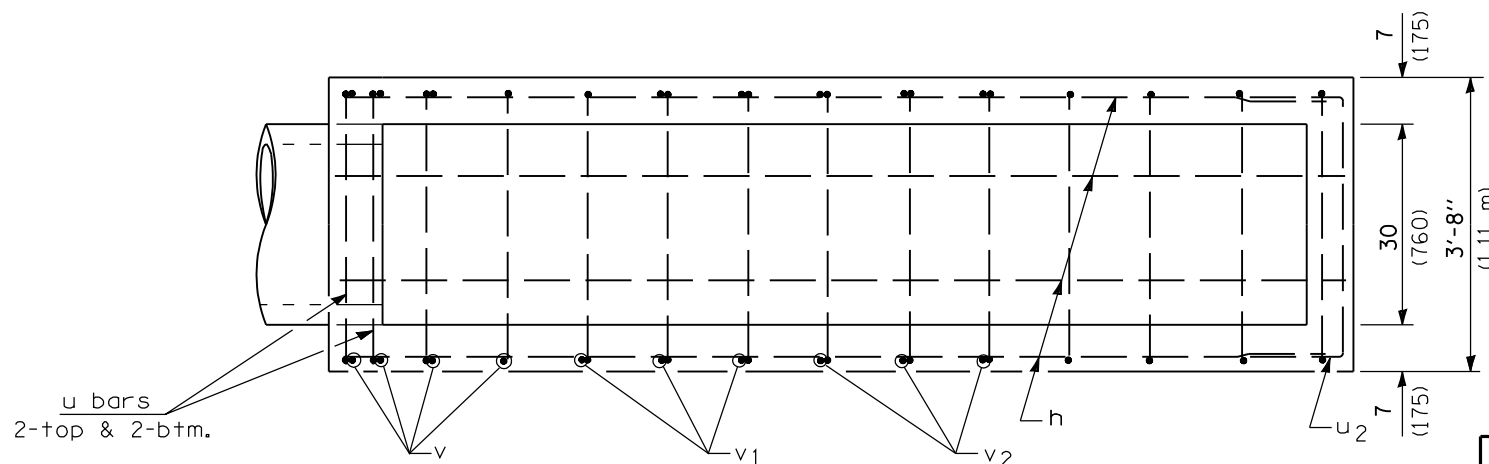
SECTION A-A



PLAN



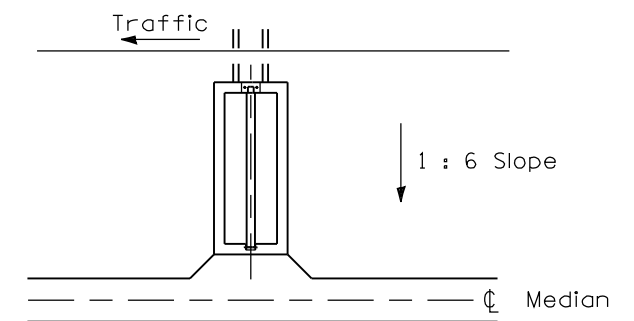
Bars u, u₁ & u₂



PLAN OF REINFORCEMENT

Material required for one inlet box

Bar	Qty.	Size	Length
h	10	No. 4 (No. 13)	12'-0" (3.65 m)
u	13	No. 4 (No. 13)	6'-5" (1.95 m)
u ₁	3	No. 4 (No. 13)	5'-11" (1.80 m)
u ₂	2	No. 4 (No. 13)	5'-10" (1.75 m)
v	8	No. 4 (No. 13)	30 (760)
v ₁	6	No. 4 (No. 13)	24 (610)
v ₂	6	No. 4 (No. 13)	18 (460)
Concrete		cu. yds. (m ³)	1.9 (1.45)
Reinf. Bars		lbs. (kg)	83 (183)
Galv. Steel Pipe		3/2 O.D. (89)	12'-2 1/4" (3.71 m)



Sketch showing location and direction of box in relation to median.

GENERAL NOTES

All slope ratios are expressed as units of vertical displacement to units of horizontal displacement (V:H).

All dimensions are in inches (millimeters) unless otherwise shown.

DATE	REVISIONS
1-1-09	Switched units to English (metric).
1-1-07	Soft converted metric reinforcement bars.

**INLET BOX
TYPE 24 (600) C**

(Sheet 1 of 2)

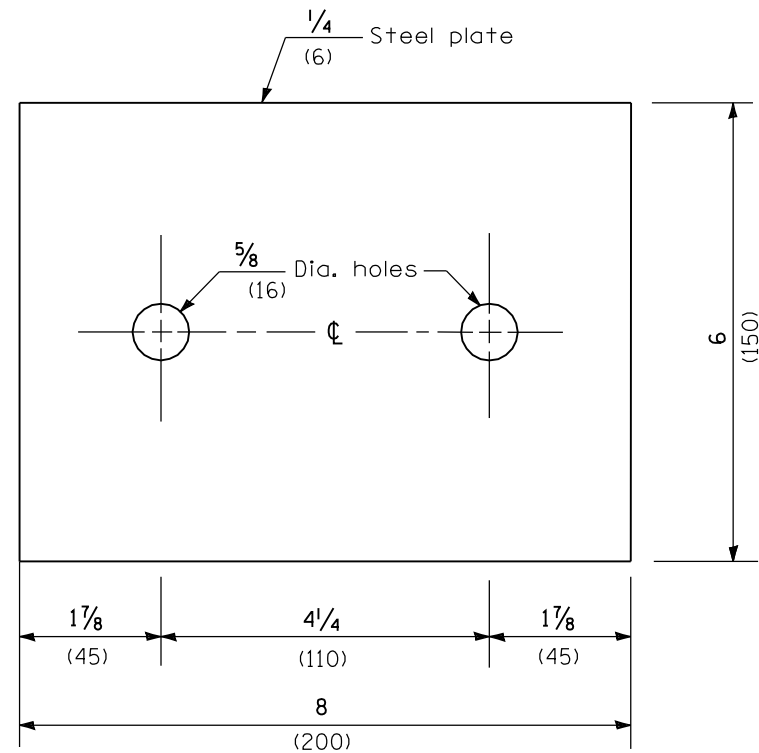
STANDARD 542511-02

Illinois Department of Transportation

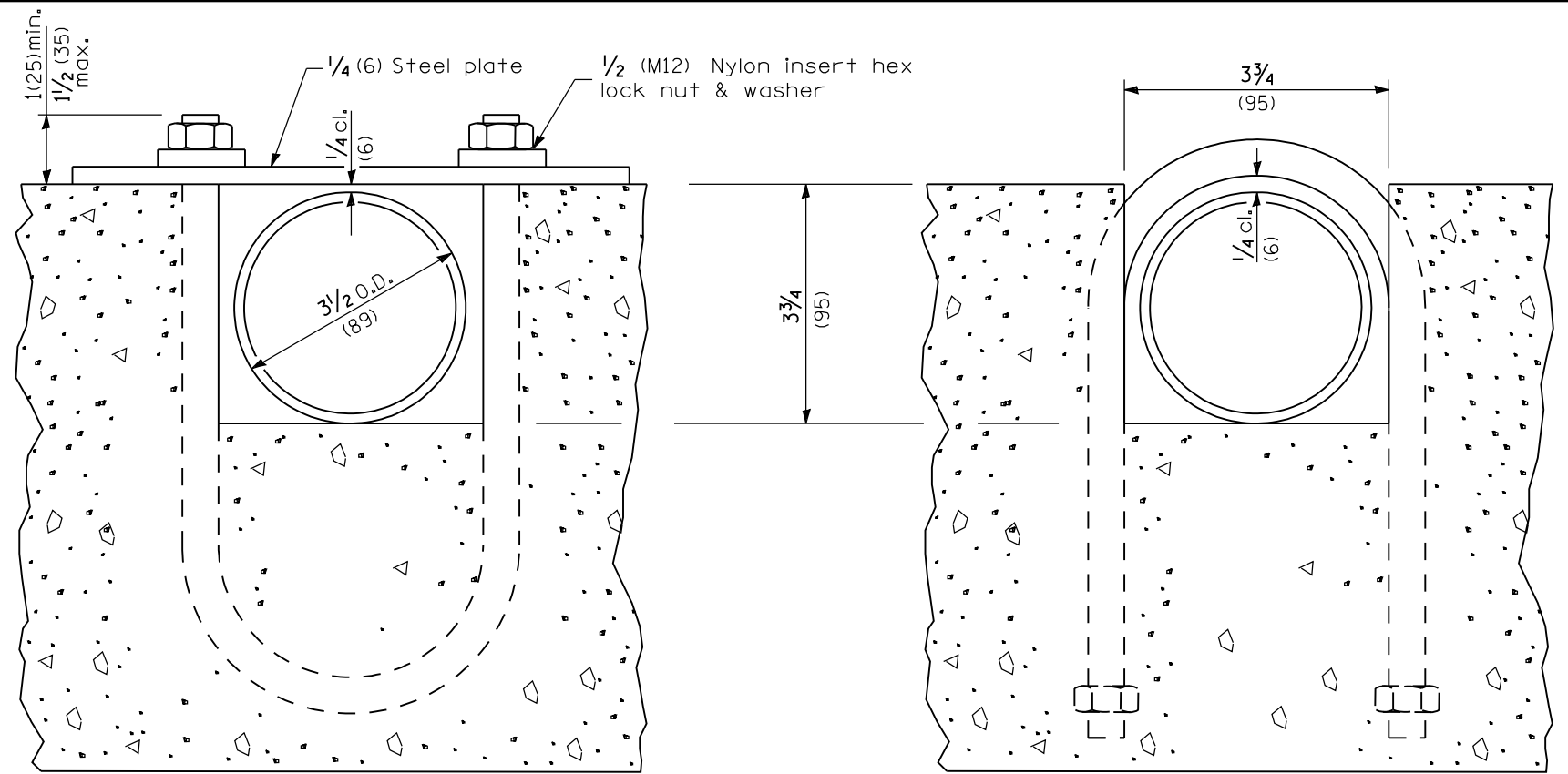
PASSED January 1, 2009
 ISSUED 1-1-07

ENGINEER OF POLICY AND PROCEDURES

APPROVED January 1, 2009
 ENGINEER OF DESIGN AND ENVIRONMENT

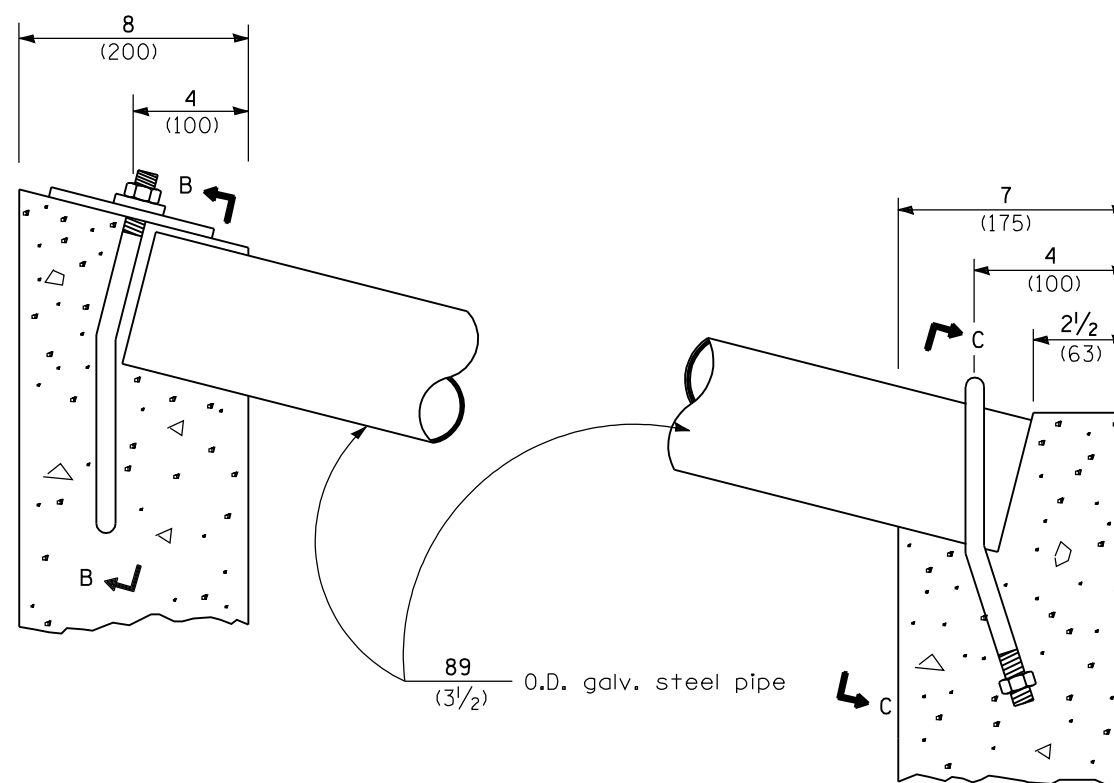


TOP ANCHOR PLATE
(1 - required)

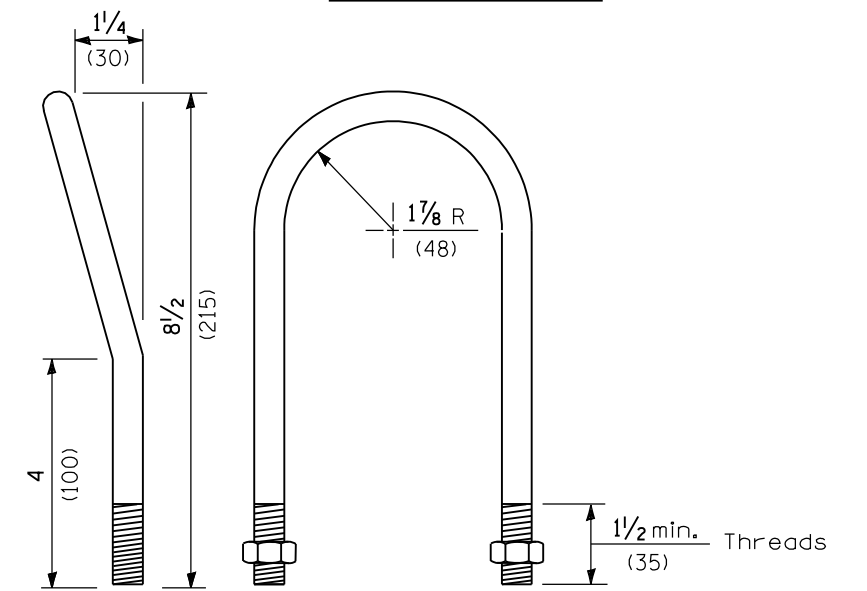


SECTION B-B

SECTION C-C



DETAIL AT BLOCKOUTS



1/2 (M12) U BOLT
(2 - required)

Illinois Department of Transportation

PASSED January 1, 2009

ENGINEER OF POLICY AND PROCEDURES

APPROVED January 1, 2009

ENGINEER OF DESIGN AND ENVIRONMENT

ISSUED 1-1-97

**INLET BOX
TYPE 24 (600) C**

(Sheet 2 of 2)

STANDARD 542511-02