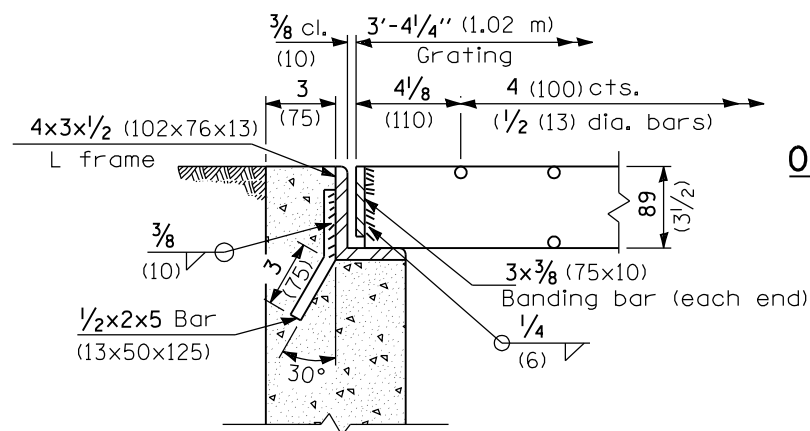
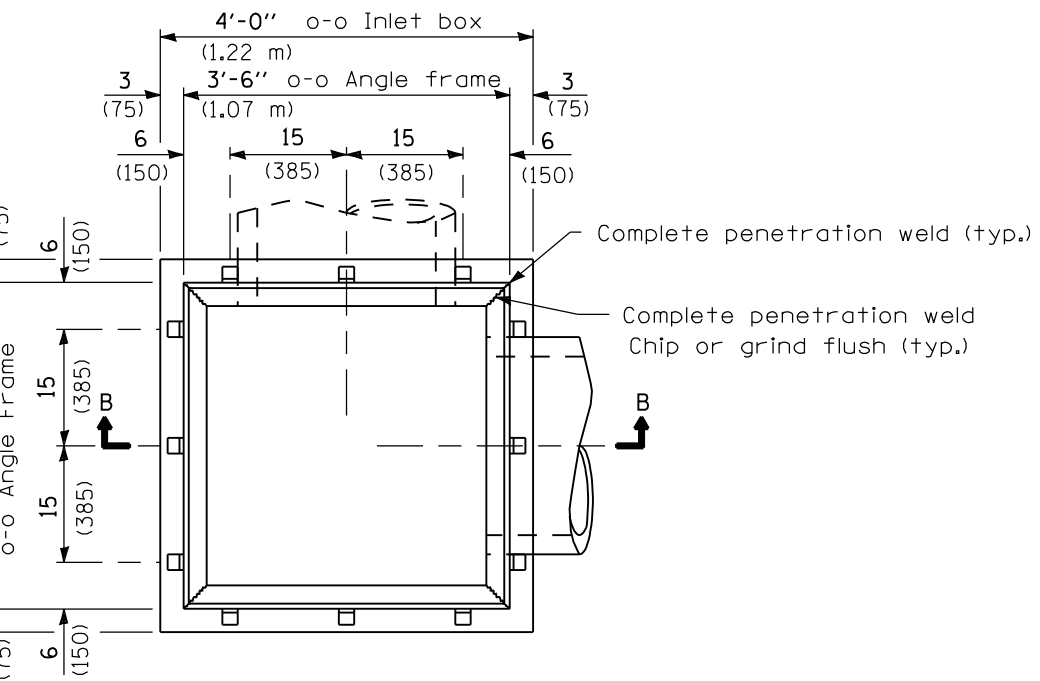
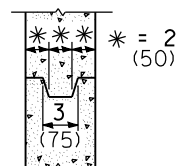


SECTION A-A



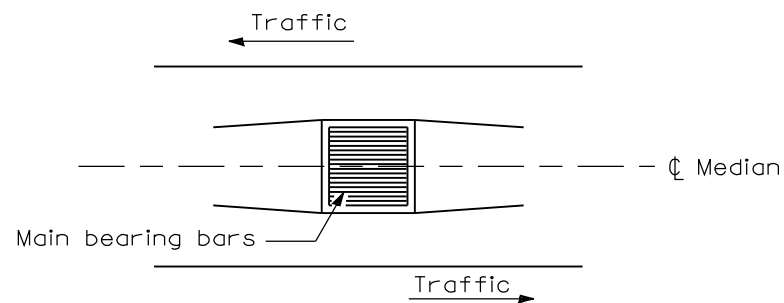
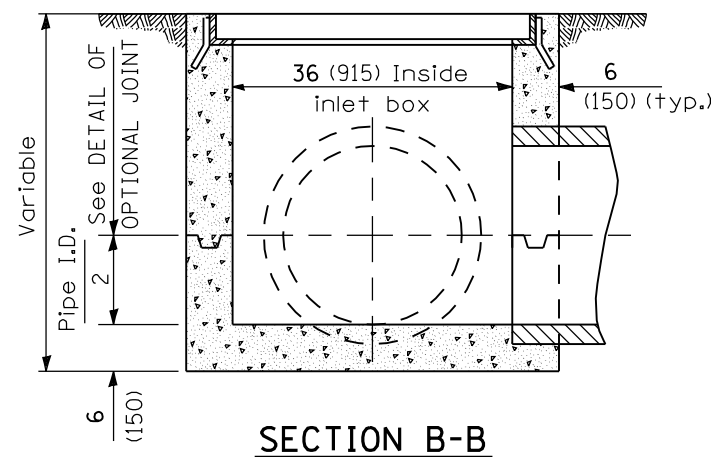
STEEL FRAME & GRATE

DETAIL of
OPTIONAL JOINT

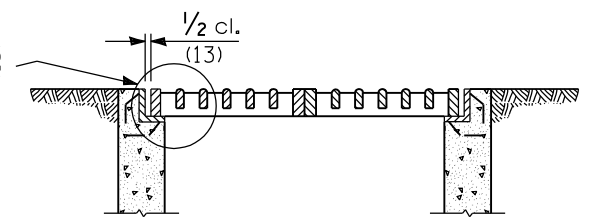
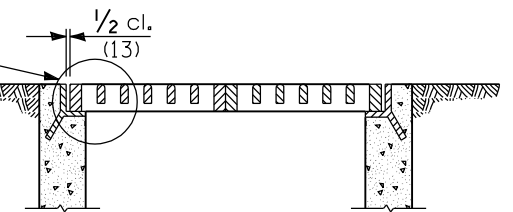
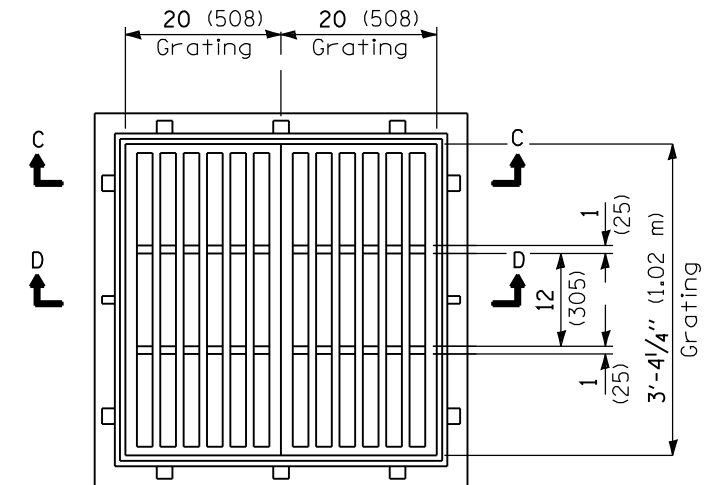


PLAN

(Grating omitted for clarity)



Sketch showing location and direction of
main bearing bars in relation to ϕ median



SECTION D-D
CAST FRAME & GRATE

All dimensions are in inches (millimeters)
unless otherwise shown.

DATE	REVISIONS
1-1-09	Switched units to English (metric).
1-1-97	Renum. Standard 2240-6.

FLUSH INLET BOX
FOR MEDIAN

STANDARD 542546-01

Illinois Department of Transportation

PASSED January 1, 2009

ENGINEER OF POLICY AND PROCEDURES

APPROVED January 1, 2009

ENGINEER OF DESIGN AND ENVIRONMENT

ISSUED 1-1-97