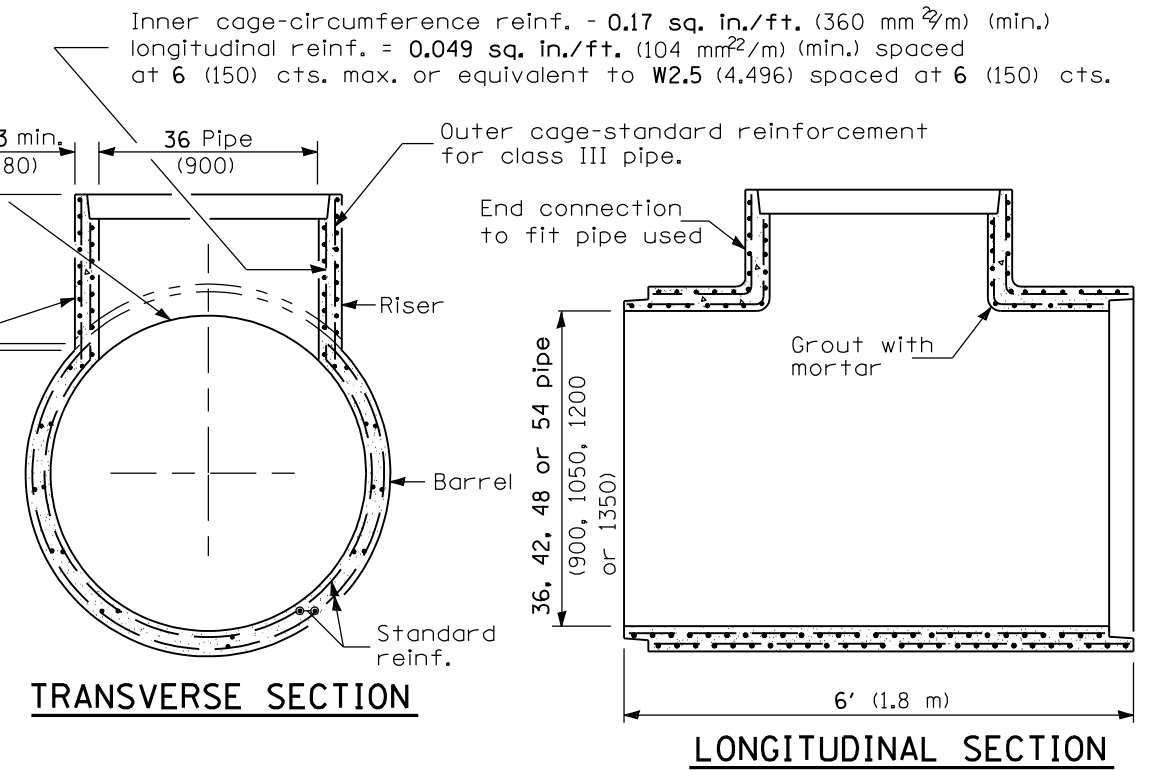
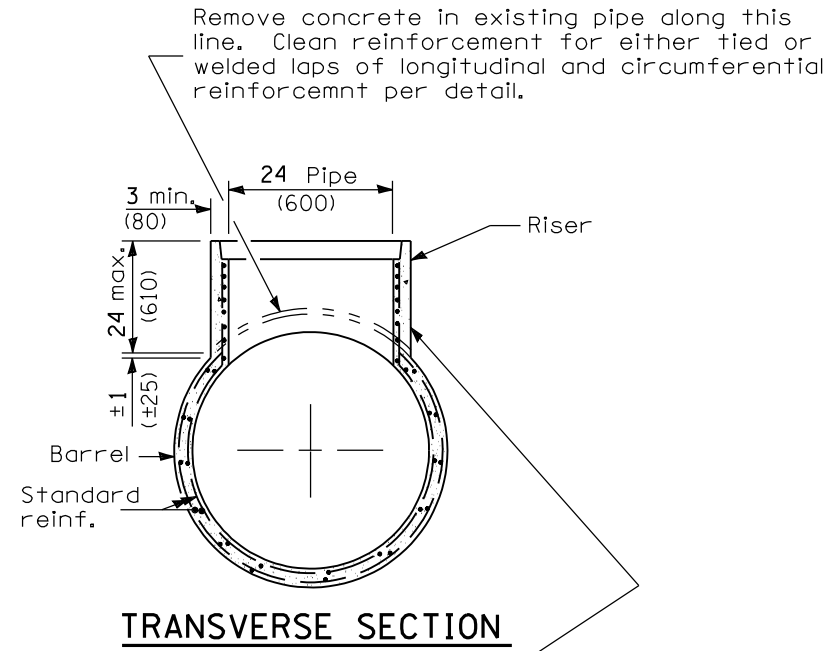
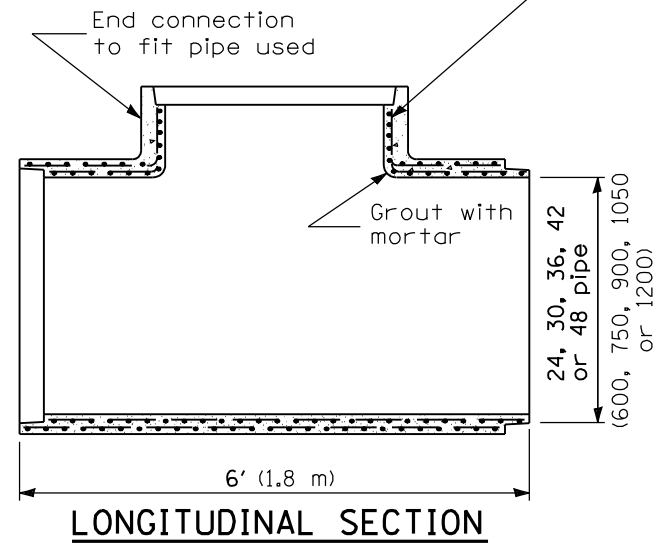
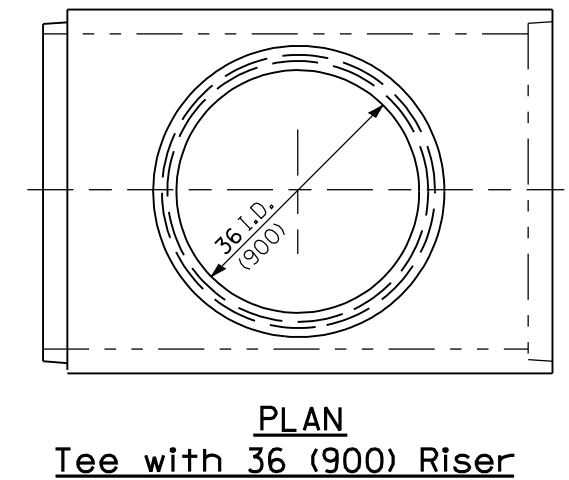
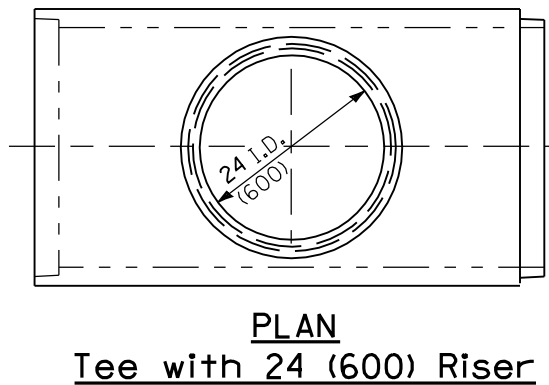
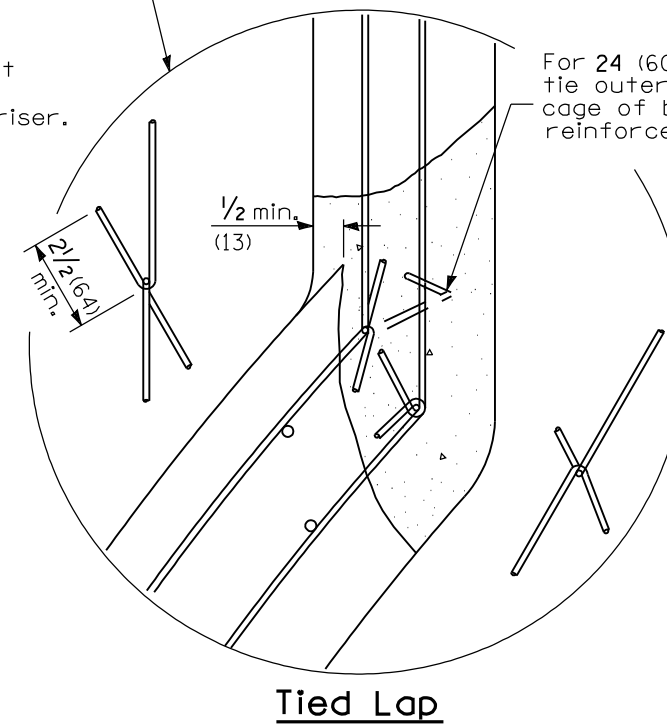
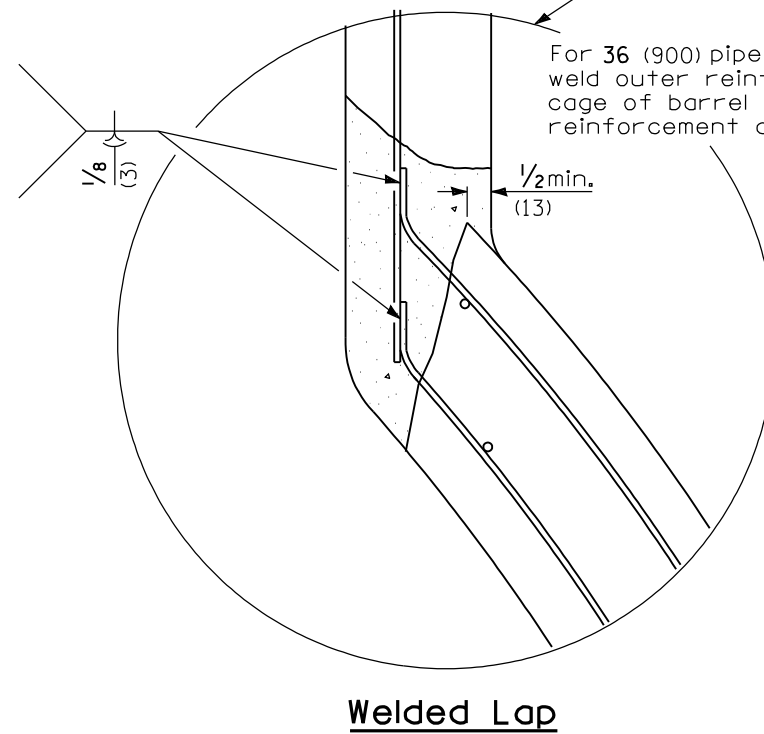


Inner cage circumferential reinforcement = 0.01 sq. in./ft. (212 mm²/m) (min.) longitudinal reinforcement is same as for 36 (900) riser.



For wire W12 thru W2 (10,008 thru 7,188), length of weld shall be 3/4 (20) min. For wire W5.5 thru W2.5 (6,655 thru 4,496) length of weld shall be 3/8 (10) min. Other wire gauges shall be tied per detail.



All dimensions are in inches (millimeters) unless otherwise shown.

DATE	REVISIONS
1-1-09	Switched units to English (metric).
1-1-97	Renum. Standard 2263-4.

REINFORCED CONCRETE PIPE TEE

STANDARD 542606-01

Illinois Department of Transportation

APPROVED January 1, 2009
Scott S. Cox
 ENGINEER OF POLICY AND PROCEDURES

APPROVED January 1, 2009
Ken E. Han
 ENGINEER OF DESIGN AND ENVIRONMENT

ISSUED 1-1-97
 J6-1-97