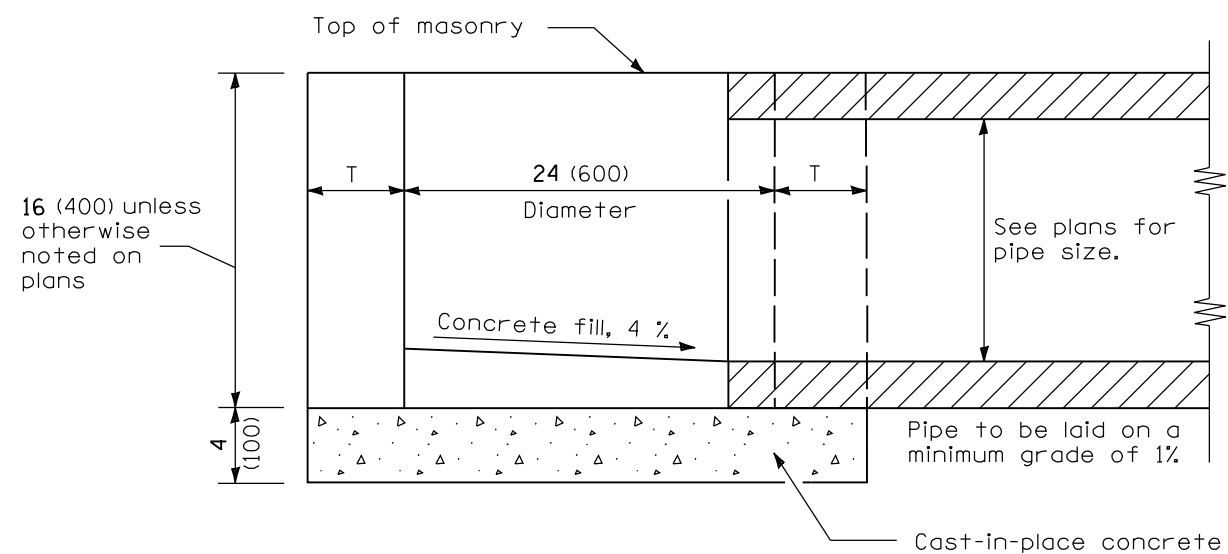
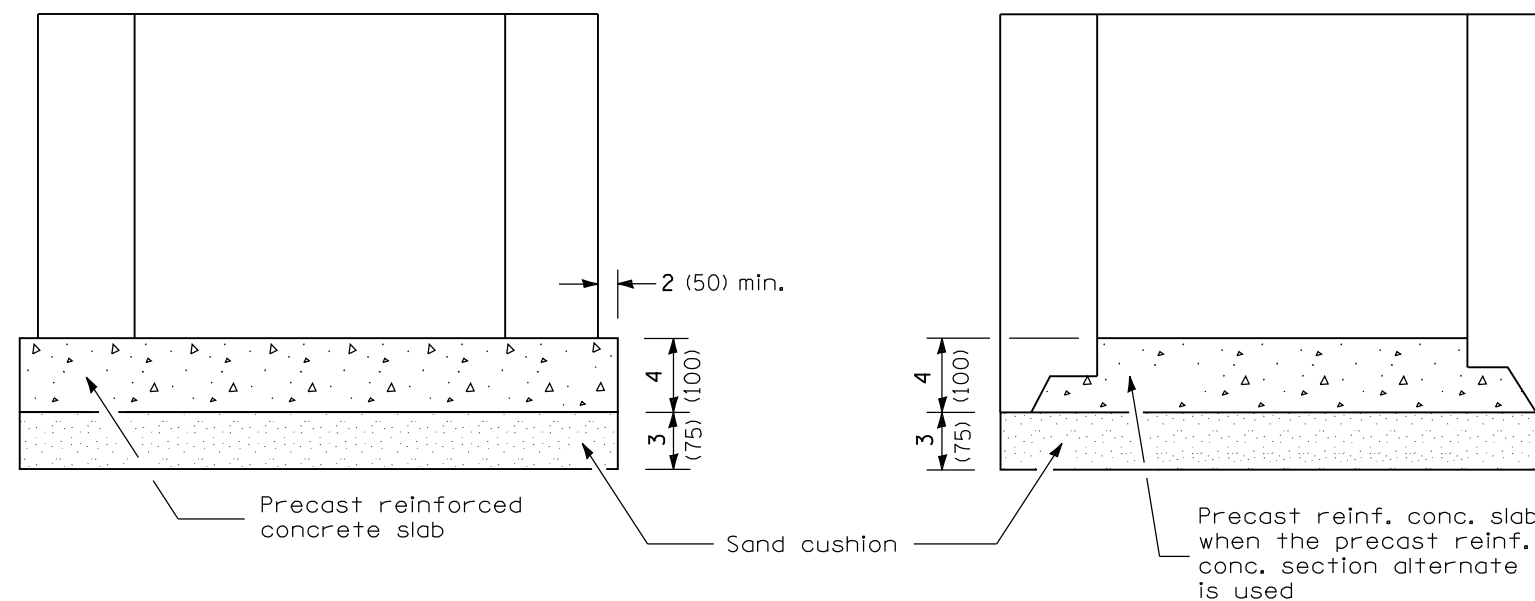


PLAN

ALTERNATE MATERIALS FOR WALLS	T
BRICK MASONRY	8 (200)
CAST-IN-PLACE CONCRETE	6 (150)
CONCRETE MASONRY UNIT	5 (125)
PRECAST REINFORCED CONCRETE SECTION	3 (75)



SECTION A-A



ALTERNATE METHODS

All dimensions are in inches (millimeters) unless otherwise shown.

DATE	REVISIONS
1-1-09	Switched units to English (metric).
4-1-06	Added concrete fill in bottom of inlet.

INLET - TYPE A

STANDARD 602301-02

Illinois Department of Transportation

PASSED January 1, 2009
[Signature]
 ENGINEER OF POLICY AND PROCEDURES

APPROVED January 1, 2009
[Signature]
 ENGINEER OF DESIGN AND ENVIRONMENT

ISSUED 1-1-97