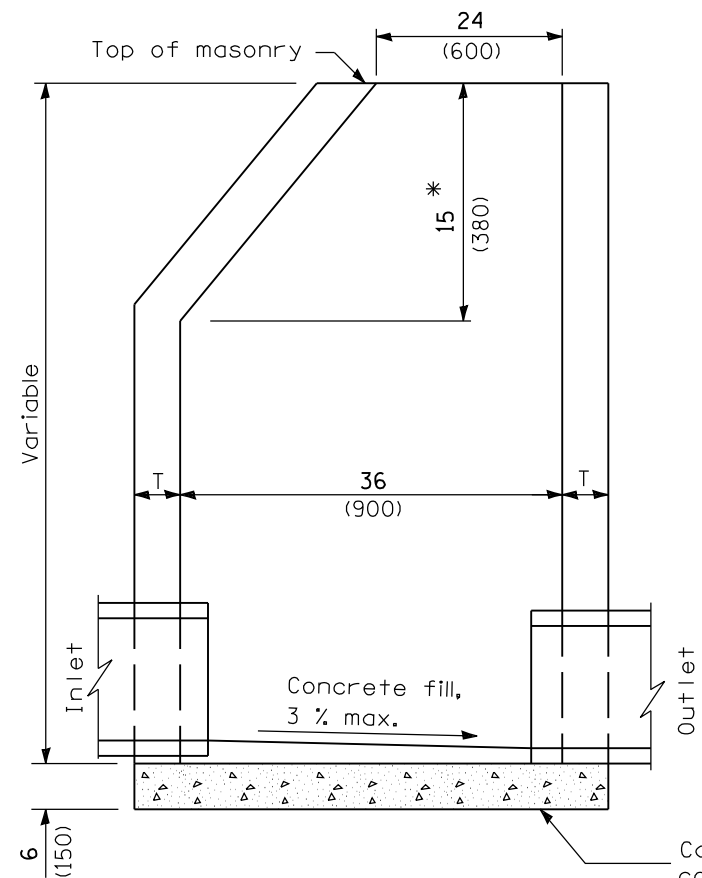
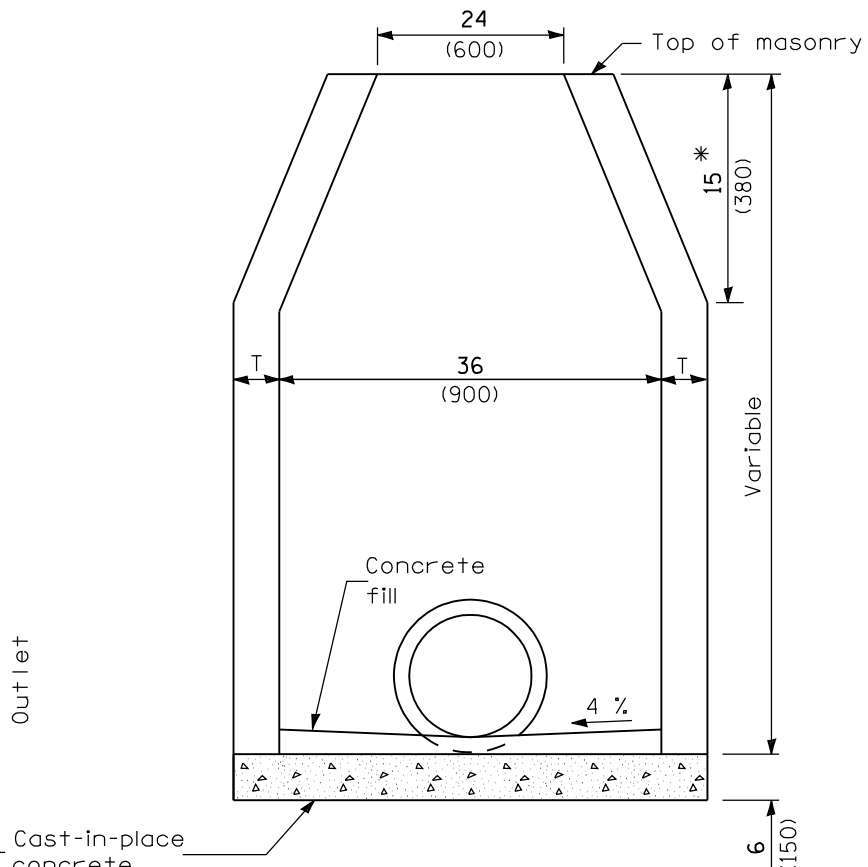


* For precast reinforced concrete sections, this dimension may vary from the dimension given to plus 6 (150).

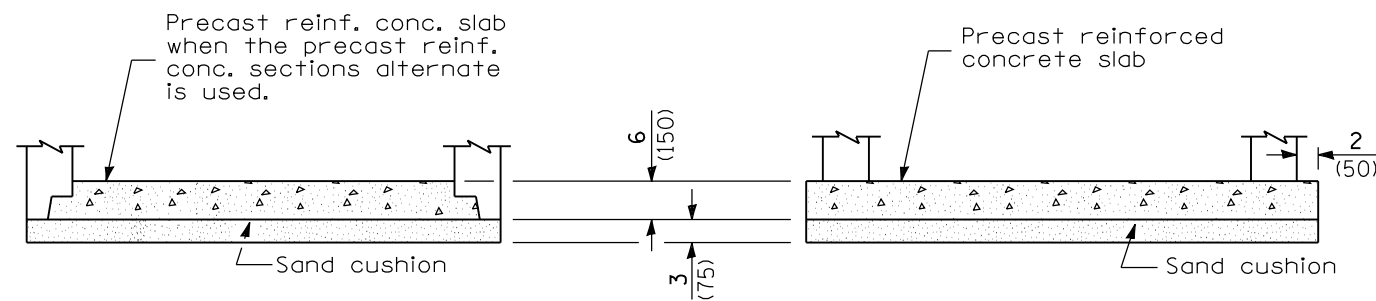


ELEVATION - ECCENTRIC



ELEVATION - CONCENTRIC

ALTERNATE MATERIALS FOR WALLS	T (min.)
Concrete Masonry Unit	5 (125)
Brick Masonry	8 (200)
Precast Reinforced Concrete Section	3 (75)
Cast-in-Place Concrete	6 (150)



ALTERNATE BOTTOM SLAB

GENERAL NOTES

See Standard 602601 for optional Precast Reinforced Concrete Flat Slab Top.

All dimensions are in inches (millimeters) unless otherwise shown.

DATE	REVISIONS
1-1-09	Switched units to English (metric).
4-1-06	Revised detail for concrete fill in elevation views.

INLET - TYPE B

STANDARD 602306-02

Illinois Department of Transportation

PASSED January 1, 2009
Scott Smith
 ENGINEER OF POLICY AND PROCEDURES

APPROVED January 1, 2009
Ken E. Han
 ENGINEER OF DESIGN AND ENVIRONMENT

ISSUED 1-1-97