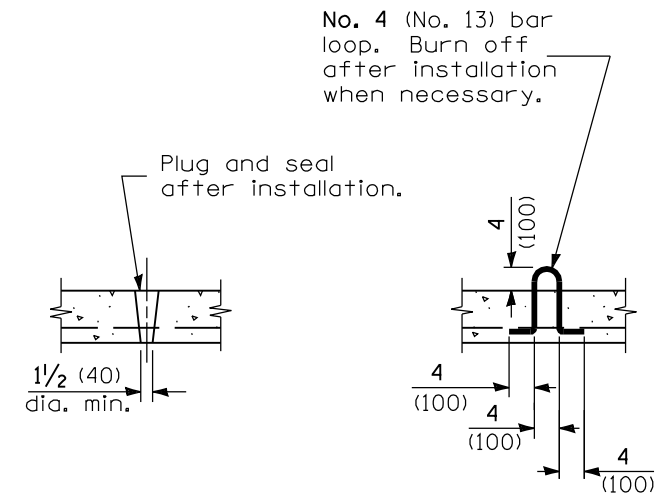


**PLAN**

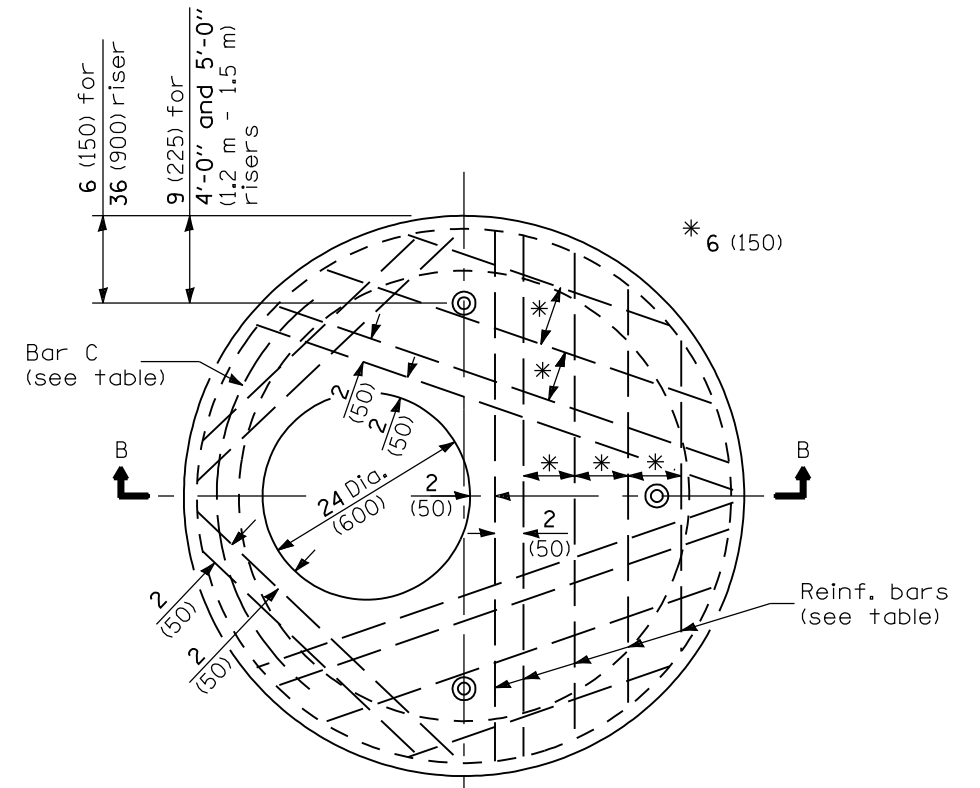
(WELDED WIRE FABRIC)



**LIFTING HOLE OR LIFTING LOOP**

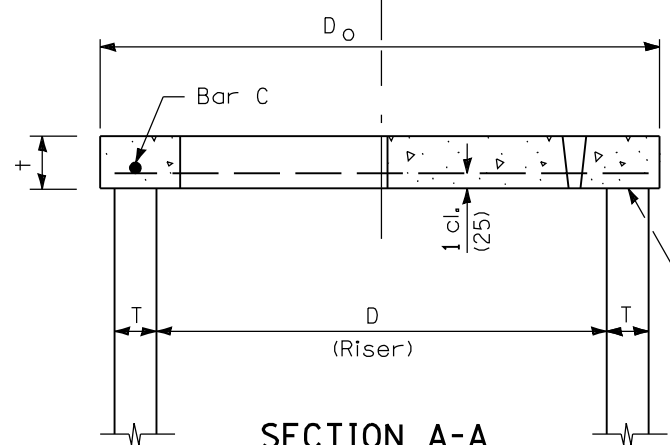
**TYPICAL**

(3 required per slab)

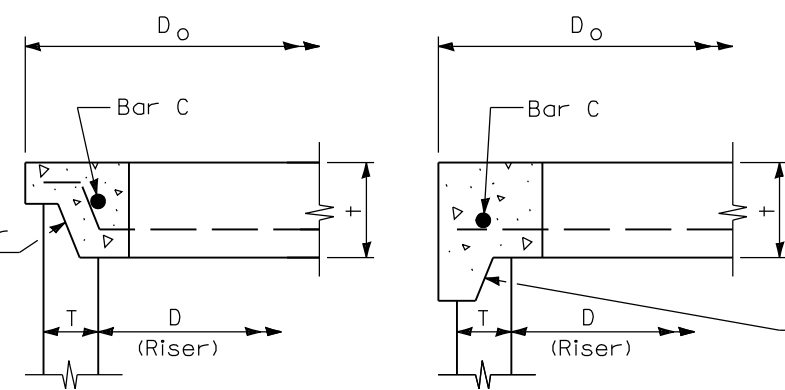


**PLAN**

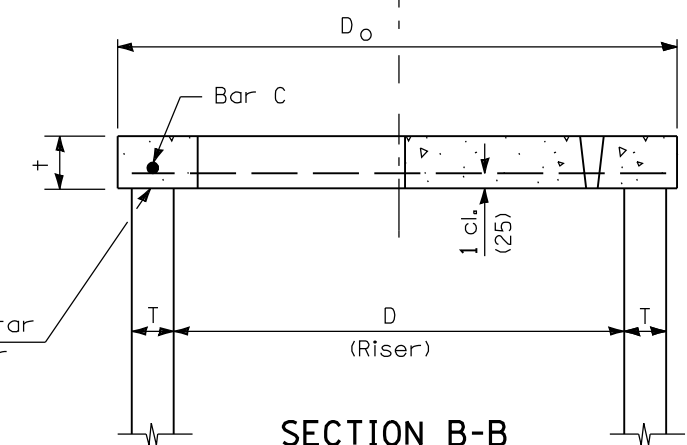
(REINFORCEMENT BARS)



**SECTION A-A**



**ALTERNATE JOINT CONFIGURATIONS**

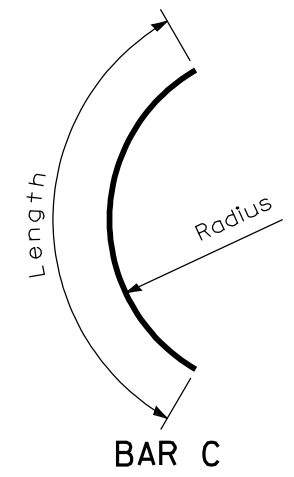


**SECTION B-B**

**GENERAL NOTES**

The flat slab top may be used in lieu of the tapered tops shown on Standards 602001, 602011, 602016, 602306, 602401, or 602501 at the option of the Contractor or when field conditions prohibit the use of tapered tops.

All dimensions are in millimeters (inches) unless otherwise shown.



**BAR C**

**TABLE**

D	T	D <sub>o</sub> (min.)	t	Reinforcement		No. 4 (No. 13) Bar C	
				"A <sub>s</sub> " W.W.F. each direction	OR Bar size	Length	Radius
36 (900)	See applicable Standards	D + 2T	6 (150)	0.20 sq. in./ft. (425 sq. mm/m)	No. 4 (No. 13)	4'-0" (1.2 m)	19 (480)
4'-0" (1.2 m)			6 (150)	0.35 sq. in./ft. (740 sq. mm/m)	No. 5 (No. 16)	4'-6" (1.35 m)	26 (660)
5'-0" (1.5 m)			8 (200)	0.35 sq. in./ft. (740 sq. mm/m)	No. 5 (No. 16)	5'-0" (1.5 m)	32 (810)

DATE	REVISIONS
1-1-09	Switched units to English (metric).
1-1-07	Soft converted metric reinforcement bars.

**PRECAST  
REINFORCED CONCRETE  
FLAT SLAB TOP**

**STANDARD 602601-02**

Illinois Department of Transportation

PASSED January 1, 2009

ENGINEER OF POLICY AND PROCEDURES

APPROVED January 1, 2009

ENGINEER OF DESIGN AND ENVIRONMENT

ISSUED 1-1-07