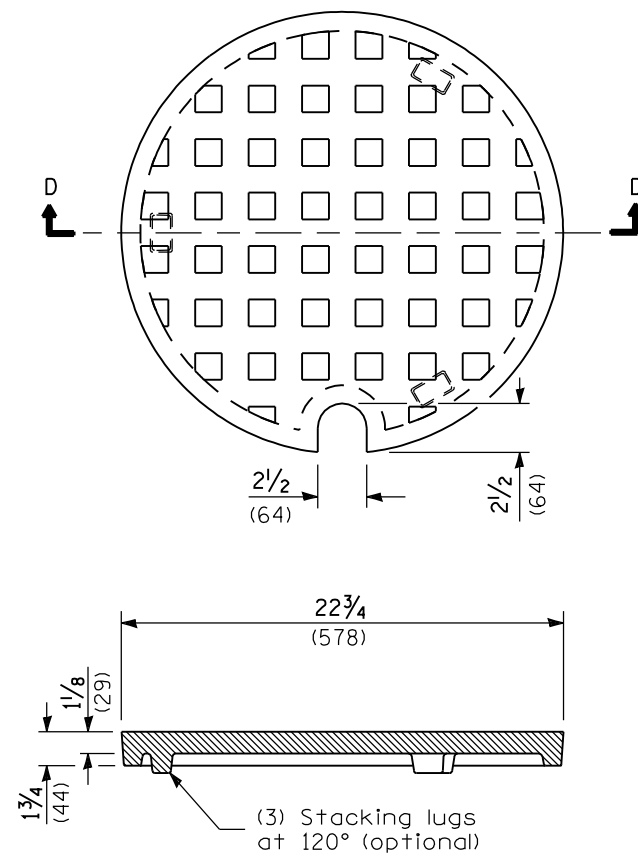


SECTION C-C

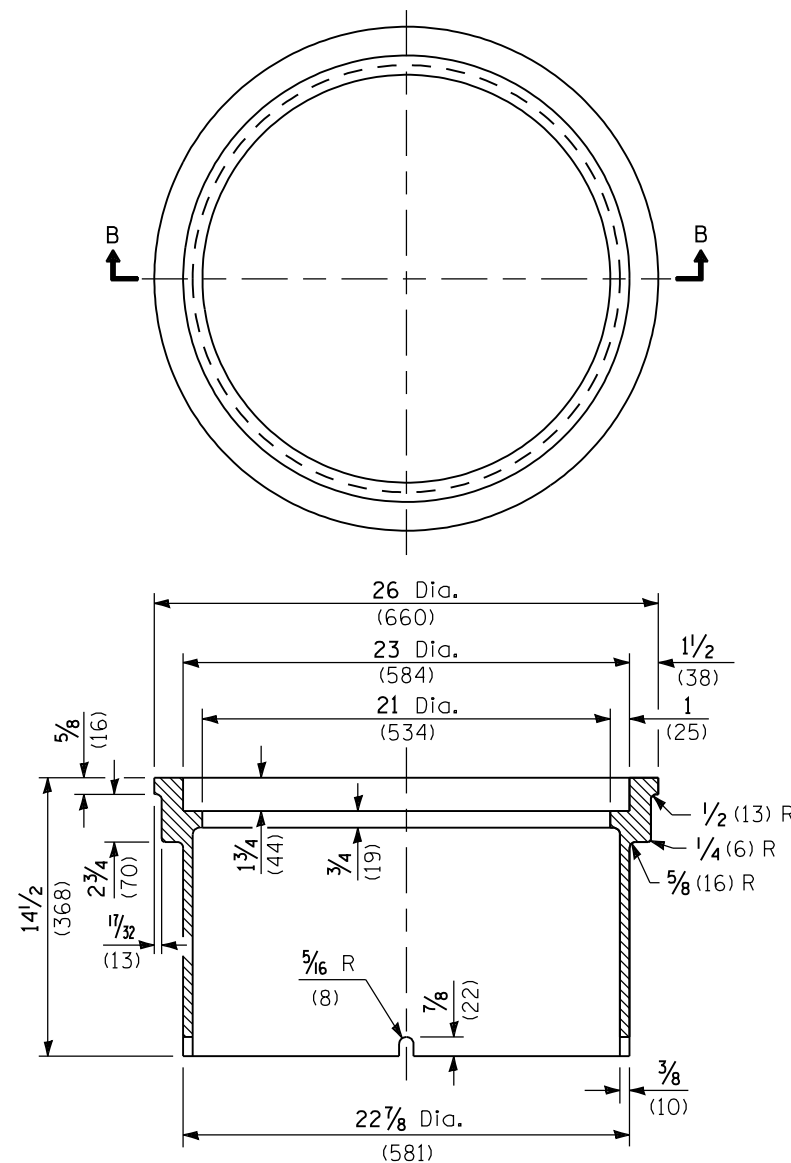
CAST OPEN LID



SECTION D-D

CAST CLOSED LID

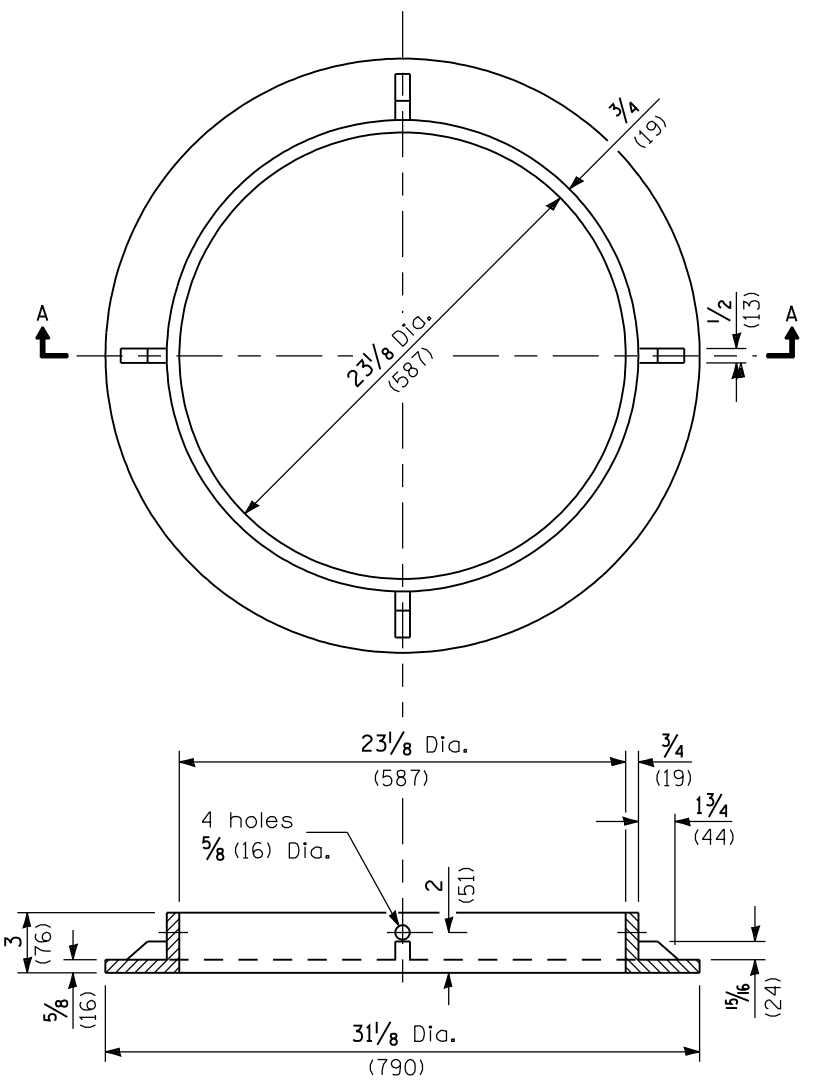
Gray Iron



SECTION B-B

CAST FRAME

Gray Iron



SECTION A-A

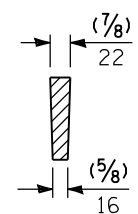
CAST BASE

Gray Iron

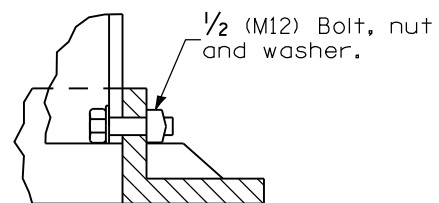
GENERAL NOTES

The four holes in the cast base may be rotated 45° from the position shown in section A-A

All dimensions are in inches (millimeters) unless otherwise shown.



SECTION E-E



DETAIL OF BOLTING
FRAME TO BASE

NOTE: Bolts shall be removed after pavement has been placed.

DATE	REVISIONS
1-1-09	Switched units to English (metric).
1-1-97	Renum. Standard 2226-5. Revised Cast Closed Lid.

BASE, FRAME AND LIDS TYPE 5

STANDARD 604021-02

Illinois Department of Transportation

PASSED January 1, 2009
Scott S. ...
 ENGINEER OF POLICY AND PROCEDURES

APPROVED January 1, 2009
Ken E. ...
 ENGINEER OF DESIGN AND ENVIRONMENT

ISSUED 1-1-97