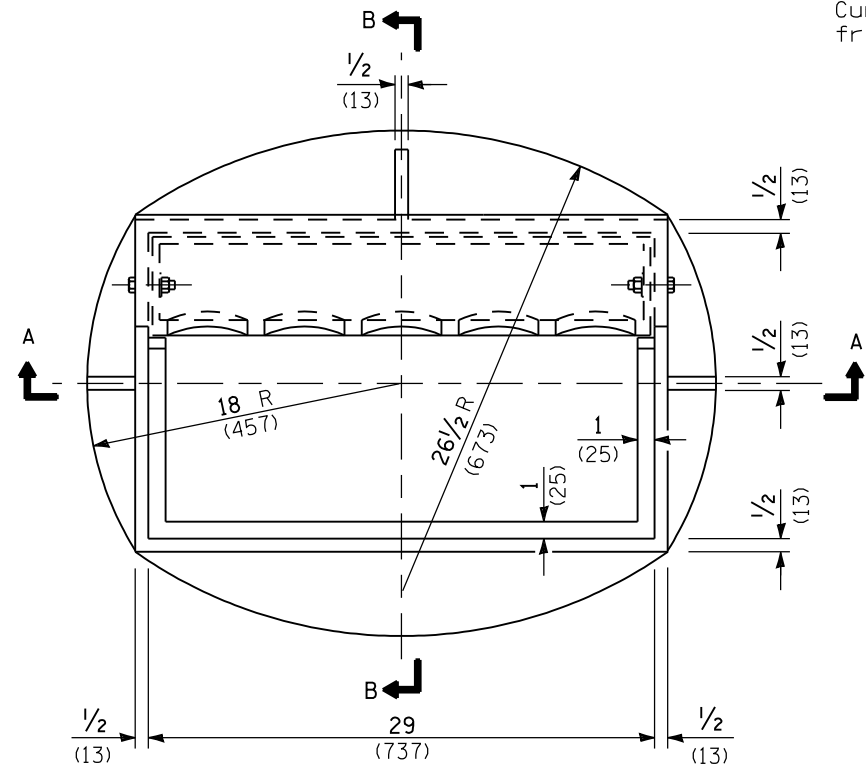
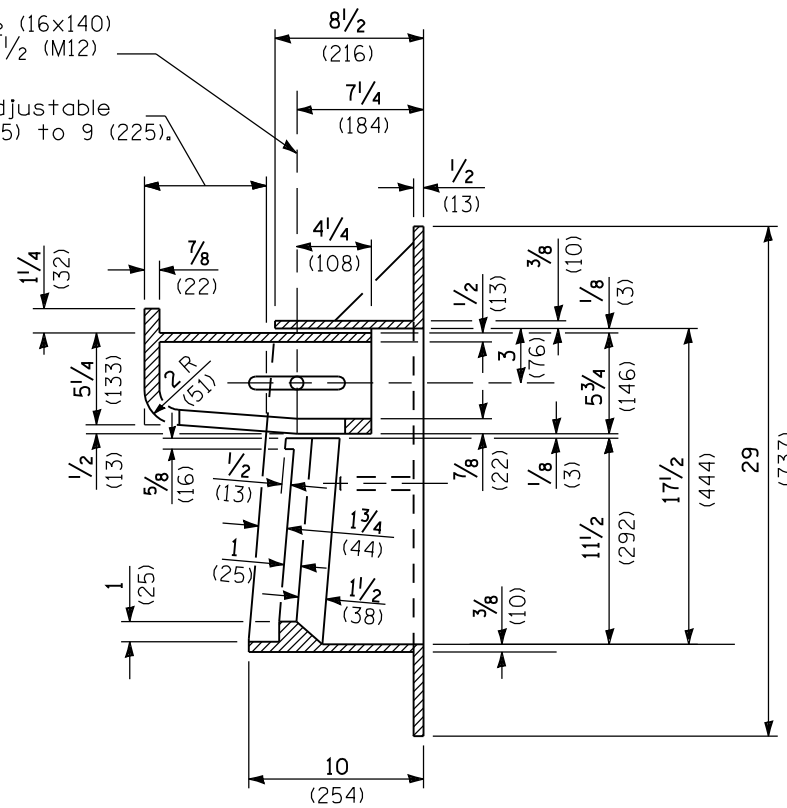


Ø 5/8 (16) Dia. hole and 5/8x5 1/2 (16x140) slotted hole for galvanized 1/2 (M12) bolt, nut, and washer.

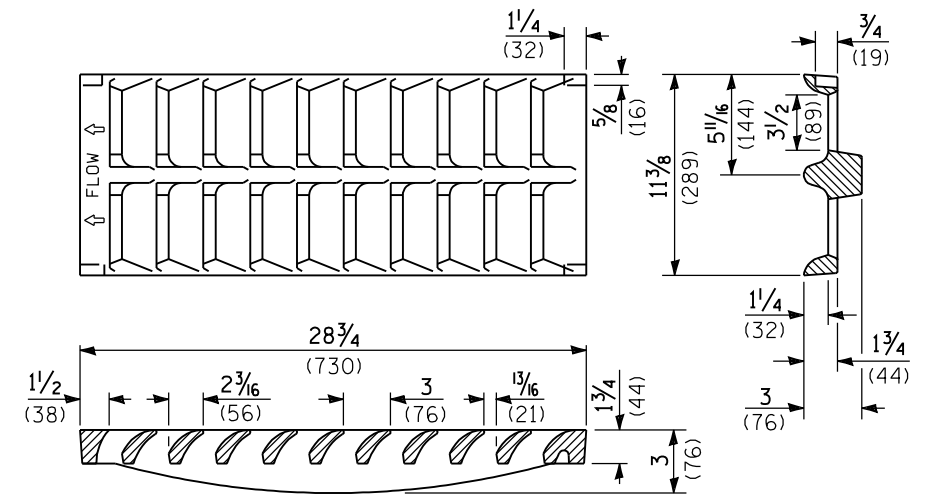
Curb box adjustable from 4 1/2 (115) to 9 (225).



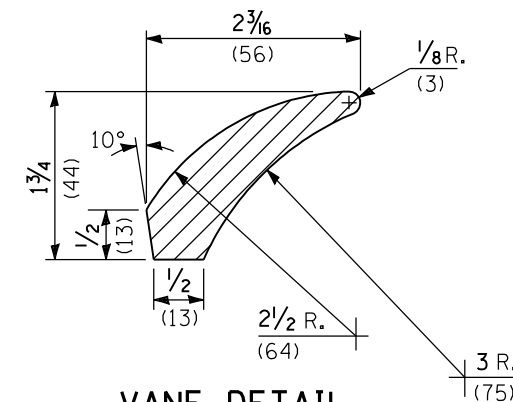
CAST FRAME



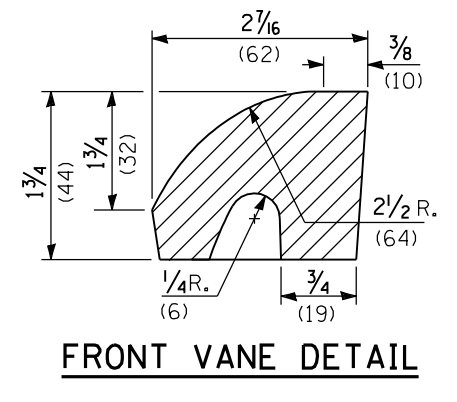
SECTION B-B



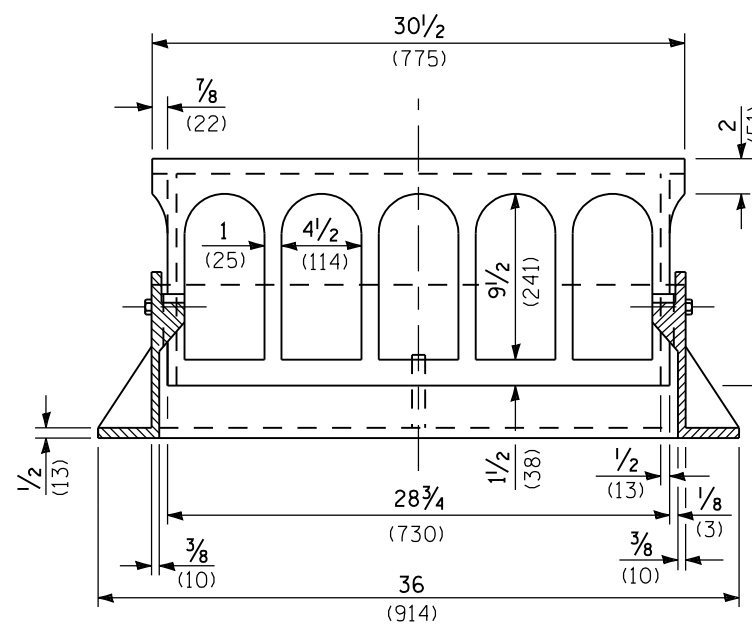
CAST GRATE



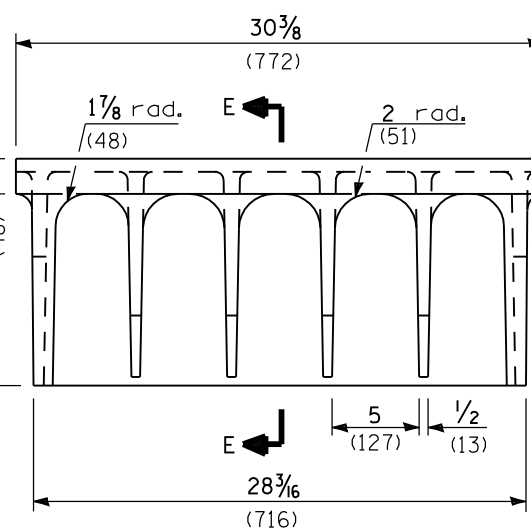
VANE DETAIL



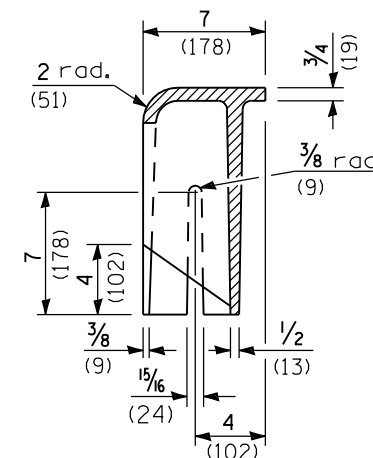
FRONT VANE DETAIL



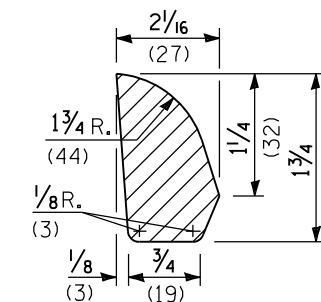
SECTION A-A



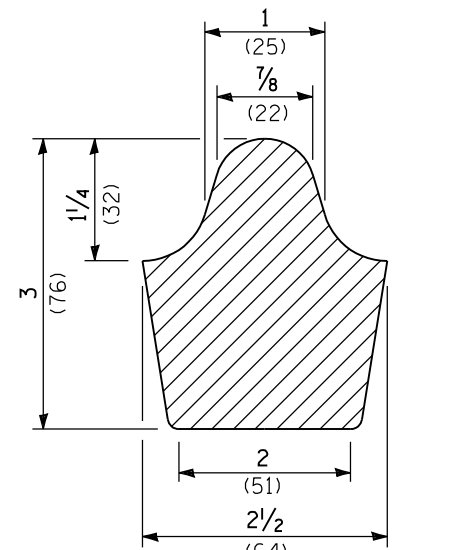
ALTERNATE CURB BOX



SECTION E-E



SIDE RIB DETAIL



MIDDLE RIB DETAIL

All dimensions are in inches (millimeters) unless otherwise shown.

DATE	REVISIONS
1-1-09	Switched units to English (metric).
4-1-06	Added alternate curb box.

**FRAME AND GRATE
TYPE 11V**

STANDARD 604056-03

Illinois Department of Transportation

PASSED January 1, 2009

ENGINEER OF POLICY AND PROCEDURES

APPROVED January 1, 2009

ENGINEER OF DESIGN AND ENVIRONMENT

ISSUED 1-1-09