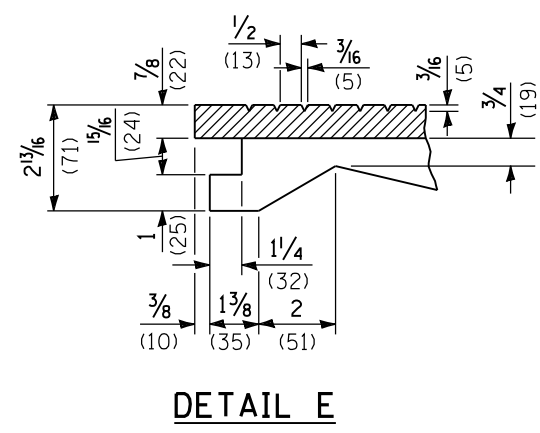
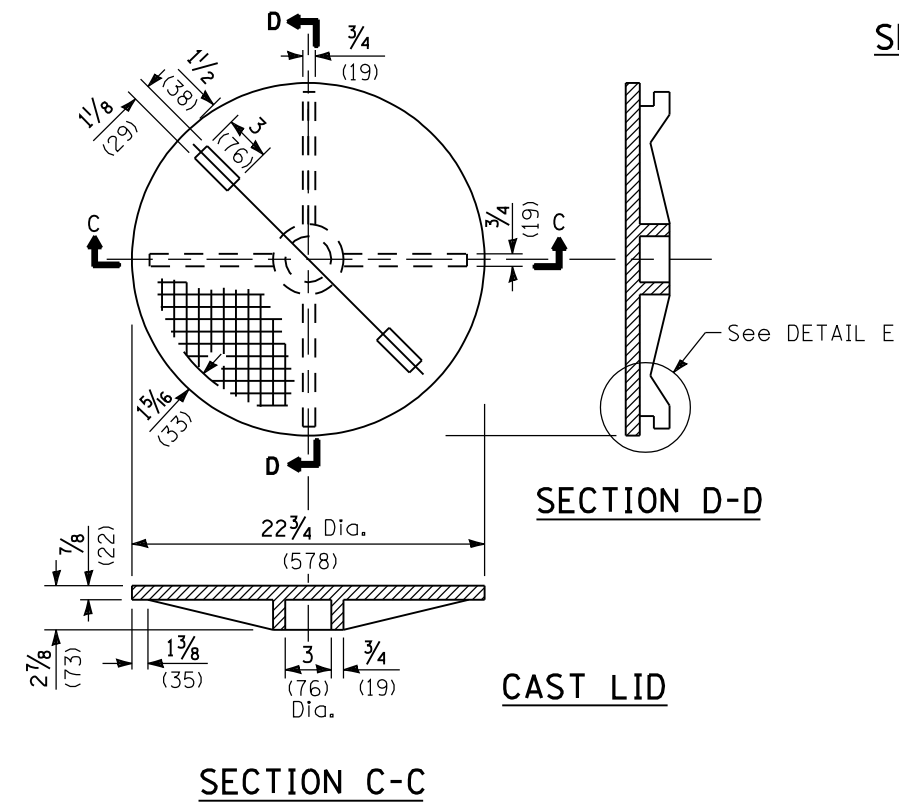
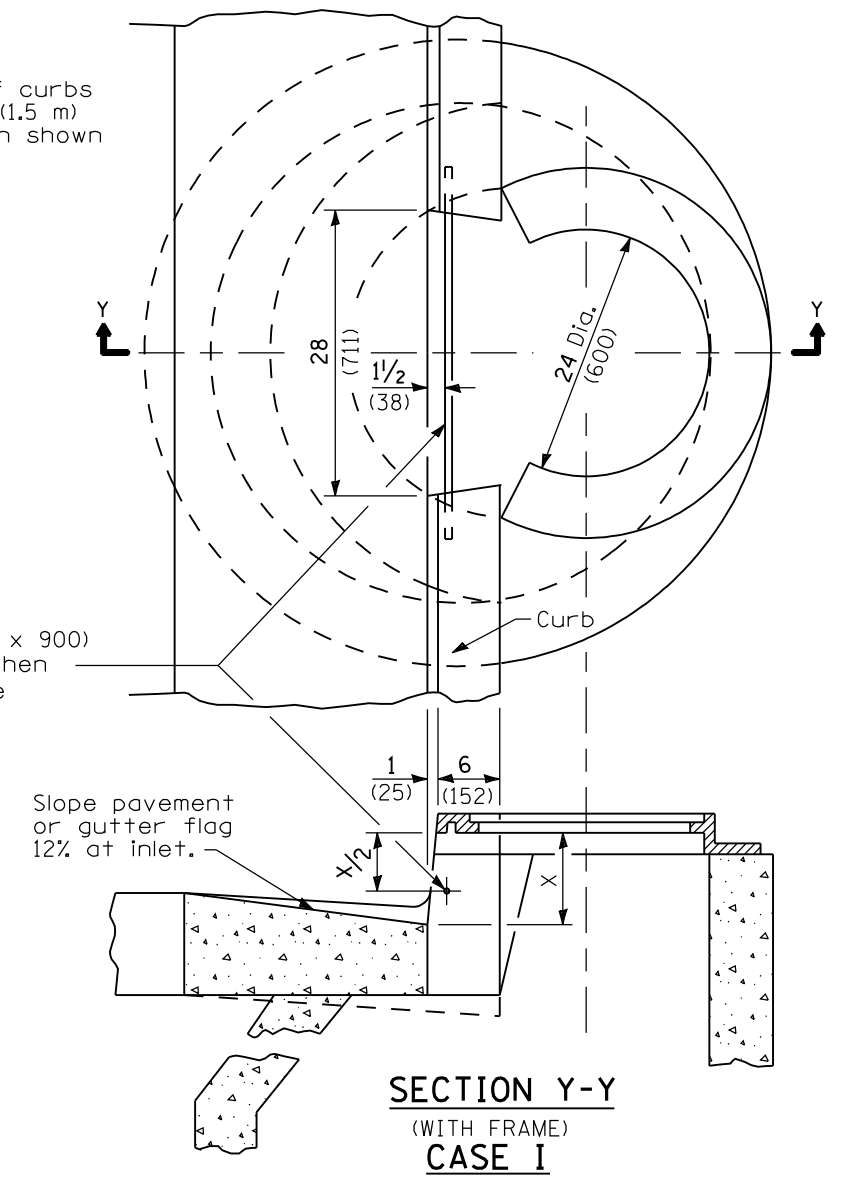


**NOTE:**  
Warp sloping face of curbs  
in a distance of 5' (1.5 m)  
to the cross section shown  
at the frame.

No. 6 x 36 (No. 20 x 900)  
re-bar required when  
X = 5 (125) or more



All dimensions are in inches (millimeters)  
unless otherwise shown.

Illinois Department of Transportation  
PASSED January 1, 2009  
ENGINEER OF POLICY AND PROCEDURES  
APPROVED January 1, 2009  
ENGINEER OF DESIGN AND ENVIRONMENT

DATE	REVISIONS
1-1-04	Switched units to English (metric).
1-1-04	Removed weights.

**FRAME AND LID**  
**TYPE 15**

**STANDARD 604066-02**