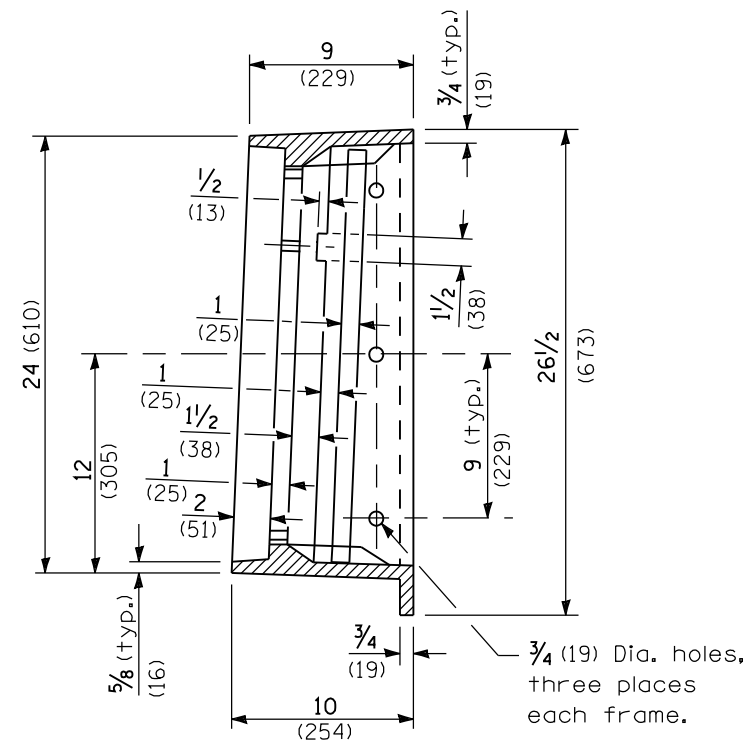
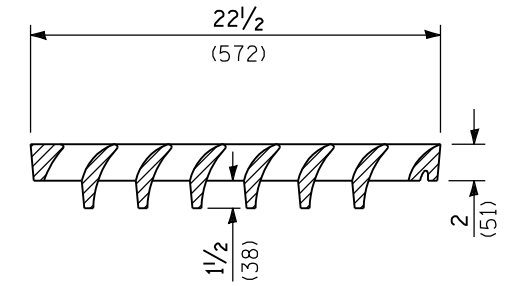


PLAN

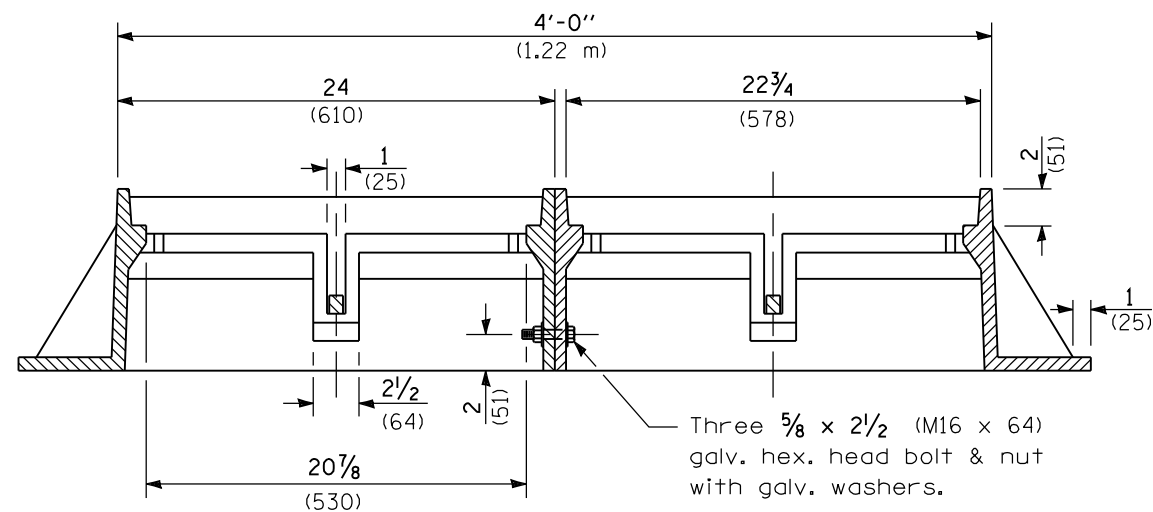
CAST FRAME



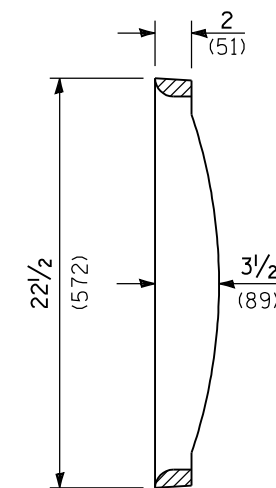
SECTION B-B



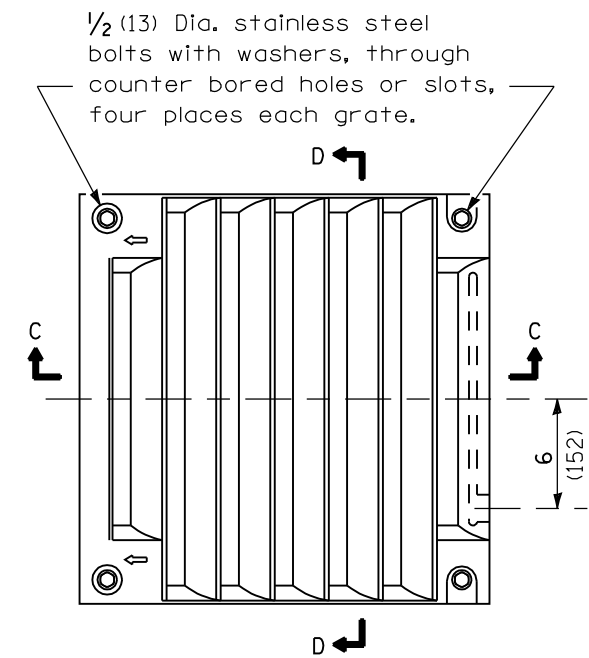
SECTION C-C



SECTION A-A



SECTION D-D



CAST GRATE

All dimensions are in inches (millimeters) unless otherwise shown.

DATE	REVISIONS
1-1-09	Switched units to English (metric).
1-1-07	Revised frame flanges, changed to a bolt down grate w/ deeper vanes.

FRAMES AND GRATES  
TYPE 22

STANDARD 604081-04

Illinois Department of Transportation

PASSED January 1, 2009

ENGINEER OF POLICY AND PROCEDURES

APPROVED January 1, 2009

ENGINEER OF DESIGN AND ENVIRONMENT

ISSUED 1-1-07