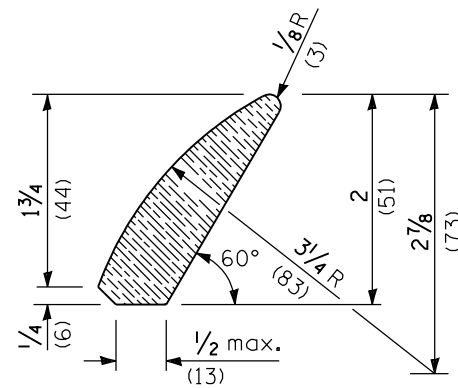
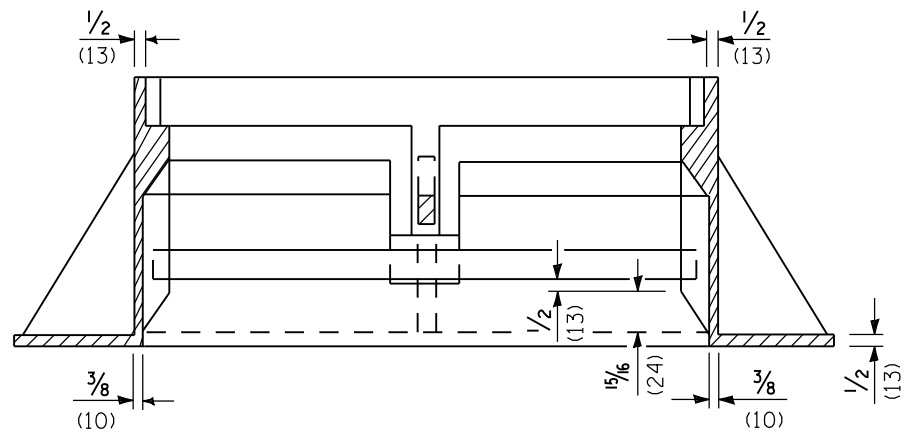


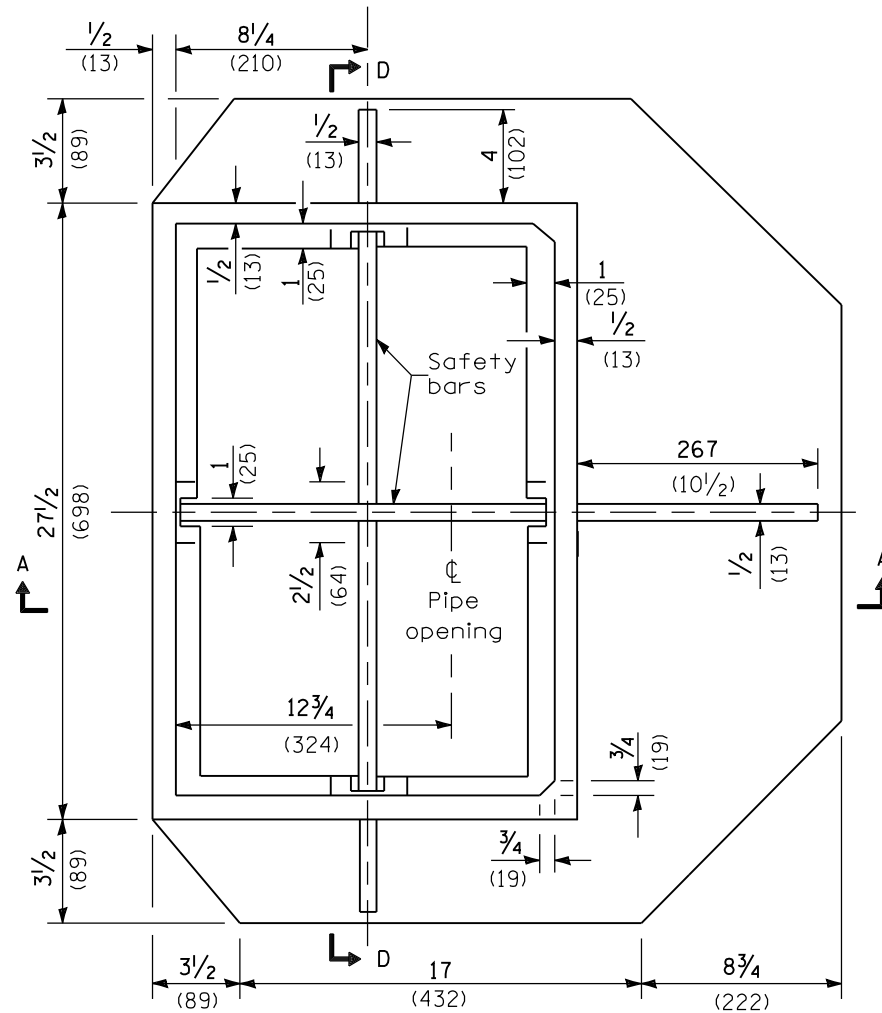
**DETAIL A**



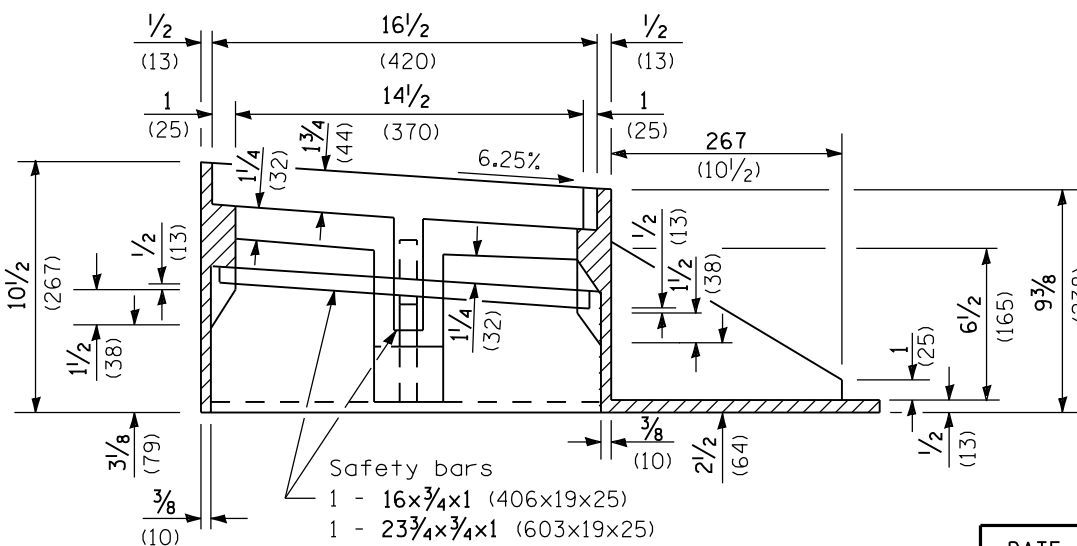
**DETAIL B**



**SECTION D-D**

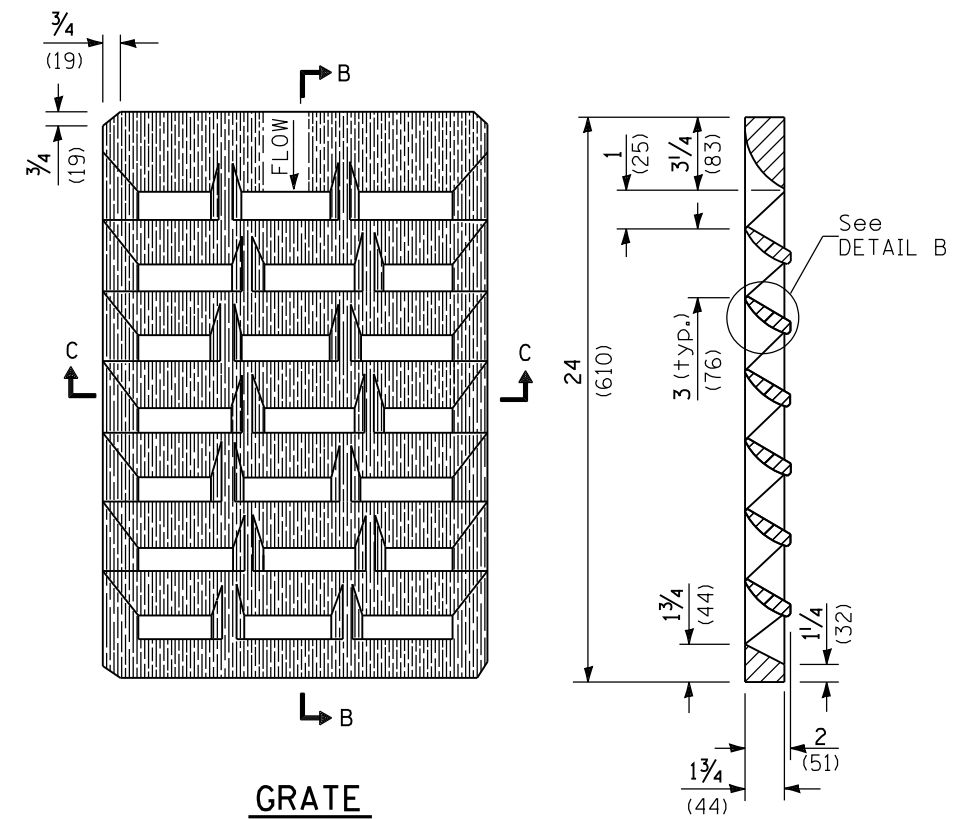


**PLAN - FRAME**



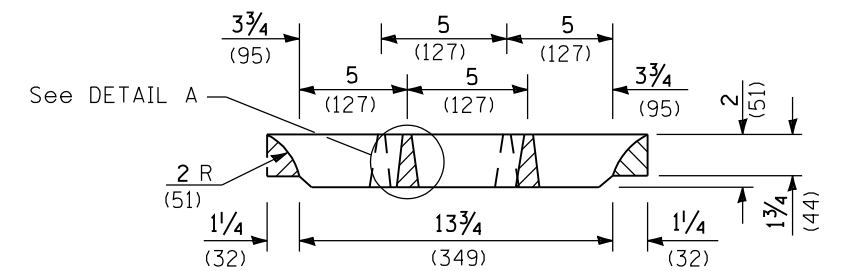
**SECTION A-A**

Safety bars  
 1 - 16 x 3/4 x 1 (406 x 19 x 25)  
 1 - 23 3/4 x 3/4 x 1 (603 x 19 x 25)



**GRATE**

**SECTION B-B**



**SECTION C-C**

All dimensions are in inches (millimeters) unless otherwise shown.

DATE	REVISIONS
1-1-09	Switched units to English (metric).
1-1-04	Revised frame and removed weights.

**FRAME AND GRATE  
TYPE 23**

**STANDARD 604086-02**

Illinois Department of Transportation

PASSED January 1, 2009

ISSUED 1-1-1

ENGINEER OF POLICY AND PROCEDURES

APPROVED January 1, 2009

ENGINEER OF DESIGN AND ENVIRONMENT