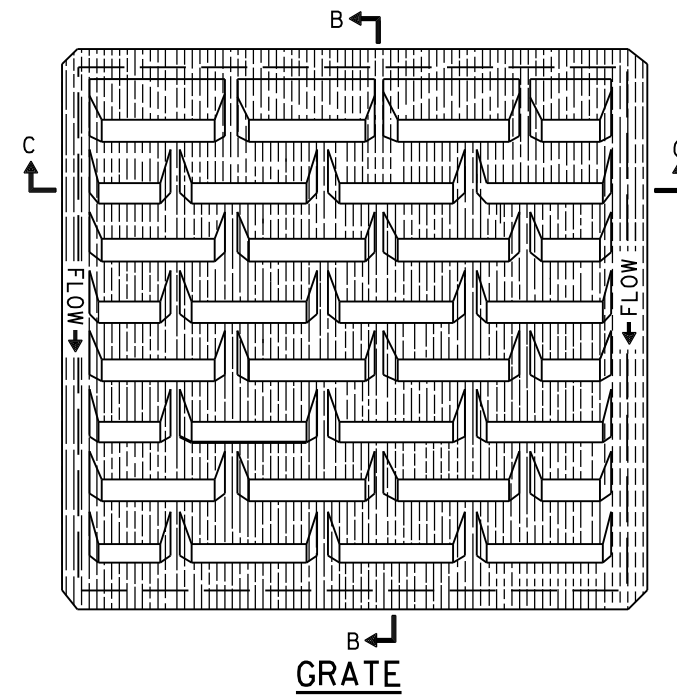
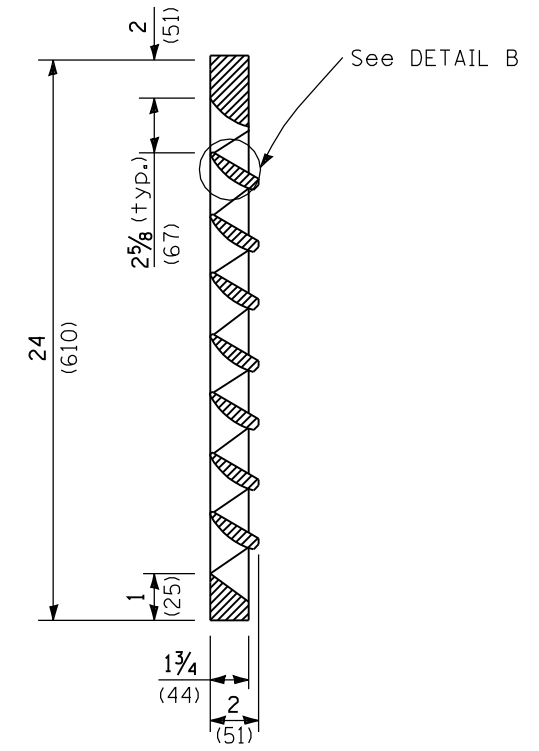


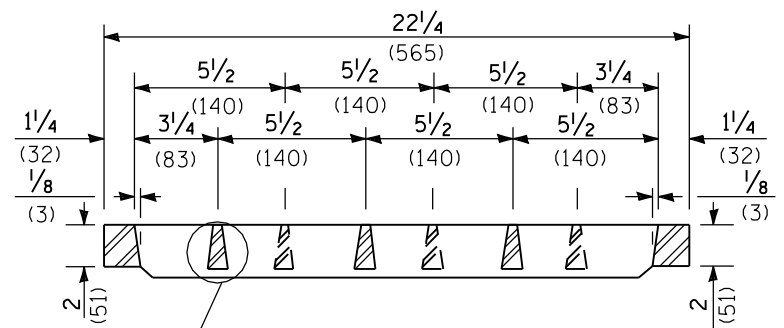
PLAN - FRAME



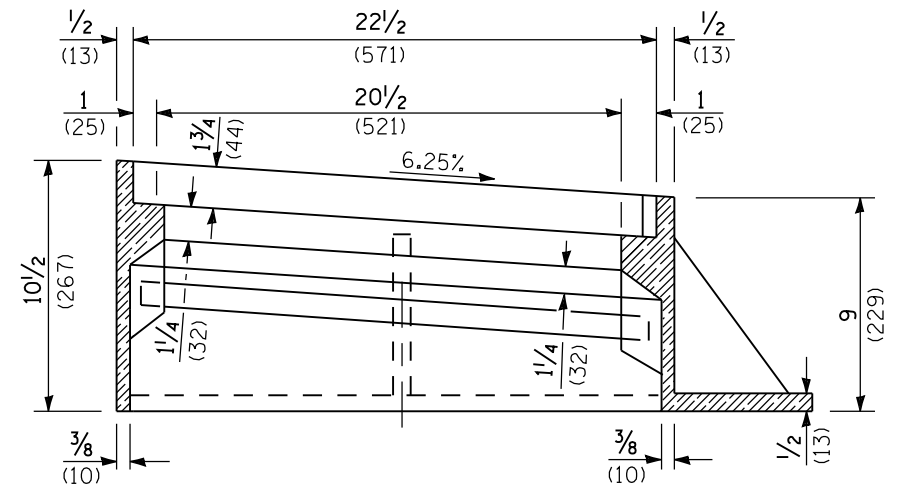
GRATE



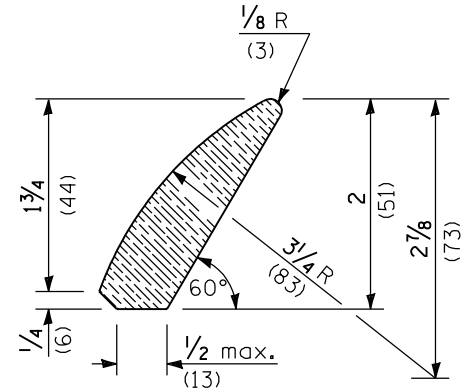
SECTION B-B



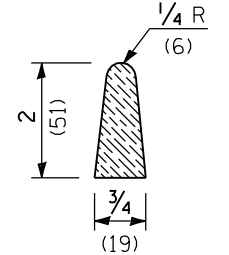
SECTION C-C



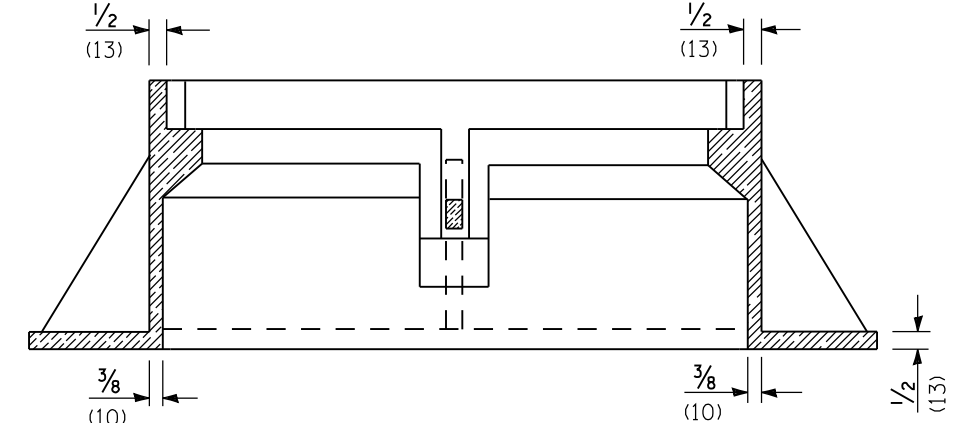
SECTION A-A



DETAIL B



DETAIL A



SECTION D-D

All dimensions are in inches (millimeters) unless otherwise shown.

Illinois Department of Transportation
 PASSED January 1, 2009
 ENGINEER OF POLICY AND PROCEDURES
 APPROVED January 1, 2009
 ENGINEER OF DESIGN AND ENVIRONMENT

DATE	REVISIONS
1-1-09	Switched units to English (metric).
1-1-04	Revised frame and removed weights.

**FRAME AND GRATE
TYPE 24**

STANDARD 604091-02