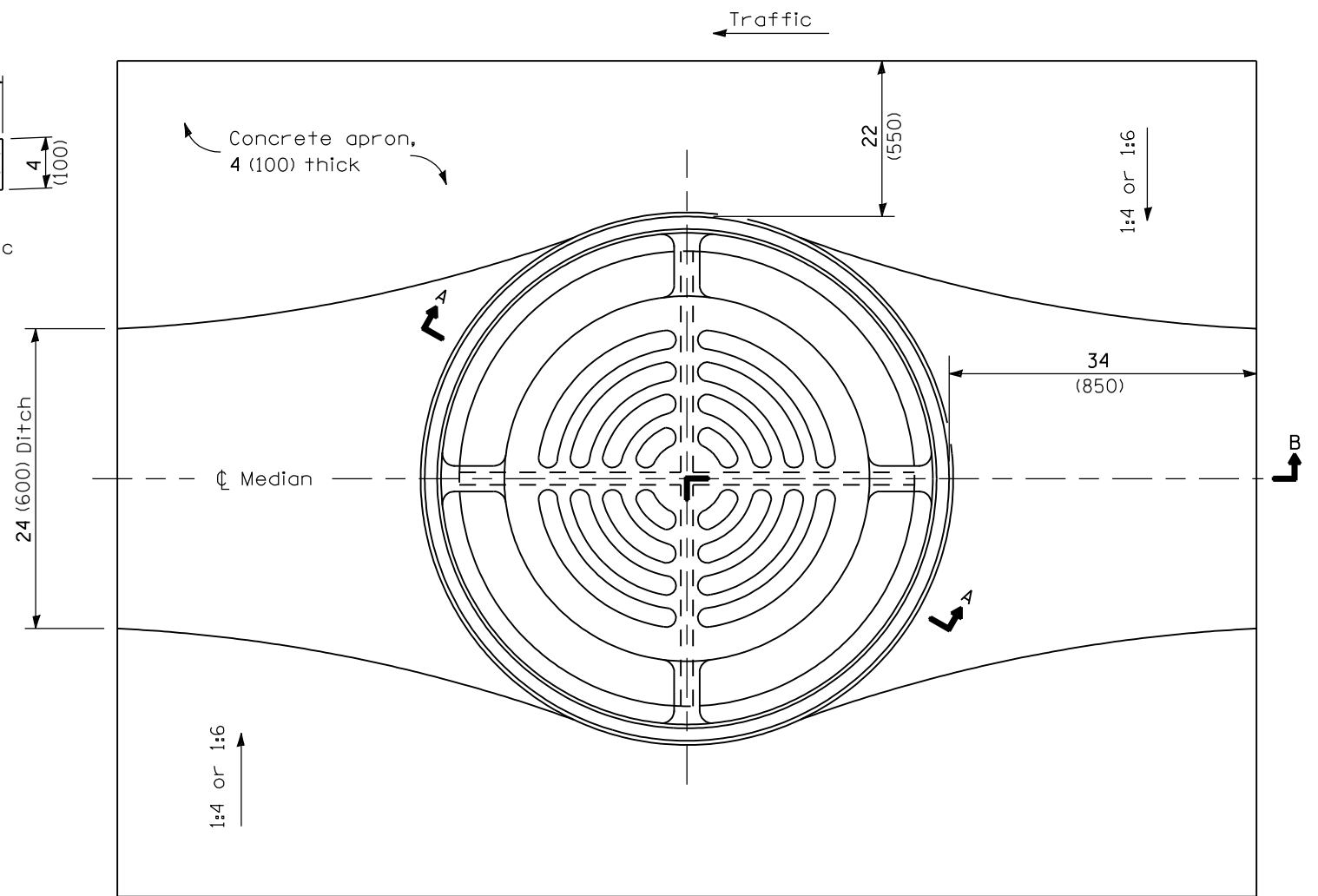
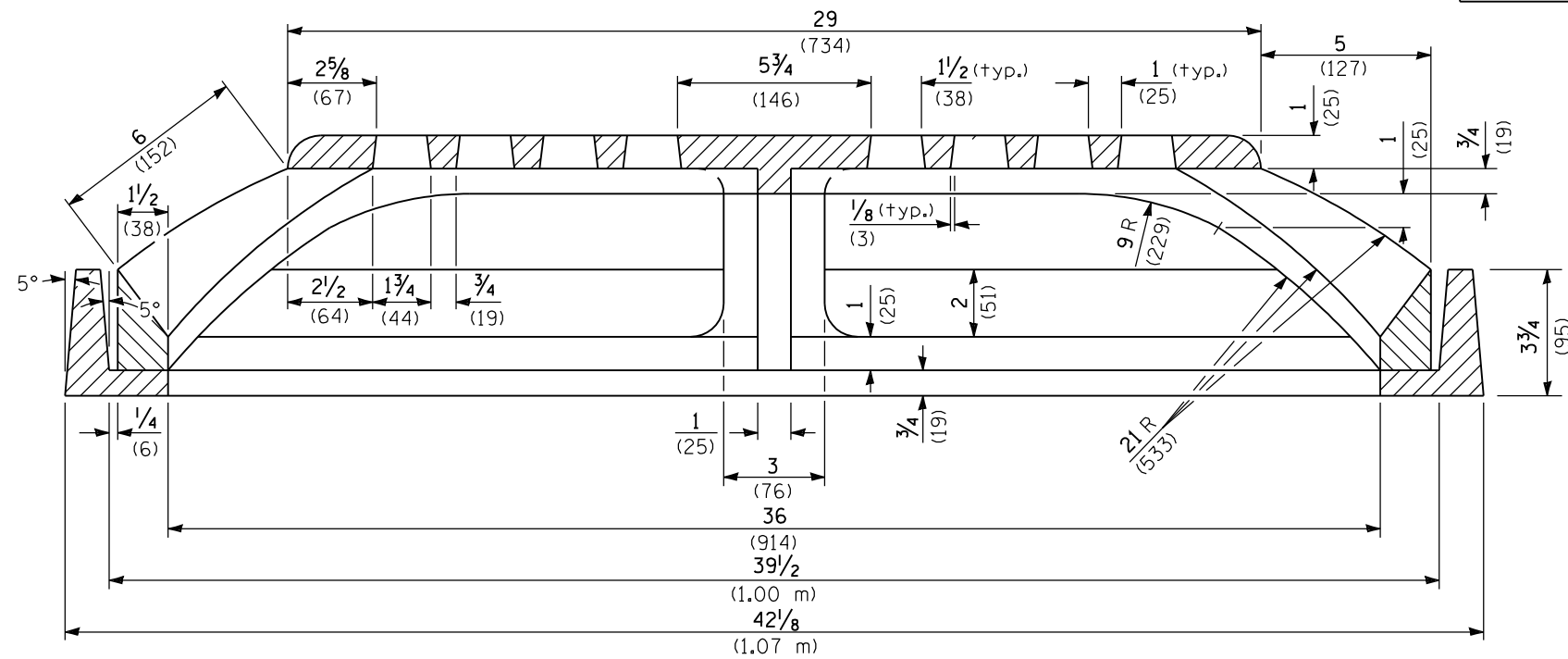


**SECTION B-B**



**LOCATION SKETCH - PLAN**



**SECTION A-A**

**GENERAL NOTES**

All slope ratios are expressed as units of vertical displacement to units of horizontal displacement (V:H).  
 All dimensions are in inches (millimeters) unless otherwise shown.

DATE	REVISIONS
1-1-09	Switched units to English (metric).
1-1-97	Renum. Standard 2251-2.

**MEDIAN INLET for  
 36" (900 mm)  
 REINFORCED CONCRETE  
 PIPE**

**STANDARD 604106-01**

Illinois Department of Transportation  
 PASSED January 1, 2009  
 ENGINEER OF POLICY AND PROCEDURES  
 APPROVED January 1, 2009  
 ENGINEER OF DESIGN AND ENVIRONMENT