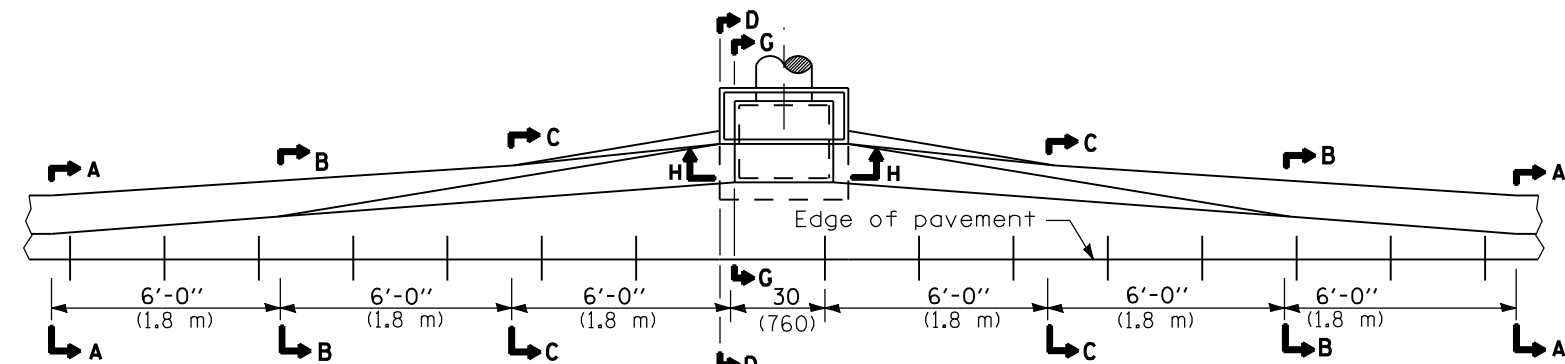
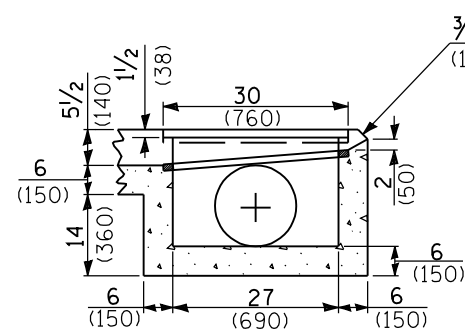


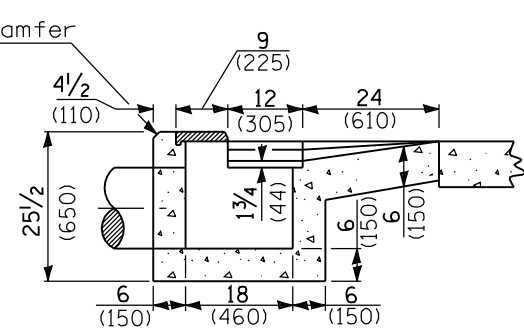
PLAN - SINGLE OUTLET



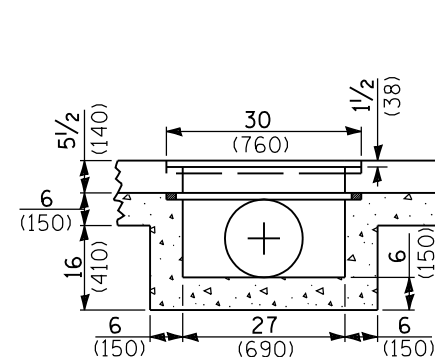
PLAN - DOUBLE OUTLET



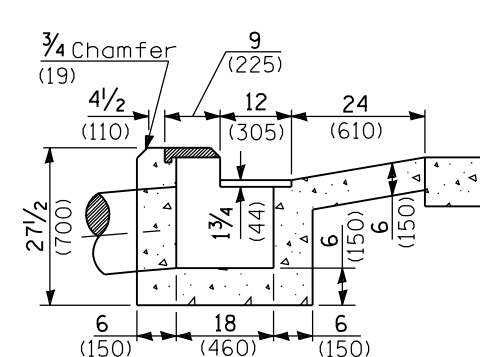
SECTION F-F



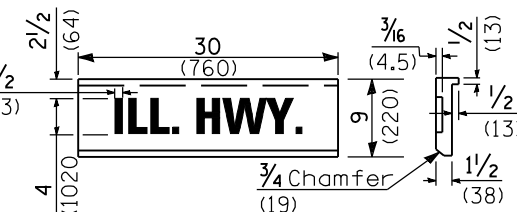
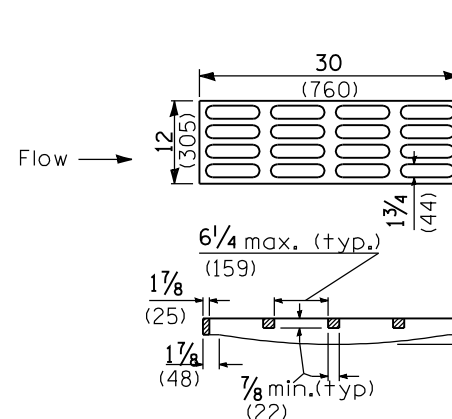
SECTION E-E



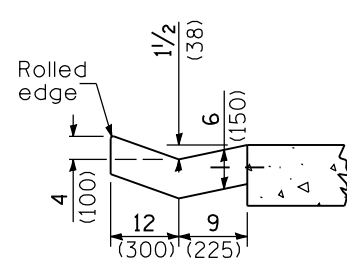
SECTION H-H



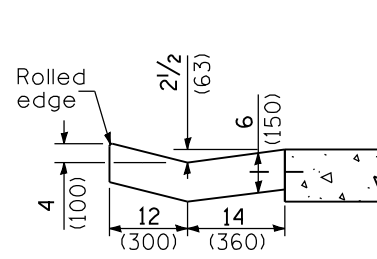
SECTION G-G



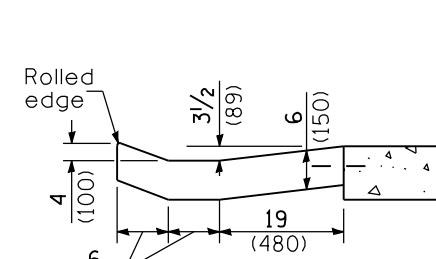
GRATE AND COVER TYPE 2B



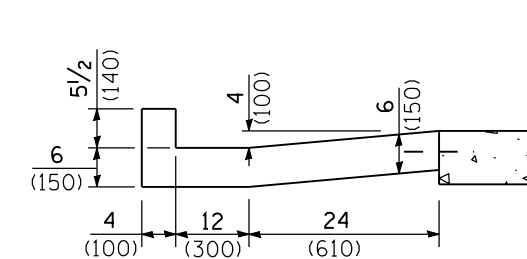
SECTION A-A



SECTION B-B



SECTION C-C



SECTION D-D

GENERAL NOTES

If the average grade of pavement for the distance A-E exceeds 2 percent, this distance shall be increased 6 ft. (1.8 m) for each 1 percent increase in grade.

The gutter outlet shall be tied to the pavement in accordance with details for longitudinal construction joint shown on Standard 420001.

All dimensions are in inches (millimeters) unless otherwise shown.

QUANTITIES

| Material | Single | Double |
|------------------------------------|-------------|-------------|
| Concrete- cu.yd. (m ³) | 1.62 (1.24) | 2.18 (1.67) |
| Cast Iron Grate- Ea. | 1 | 1 |
| Cast Iron Cover- Ea. | 1 | 1 |
| Pipe Drain - Dia. in. (mm) | 12 (300) | 15 (375) |

| DATE | REVISIONS |
|--------|---|
| 1-1-09 | Switched units to English (metric). |
| 1-1-07 | Soft converted metric rebar. Rem. weights of grate & cover. |

OUTLETS TYPE 2 FOR TYPE B GUTTER

STANDARD 606211-03

Illinois Department of Transportation
 PASSED January 1, 2009
 ENGINEER OF POLICY AND PROCEDURES
 APPROVED January 1, 2009
 ENGINEER OF DESIGN AND ENVIRONMENT