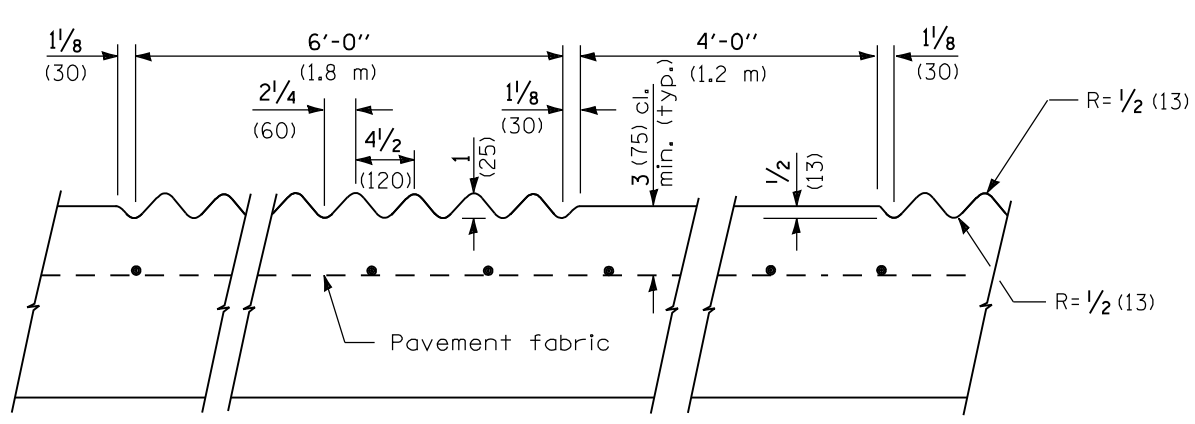
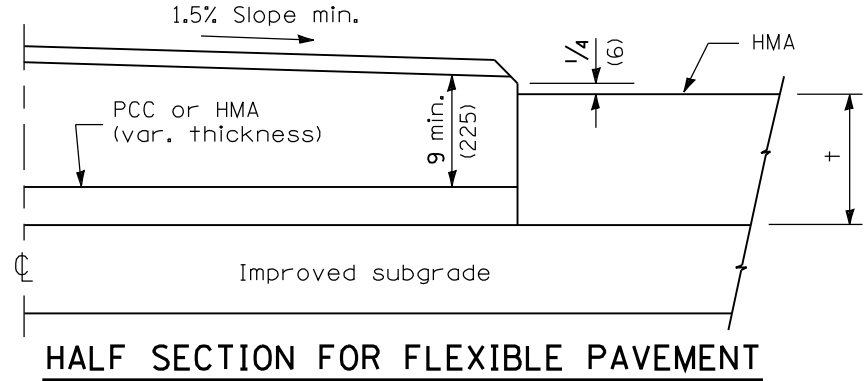


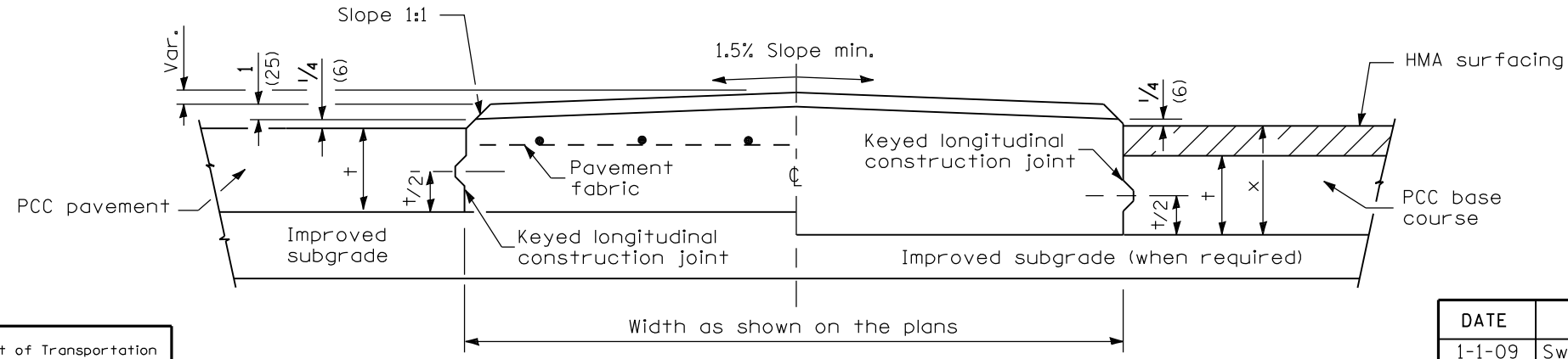
**SECTION A-A**



**SECTION B-B**



**HALF SECTION FOR FLEXIBLE PAVEMENT SECTION C-C**



**HALF SECTION FOR PCC PAVEMENT SECTION C-C**

**HALF SECTION FOR PCC BASE COURSE SECTION C-C**

**GENERAL NOTES**

- PEJF = Preformed expansion joint filler.
- Median layout and radii shall be as shown on the plans.
- Keyed longitudinal construction joints shall be constructed without tie bars.
- X = PCC base course plus HMA thickness.
- t = Pavement or pcc base course thickness.
- Fabric required for medians built contiguous to reinforced pcc pavement only.
- See Standards 420001 and 420701 for details not shown.
- All dimensions are in inches (millimeters) unless otherwise shown.

Illinois Department of Transportation  
 PASSED January 1, 2009  
 ENGINEER OF POLICY AND PROCEDURES  
 APPROVED January 1, 2009  
 ENGINEER OF DESIGN AND ENVIRONMENT

DATE	REVISIONS
1-1-09	Switched units to English (metric).
1-1-98	Switched to Hot-Mix Asphalt (HMA) terminology.

**CORRUGATED PC CONCRETE MEDIANS**  
**STANDARD 606306-03**