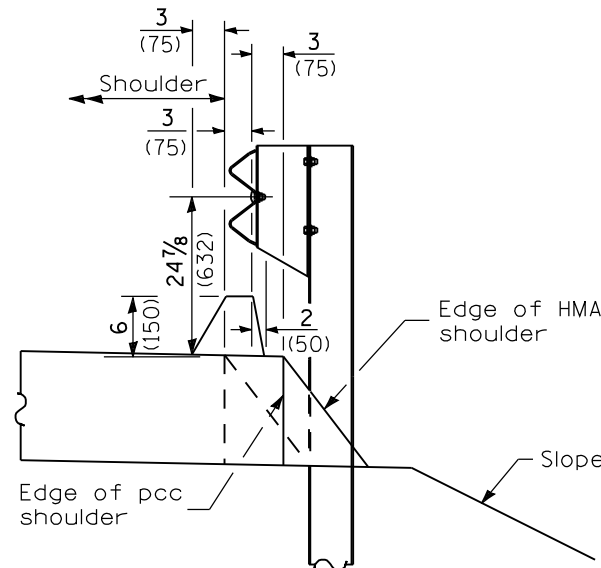


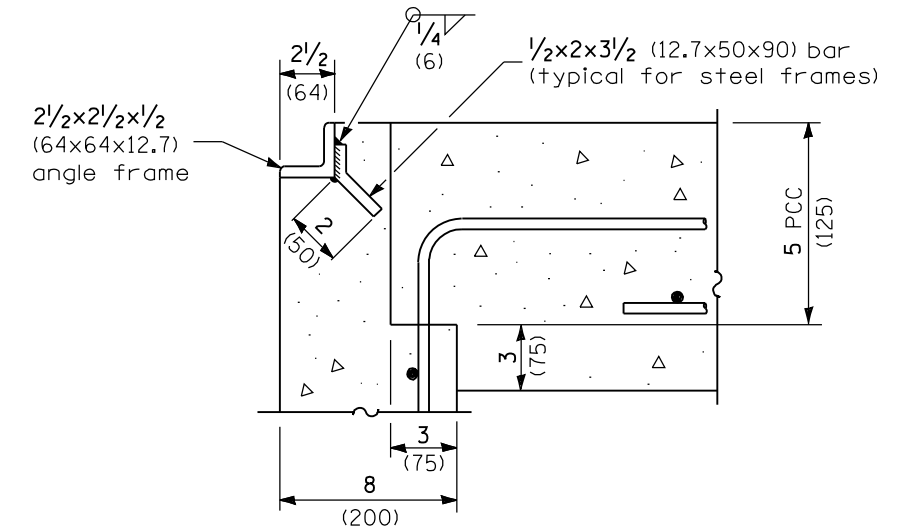
① Joints in prolongation with existing joints in pavements.

PLAN

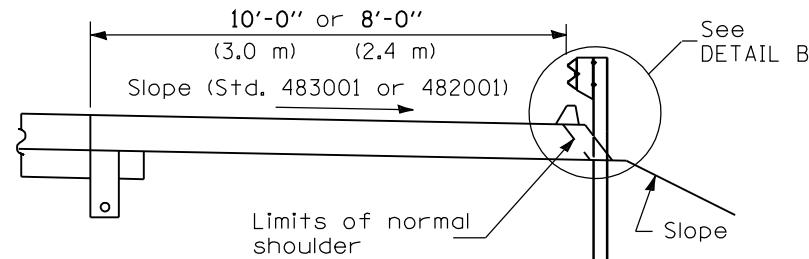
No. 6 (No. 19) Tie bars or expansion anchor ties at 24 (600) cts.



DETAIL B

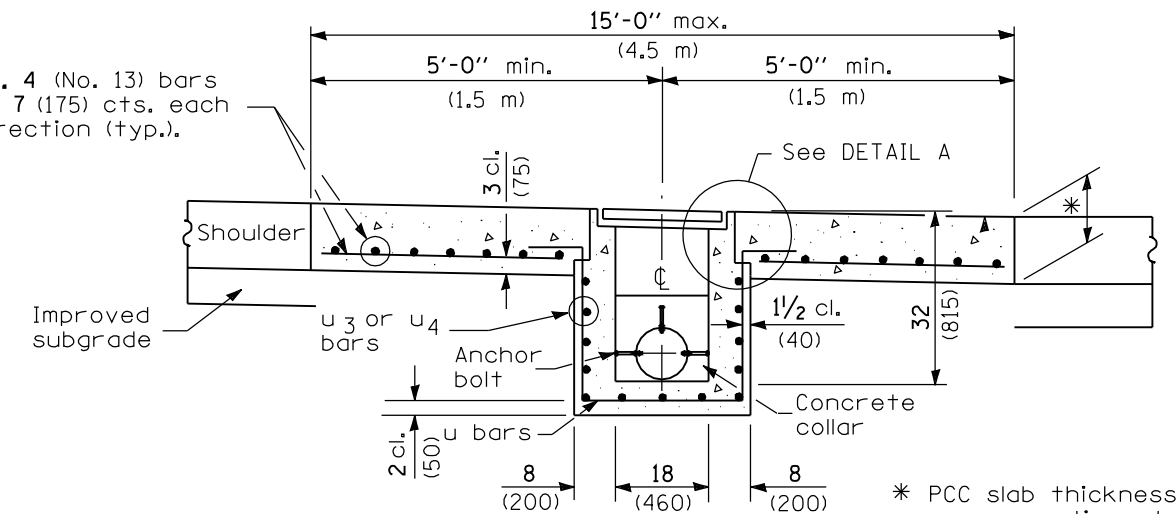


DETAIL A



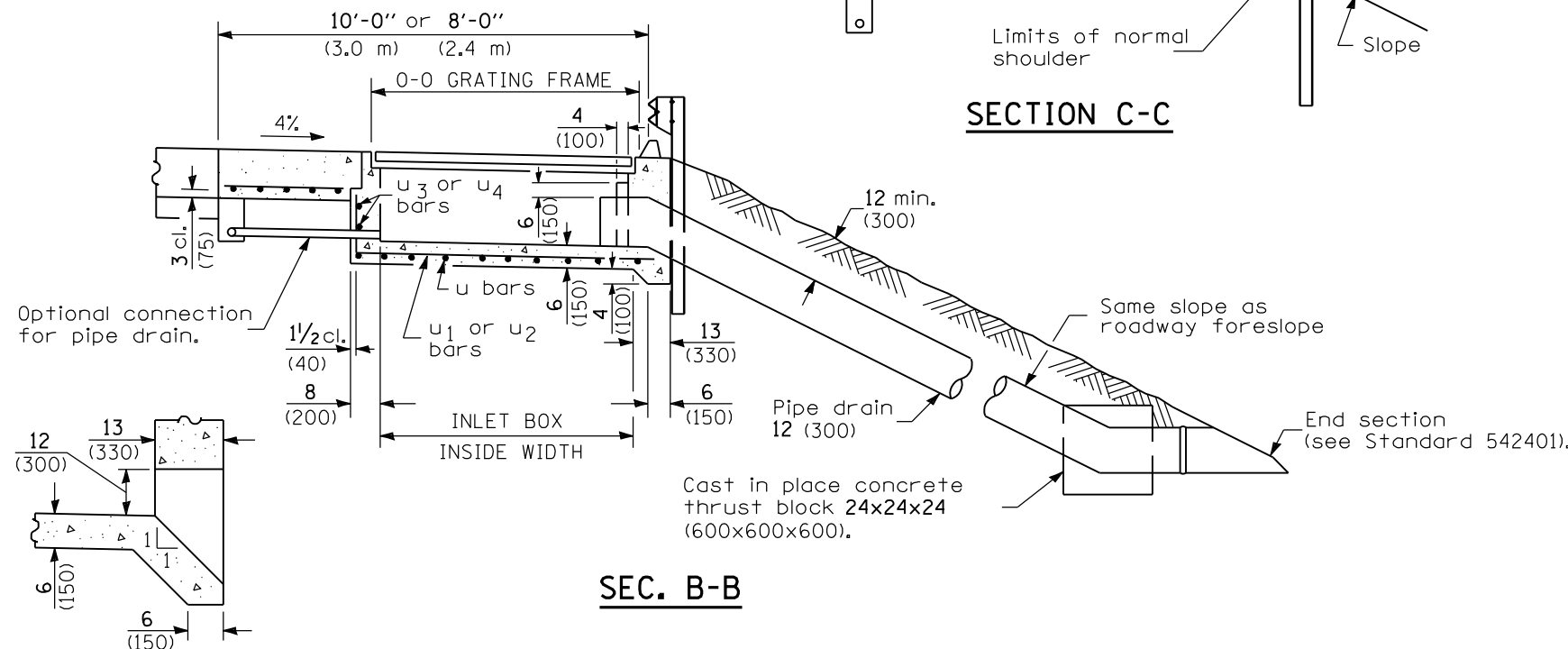
SECTION C-C

No. 4 (No. 13) bars on 7 (175) cts. each direction (typ.).



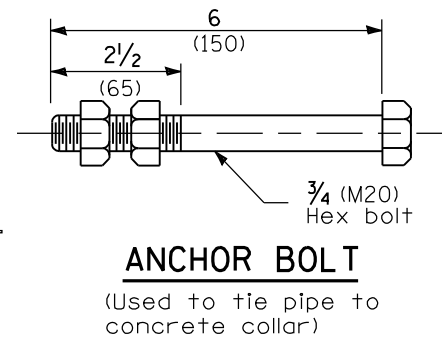
SEC. A-A

* PCC slab thickness same as adjacent shoulder.



SEC. B-B

BOX OUTLET WHEN PRECAST



ANCHOR BOLT

(Used to tie pipe to concrete collar)

GENERAL NOTES

See Standard 420001 for joint details not shown.

All exposed edges of the inlet, except the upper perimeter, shall be beveled 3/4 (20).

For placement of drainage elements on existing construction with existing rigid pavement, substitute expansion anchor ties for tie bars. For nonrigid pavements or monolithic construction of pcc slab and shoulder, omit tie bars.

All dimensions are in inches (millimeters) unless otherwise shown.

INLET TYPE	SHOULDER WIDTH	0-0 GRATING FRAME	INLET BOX INSIDE WIDTH	INLET BOX INSIDE LENGTH
Type E	8' (2.4 m)	4'-4" (1.325 m)	3'-11" (1.195 m)	18 (460)
Type F	10' (3.0 m)	6'-5" (1.960 m)	6'-0" (1.830 m)	18 (460)

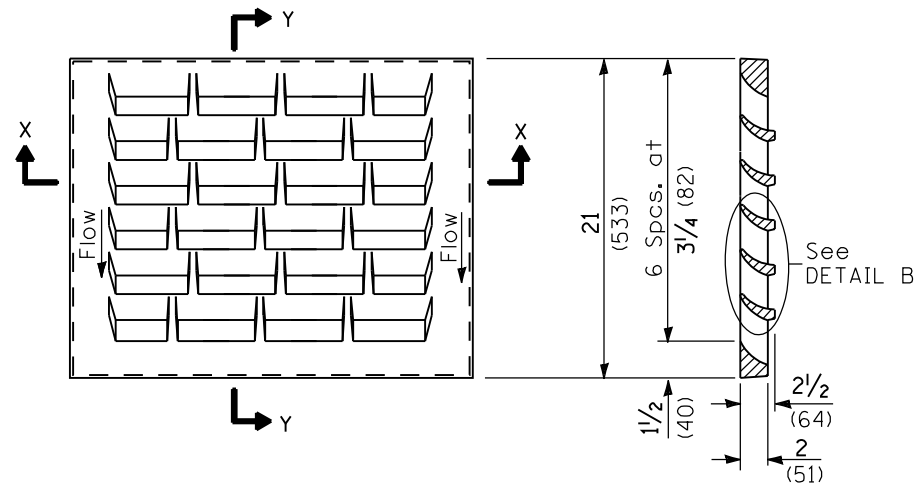
DATE	REVISIONS
1-1-09	Switched units to English (metric). Changed Def. B to MWG Sys.
1-1-07	Soft converted metric rebars. Switched to HMA terminology.

SHOULDER INLET WITH CURB

(Sheet 1 of 2)

STANDARD 610001-04

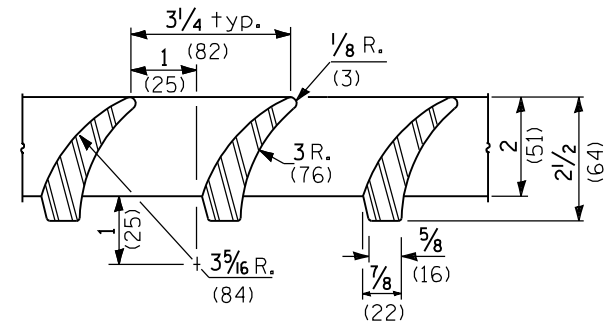
Illinois Department of Transportation
 PASSED January 1, 2009
 ENGINEER OF POLICY AND PROCEDURES
 APPROVED January 1, 2009
 ENGINEER OF DESIGN AND ENVIRONMENT



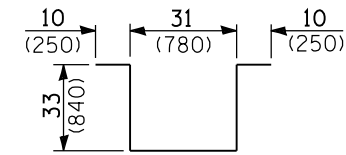
DETAIL OF CAST GRATE

Type E requires 2 grates
Type F requires 3 grates

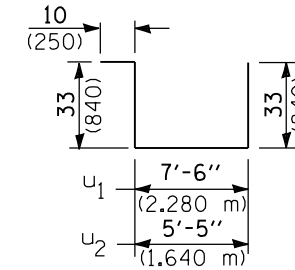
SECTION Y-Y



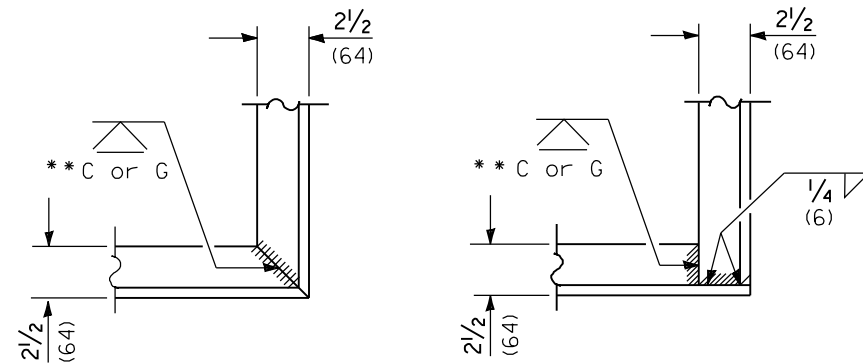
DETAIL B



BAR U



BARS U₁, U₂

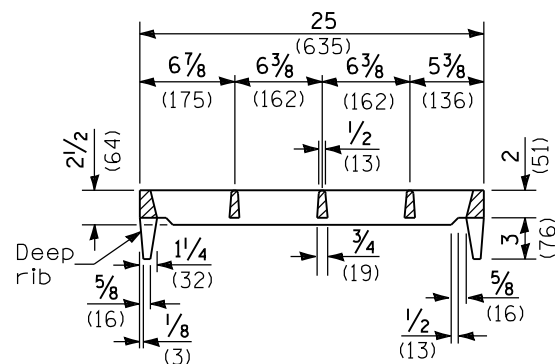


ALT. 1

ALT. 2

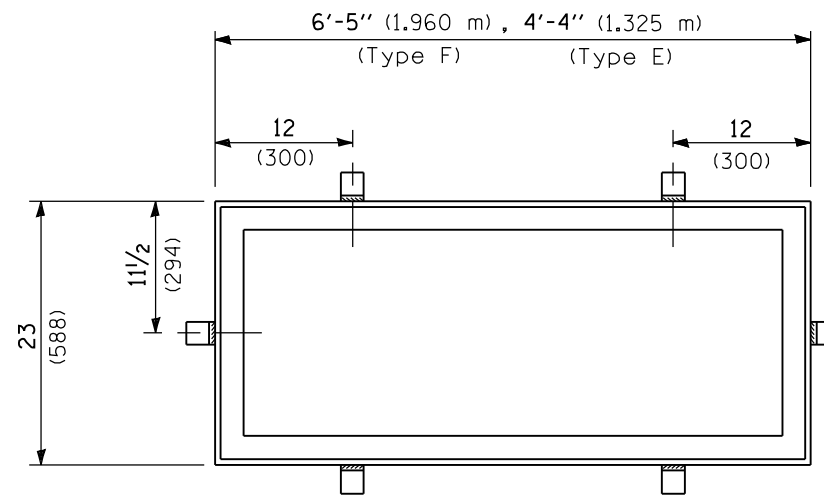
TYPICAL CORNER of STEEL GRATING FRAME

** Cut or Grind flush



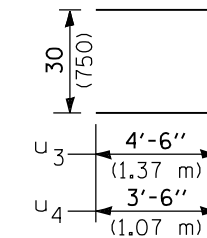
SECTION X-X

(Deep rib shall be omitted for end(s) resting on frame perimeter)



DETAIL OF STEEL FRAME

Cast frame to have same basic dimensions.



Bars U₃, U₄

INLET BOX

REQUIRED MATERIAL			
TYPE F			
Bar	Qty.	Size	Length
u	8	No. 4 (No. 13)	9'-9" (2.96 m)
u ₁	3	No. 4 (No. 13)	13'-10" (4.21 m)
u ₃	6	No. 4 (No. 13)	11'-6" (3.49 m)
Concrete	cu. yds. (m ³)	1.7 (1.3)	
Reinf. bars	lbs. (kg)	126 (57.2)	
Grating	sq. ft. (m ²)	10.9 (1.02)	
TYPE E			
Bar	Qty.	Size	Length
u	6	No. 4 (No. 13)	9'-9" (2.96 m)
u ₂	3	No. 4 (No. 13)	11'-9" (3.57 m)
u ₄	6	No. 4 (No. 13)	9'-6" (2.89 m)
Concrete	cu. yds. (m ³)	1.3 (1.0)	
Reinf. bars	lbs. (kg)	101 (45.8)	
Grating	sq. ft. (m ²)	7.3 (0.68)	

SHOULDER INLET WITH CURB

(Sheet 2 of 2)

STANDARD 610001-04

Illinois Department of Transportation
 PASSED January 1, 2009
 ENGINEER OF POLICY AND PROCEDURES
 APPROVED January 1, 2009
 ENGINEER OF DESIGN AND ENVIRONMENT