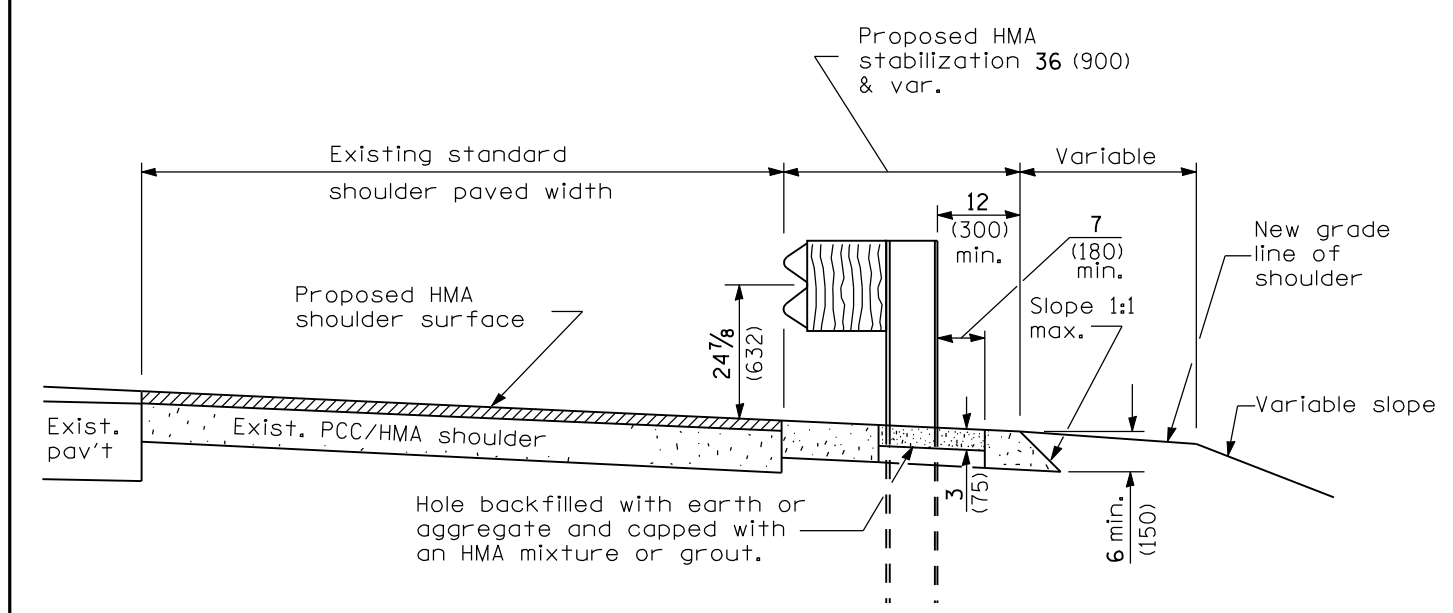
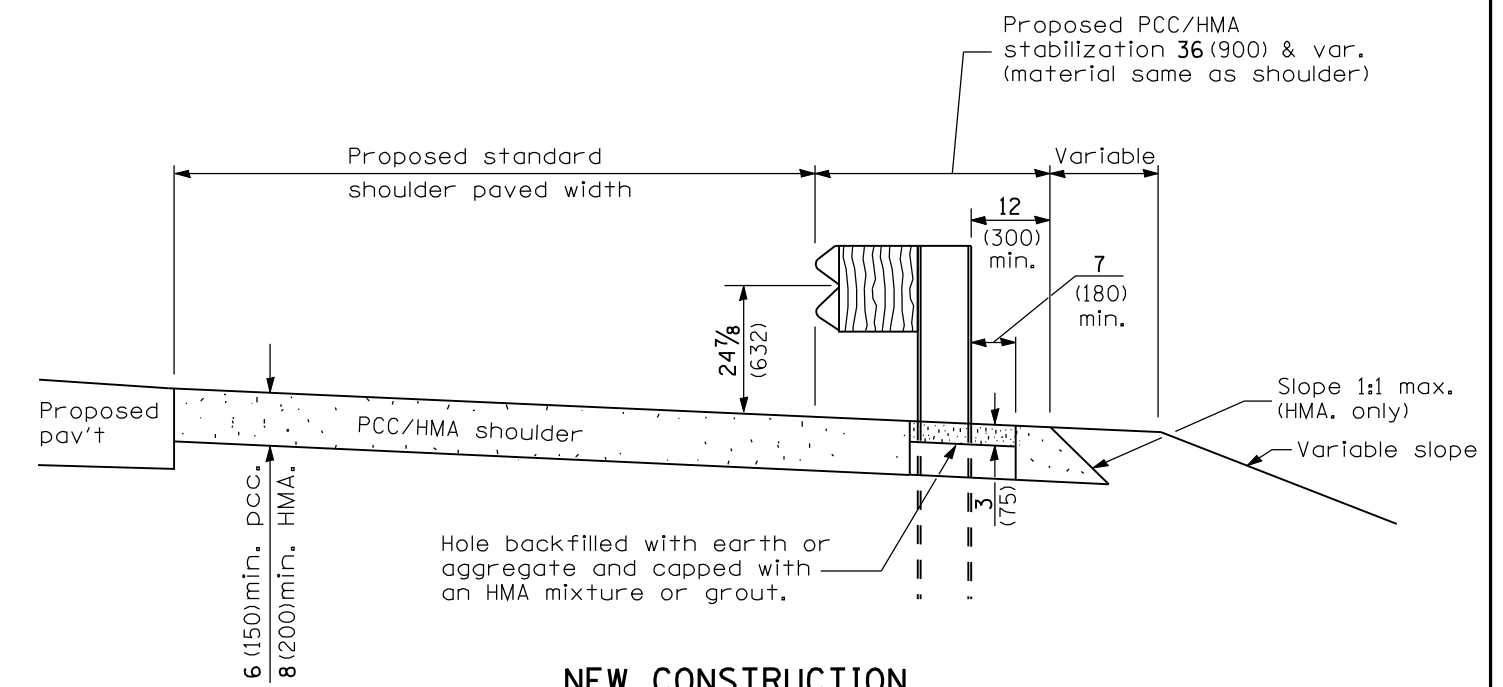


PLAN

For proprietary terminal sections, holes shall be according to the manufacturer's specifications. For generic terminals, 15 (380) cored holes or round blockouts are typical.



RESURFACING



NEW CONSTRUCTION

GENERAL NOTES

See Standard 482001, 482006, or 483001 for details not shown.

All dimensions are in inches (millimeters) unless otherwise shown.

Illinois Department of Transportation

PASSED January 1, 2009

ENGINEER OF POLICY AND PROCEDURES

APPROVED January 1, 2009

ENGINEER OF DESIGN AND ENVIRONMENT

ISSUED 1-1-07

DATE	REVISIONS
1-1-09	Switched units to English (metric).
1-1-08	Removed reference to "bituminous mixture or grout".

PCC/HMA STABILIZATION AT STEEL PLATE BEAM GUARDRAIL

STANDARD 630201-06