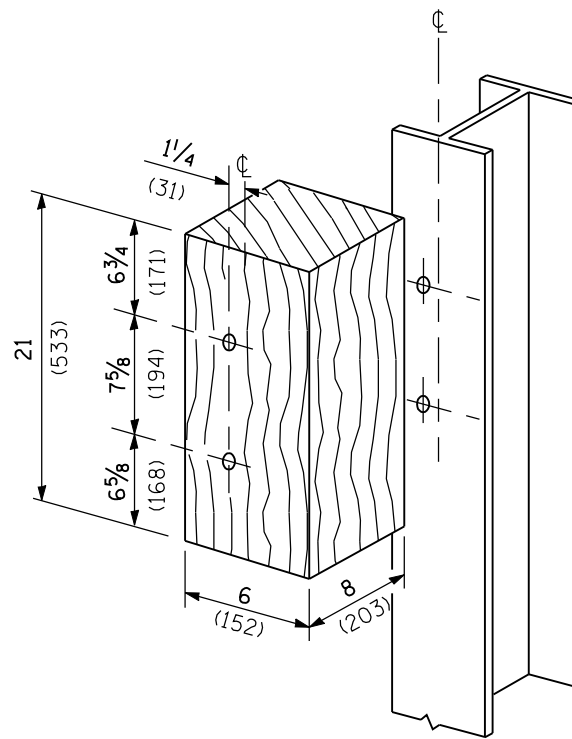
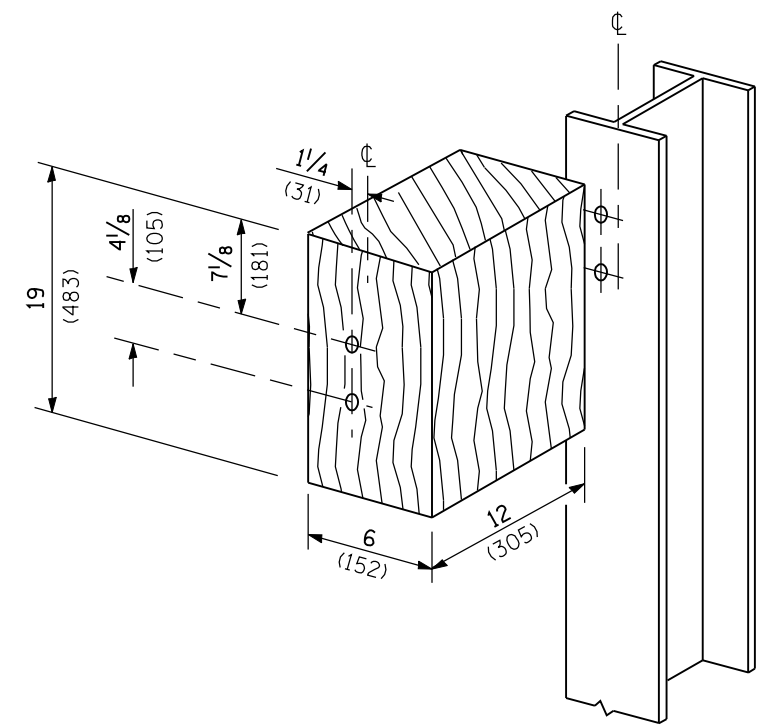


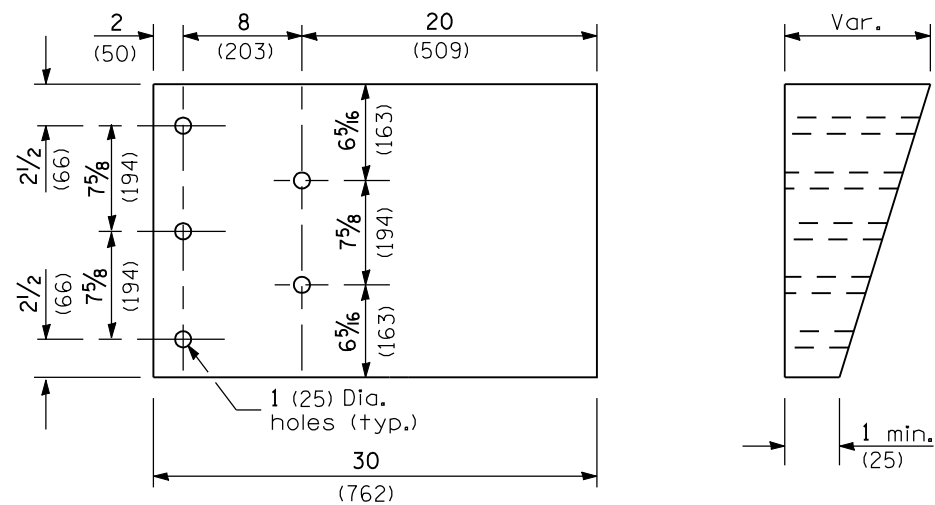
THRIE BEAM END SHOE DETAIL



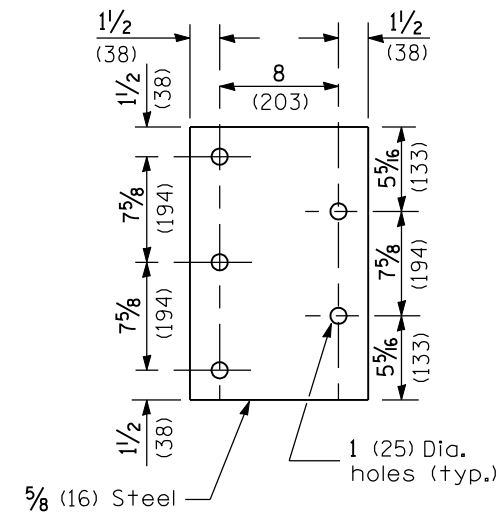
POSTS 1-11 WOOD BLOCKOUT DETAIL



POST 12 WOOD BLOCKOUT DETAIL
(See Standard 630001 for post 13-17 blockouts.)



PARAPET WOOD BLOCK-OUT DETAIL



PARAPET STEEL BEARING PLATE DETAIL

(5 each individual 5x5x5/8 (125x125x16) steel plates with centered 1 (25) holes may be substituted for the plate shown.)

Illinois Department of Transportation

PASSED January 1, 2009

ISSUED 1-1-09

ENGINEER OF POLICY AND PROCEDURES

APPROVED January 1, 2009

ENGINEER OF DESIGN AND ENVIRONMENT

**TRAFFIC BARRIER
TERMINAL, TYPE 6**

(Sheet 3 of 3)

STANDARD 631031-07