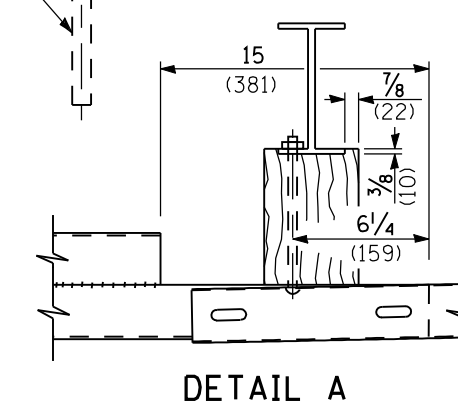
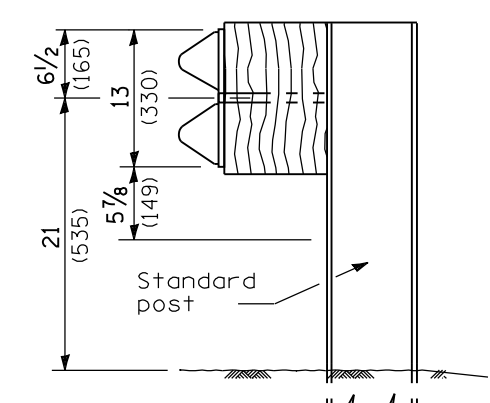
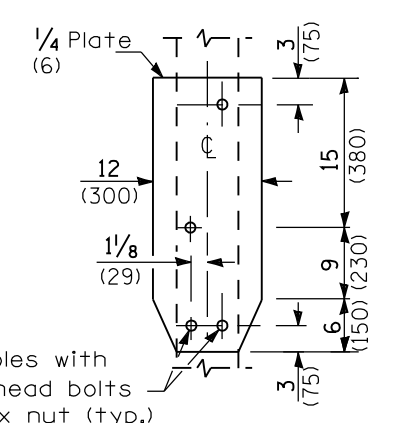


**DETAILS of BLOCK-OUTS**

\*\* ⌀ 3/4 (19) Dia. hole



**GENERAL NOTES**

See Standards 509001 and 630001 for details of guardrail elements not shown.

The Type 9 terminal shall be installed after the posts for the bridge retrofit rail have been located as shown on Standard 509001.

All dimensions are in inches (millimeters) unless otherwise shown.

DATE	REVISIONS
1-1-09	Switched units to English (metric).
10-1-98	Revised to wooden block-outs.

**TRAFFIC BARRIER TERMINAL TYPE 9**

**STANDARD 631041-02**

Illinois Department of Transportation

PASSED January 1, 2009

ISSUED 1-1-09

ENGINEER OF POLICY AND PROCEDURES

APPROVED January 1, 2009

ENGINEER OF DESIGN AND ENVIRONMENT