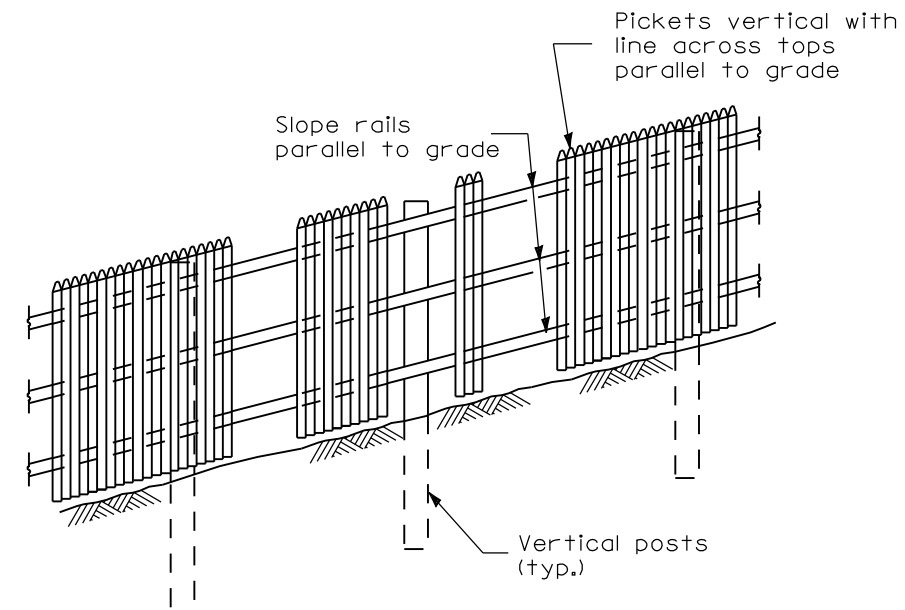
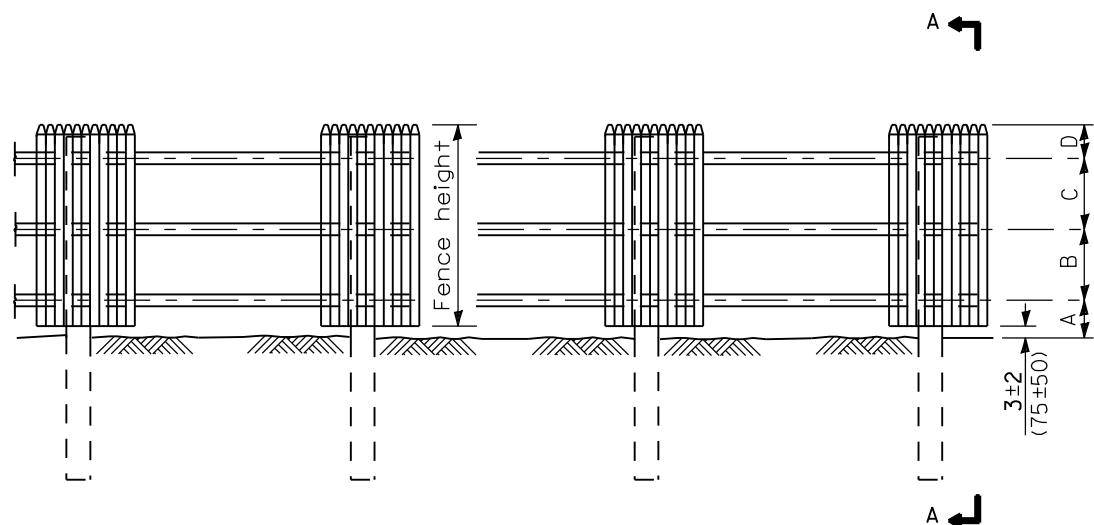


**PLAN**  
(Facing highway)

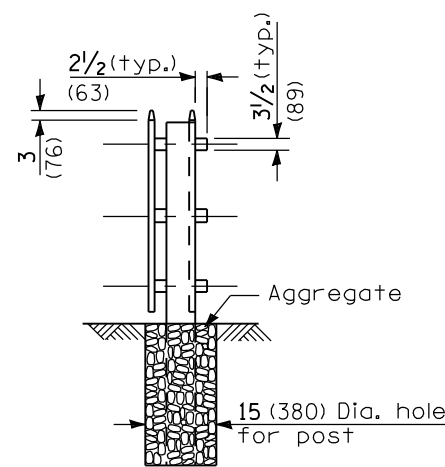
	FENCE HEIGHT	
	6'-0" (1.8 M)	8'-0" (2.4 m)
Post Size (nominal dim.)	6x8 (150X200)	8x8 (200x200)
Post Length	10'-0" (3.0 m)	14'-0" (4.3 m)
Post Embedment	4'-0" (1.2 m)	6'-0" (1.8 m)
A	15 (380)	18 (460)
B	24 (600)	33 (870)
C	24 (600)	33 (870)
D	12 (300)	15 (380)



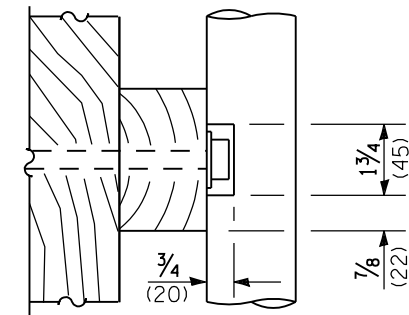
**ELEVATION**  
(Showing treatment with sloping ground)



**ELEVATION**

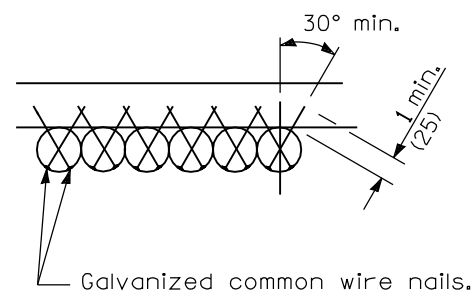


**SEC. A-A**

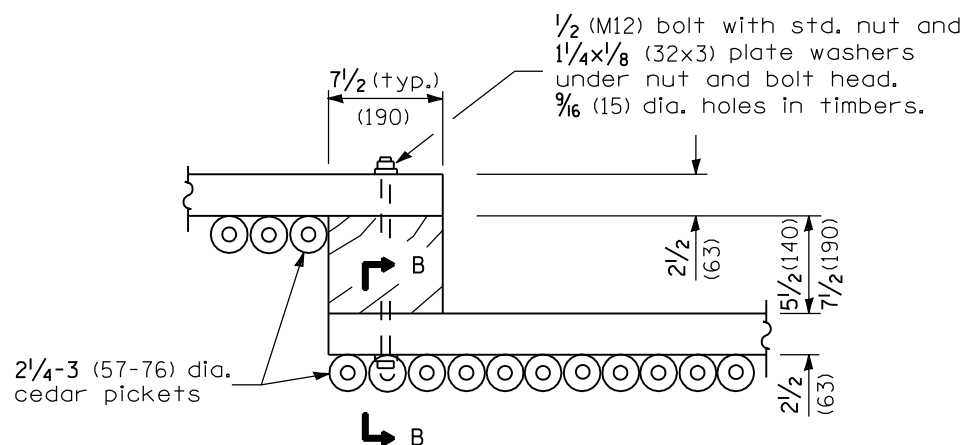


**SECTION B-B**

(Notch pickets when required to clear washer and bolt head.)



**DETAIL A**  
(Showing typical picket to rail attachment)



**DETAIL B**

(Showing typical panel to post connection at each rail.)

**GENERAL NOTES**

Loading is based on 80 mph (130 km/h) with 30% gust factor. Minimum allowable soil pressure = 1.25 tsf (120 kPa).

All dimensions are in inches (millimeters) unless otherwise shown.

DATE	REVISIONS
1-1-09	Switched units to English (metric). Changed Sec. B-B to Detail B.
1-1-97	Renum. Standard 2367-3. Deleted DN Symbol.

**SIGHT SCREEN CEDAR STOCKADE FENCE TYPE S**

**STANDARD 641001-01**

Illinois Department of Transportation

APPROVED January 1, 2009  
*Ralph E. Anderson*  
ENGINEER OF BRIDGES AND STRUCTURES

APPROVED January 1, 2009  
*Ken E. Han*  
ENGINEER OF DESIGN AND ENVIRONMENT

ISSUED 1-1-97