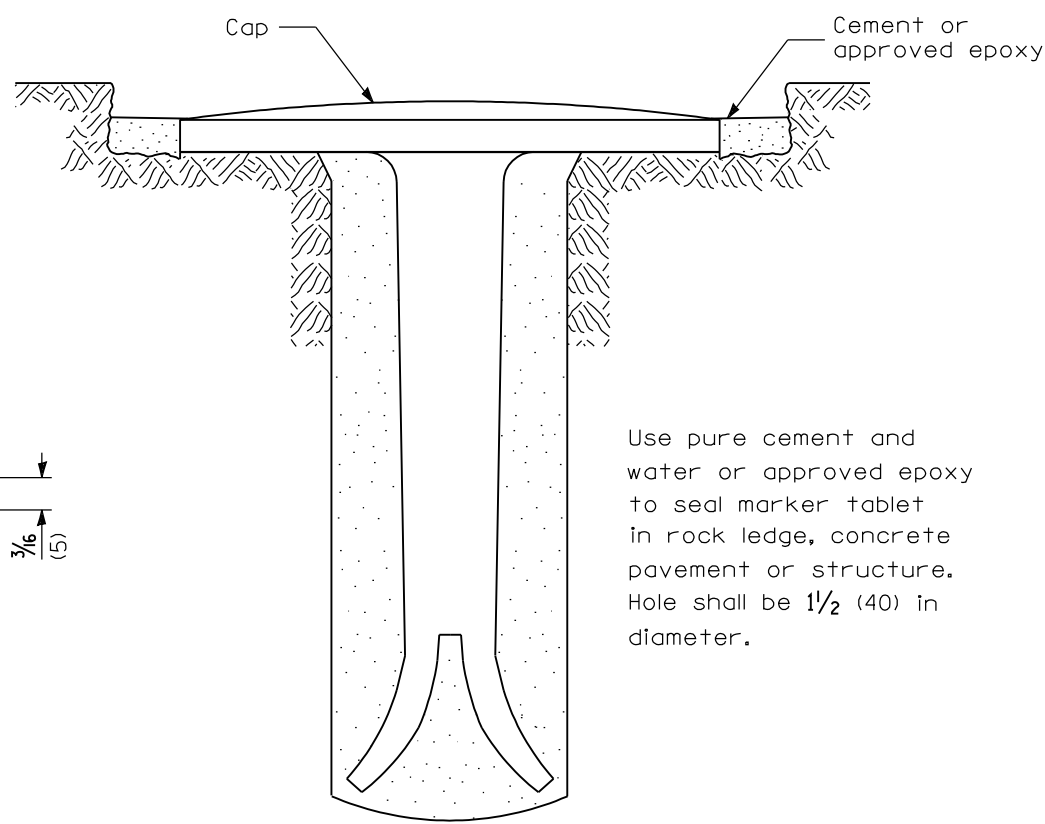


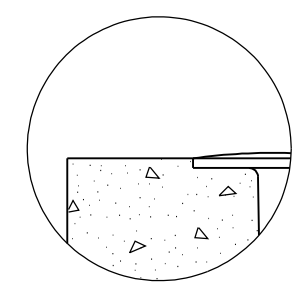
ALUMINUM TABLET



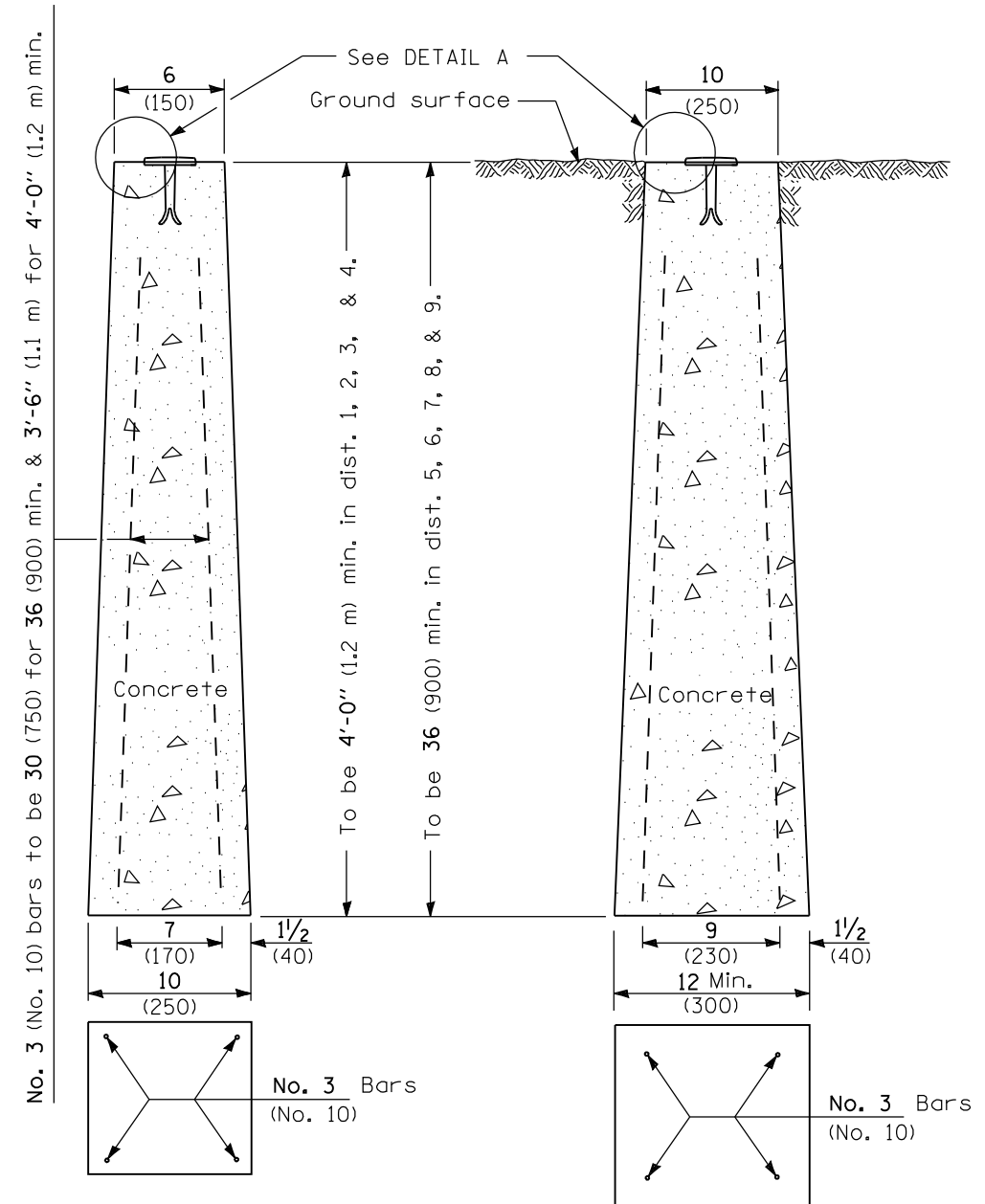
Use pure cement and water or approved epoxy to seal marker tablet in rock ledge, concrete pavement or structure. Hole shall be 1/2 (40) in diameter.

Tablet constructed in rock ledge or concrete.

TYPE I



DETAIL A



PRECAST MARKER

CAST-IN-PLACE MARKER

TYPE II

All dimensions are in inches (millimeters) unless otherwise shown.

Illinois Department of Transportation	
PASSED	January 1, 2009
ENGINEER OF POLICY AND PROCEDURES	<i>Scott S. ...</i>
APPROVED	January 1, 2009
ENGINEER OF DESIGN AND ENVIRONMENT	<i>Ken E. ...</i>
ISSUED	1-1-97

DATE	REVISIONS
1-1-09	Switched units to English (metric).
1-1-97	Renum. Standard 2135-1.

PERMANENT SURVEY MARKERS

STANDARD 667101-01