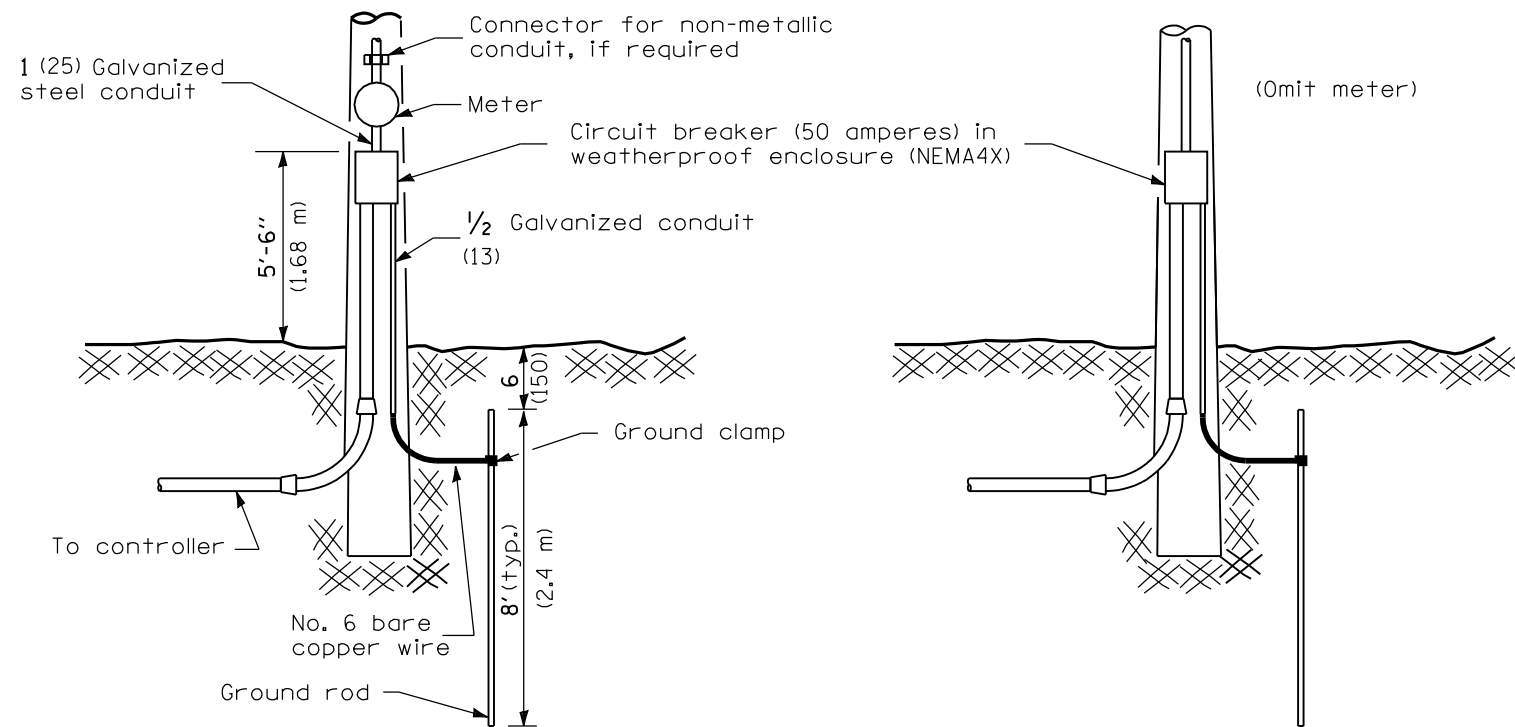
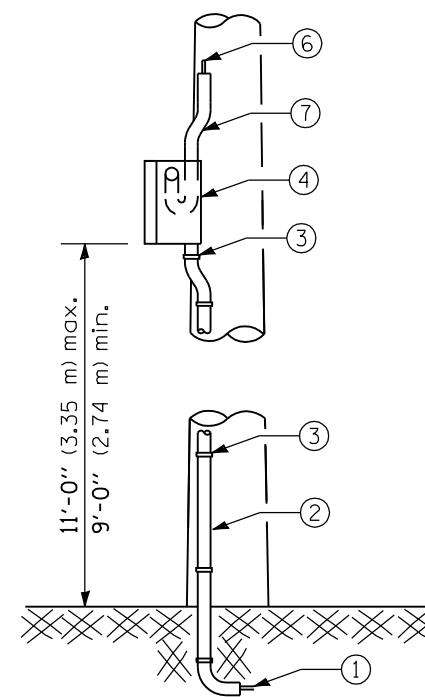


Except for the changes noted below, details for TYPE A and TYPE B service installations shall correspond.



**TYPE A**

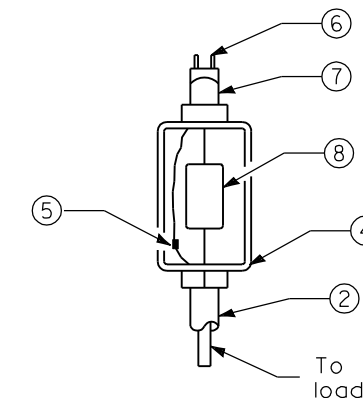
**TYPE B**



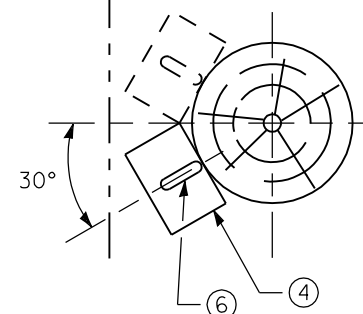
The following equipment is to be furnished and installed on the TYPE C installation.

- ① = Cable in conduit (electric cable, No. 6, 2/C except where otherwise specified)
- ② = Galvanized steel conduit 1/4 (32) with bend
- ③ = Galvanized conduit clamps
- ④ = Aluminum weatherproof box with gasketed cover. Weatherproof box shall be installed facing the adjacent property line. (See diagram for alternate installation.)
- ⑤ = Ground stud for neutral connection
- ⑥ = Service cables
- ⑦ = Offset weatherproof fitting
- ⑧ = Circuit breaker

**TYPE C**



Property line



**ALTERNATE INSTALLATION**

(Installation when weatherproof box cannot be installed facing the adjacent property line.)

All dimensions are in inches (millimeters) unless otherwise shown.

DATE	REVISIONS
1-1-09	Switched units to English (metric).
1-1-02	Renum. Standard 2373-1.

**ELECTRICAL SERVICE INSTALLATION DETAILS**

**STANDARD 805001-01**

Illinois Department of Transportation

APPROVED January 1, 2009  
*[Signature]*  
 ENGINEER OF OPERATIONS

APPROVED January 1, 2009  
*[Signature]*  
 ENGINEER OF DESIGN AND ENVIRONMENT

ISSUED 1-1-02