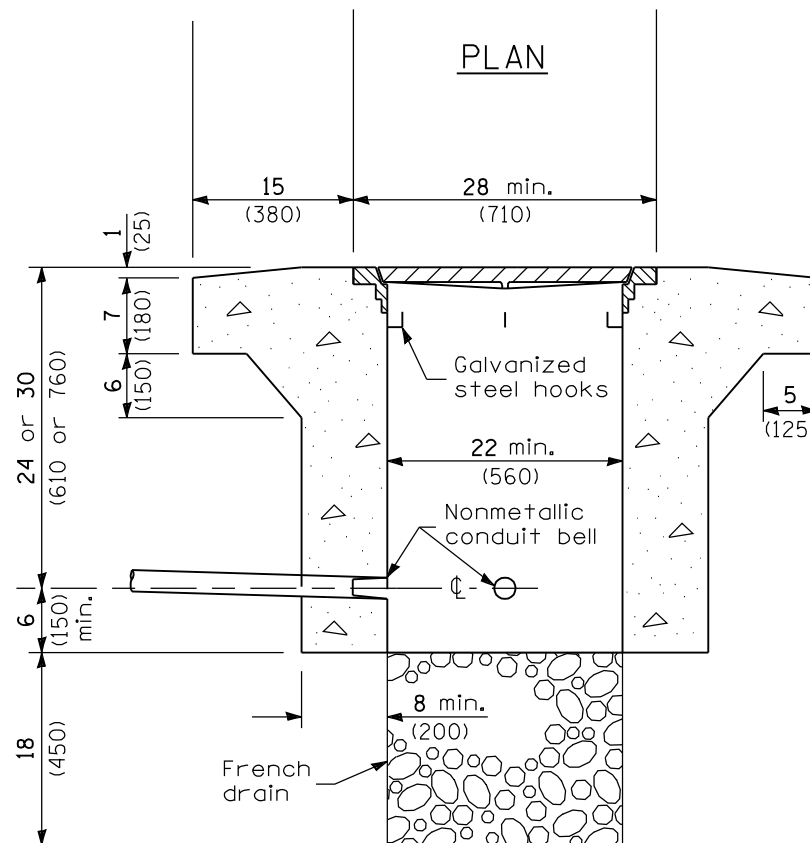
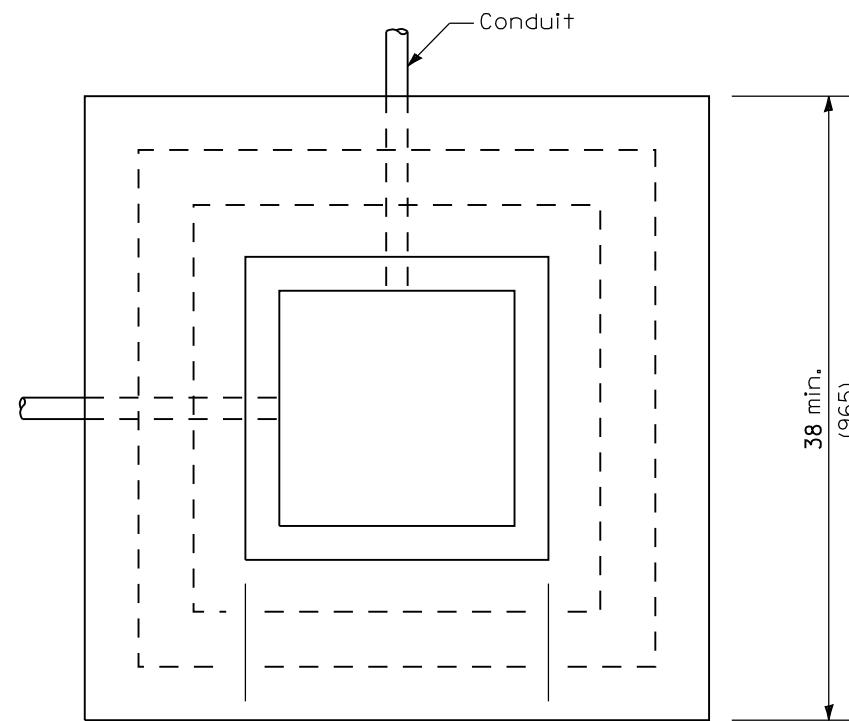


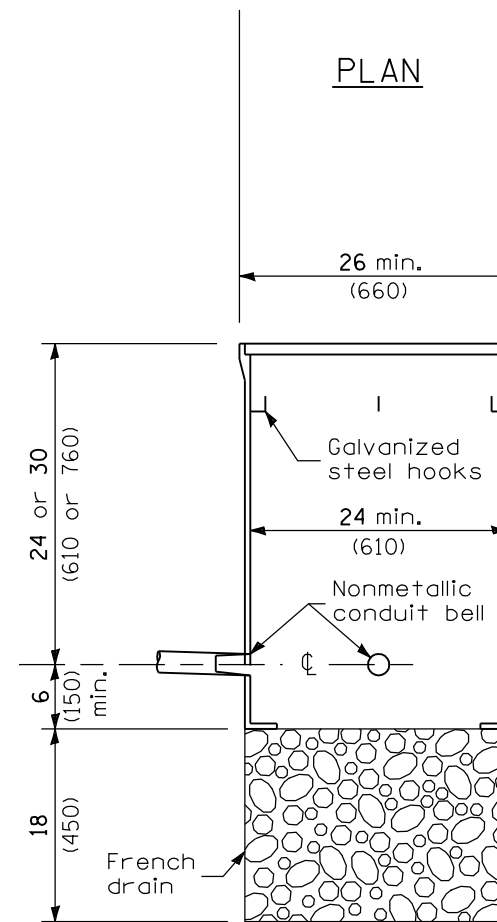
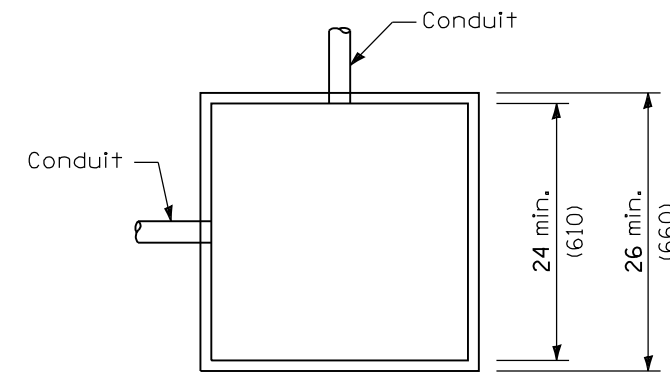
ELEVATION

PORTLAND CEMENT CONCRETE



ELEVATION

PORTLAND CEMENT CONCRETE
HEAVY DUTY



ELEVATION

COMPOSITE CONCRETE

All dimensions are in inches (millimeters) unless otherwise shown.

Illinois Department of Transportation

APPROVED January 1, 2009
ENGINEER OF OPERATIONS

APPROVED January 1, 2009
ENGINEER OF DESIGN AND ENVIRONMENT

ISSUED 1-1-97

DATE	REVISIONS
1-1-09	Switched units to English (metric).
1-1-07	Revised composite conc. handhole. Rem. weights of frames and covers.

HANDHOLES

STANDARD 814001-02