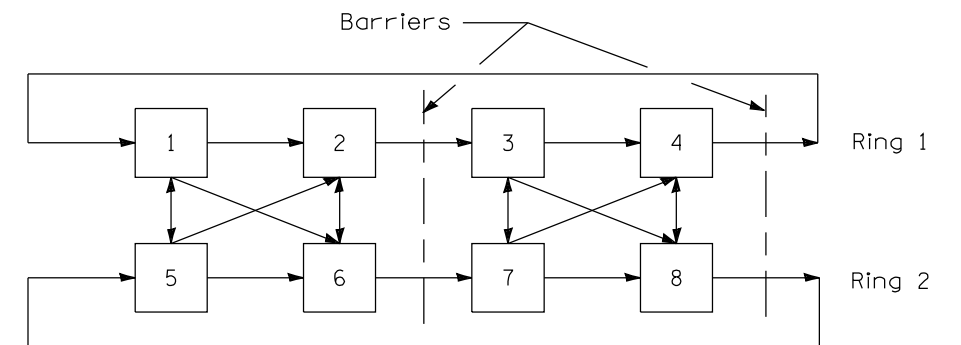


STANDARD PHASE DESIGNATION DIAGRAM (NEMA)



NEMA EIGHT PHASE DUAL RING
ACTUATED CONFIGURATION

LEGEND

- (X) , [X] Vehicular phase no. x
- (PX) Pedestrian phase no. x
- (A) , (B) , (C) , (D) Right turn overlaps where:
 - (A) = (2) + (3)
 - (B) = (4) + (5)
 - (C) = (6) + (7)
 - (D) = (8) + (1)
- NEMA National Electrical Manufacturers Association

DATE	REVISIONS
1-1-09	Omitted note regarding units of length.
1-1-97	Renum. Standard 2393-2.

STANDARD PHASE
DESIGNATION DIAGRAMS
AND PHASE SEQUENCES
(Sheet 1 of 2)

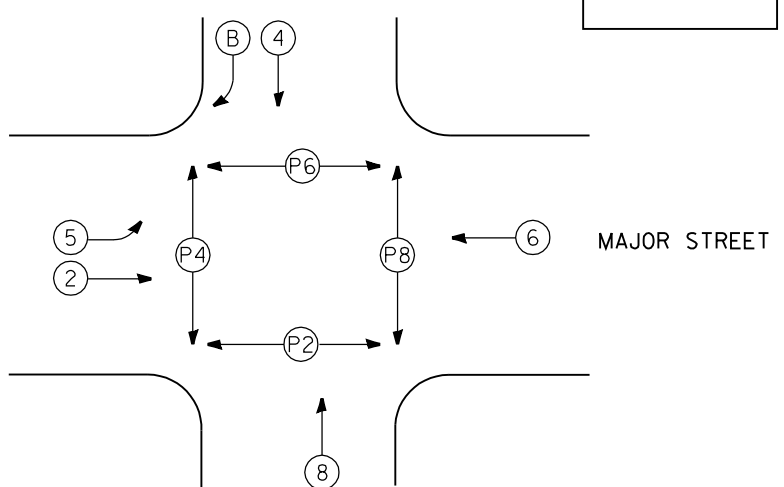
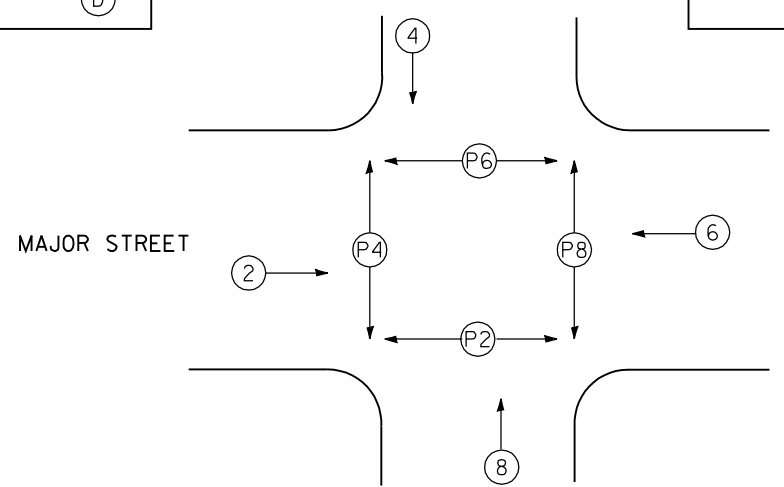
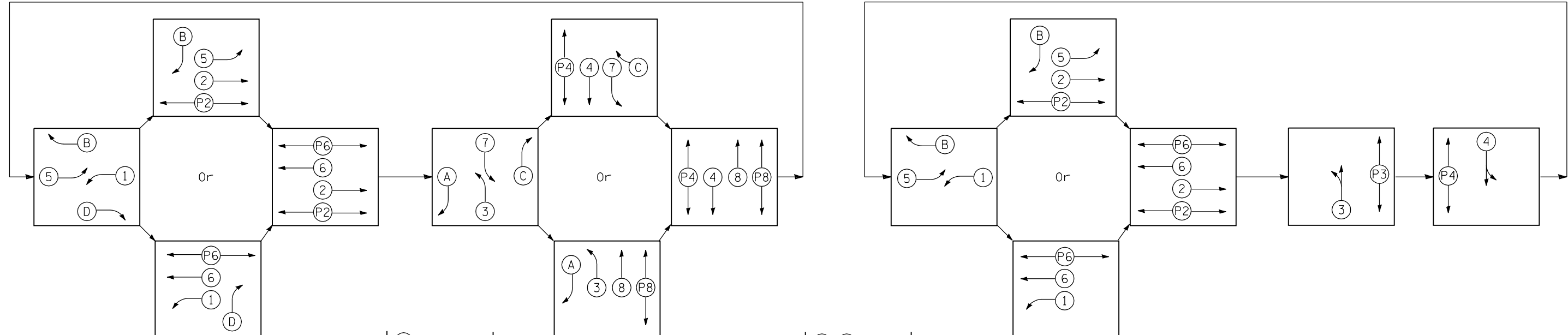
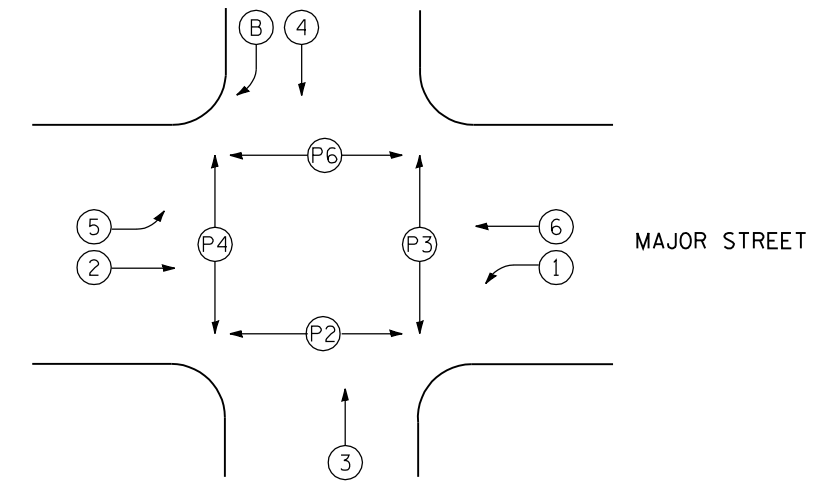
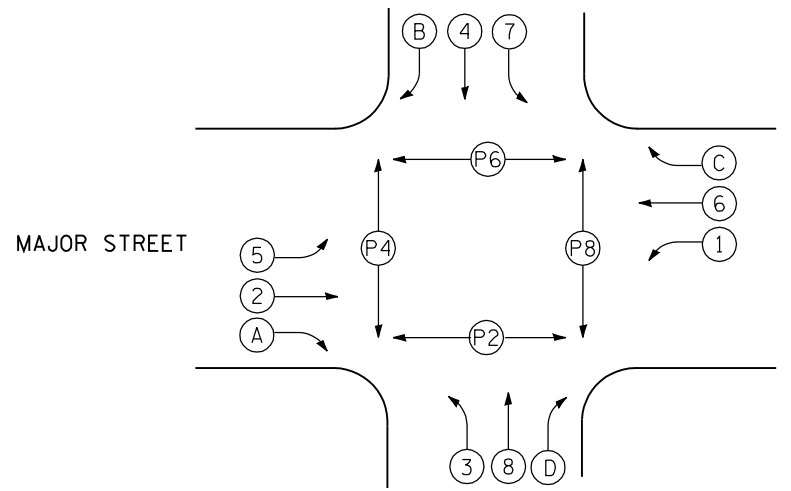
STANDARD 857001-01

Illinois Department of Transportation

APPROVED January 1, 2009
ENGINEER OF OPERATIONS

APPROVED January 1, 2009
ENGINEER OF DESIGN AND ENVIRONMENT

ISSUED 1-1-97



LEGEND

(X) , [X] Vehicular phase no. x

(PX) Pedestrian phase no. x

(A) , (B) , (C) , (D) Right turn overlaps where:

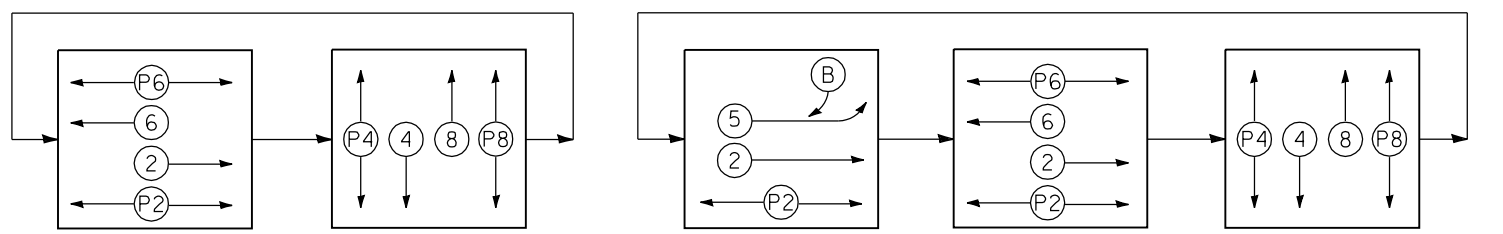
(A) = (2) + (3)

(B) = (4) + (5)

(C) = (6) + (7)

(D) = (8) + (1)

NEMA National Electrical Manufacturers Association



PHASE DESIGNATION DIAGRAMS AND CORRESPONDING PHASE SEQUENCES

Illinois Department of Transportation

APPROVED January 1, 2009
ENGINEER OF OPERATIONS

APPROVED January 1, 2009
ENGINEER OF DESIGN AND ENVIRONMENT

ISSUED 1-1-97

STANDARD PHASE DESIGNATION DIAGRAMS AND PHASE SEQUENCES
(Sheet 2 of 2)

STANDARD 857001-01