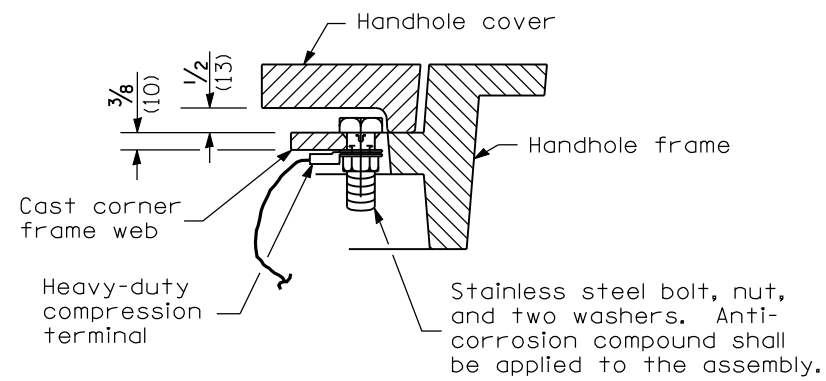
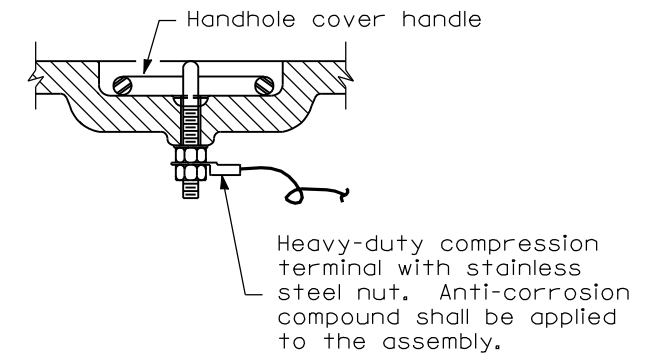


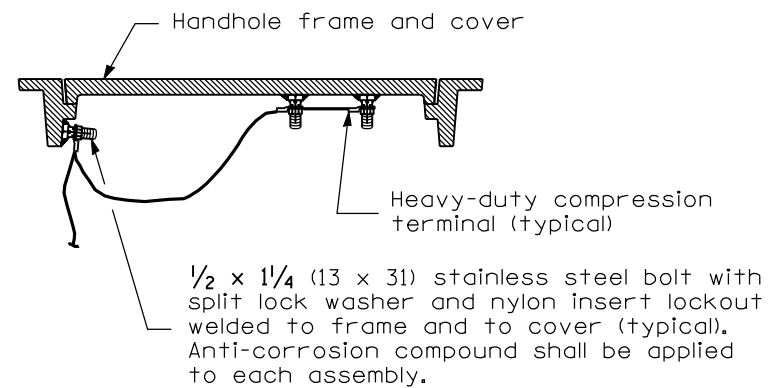
**BONDING A HANDHOLE COVER & FRAME**



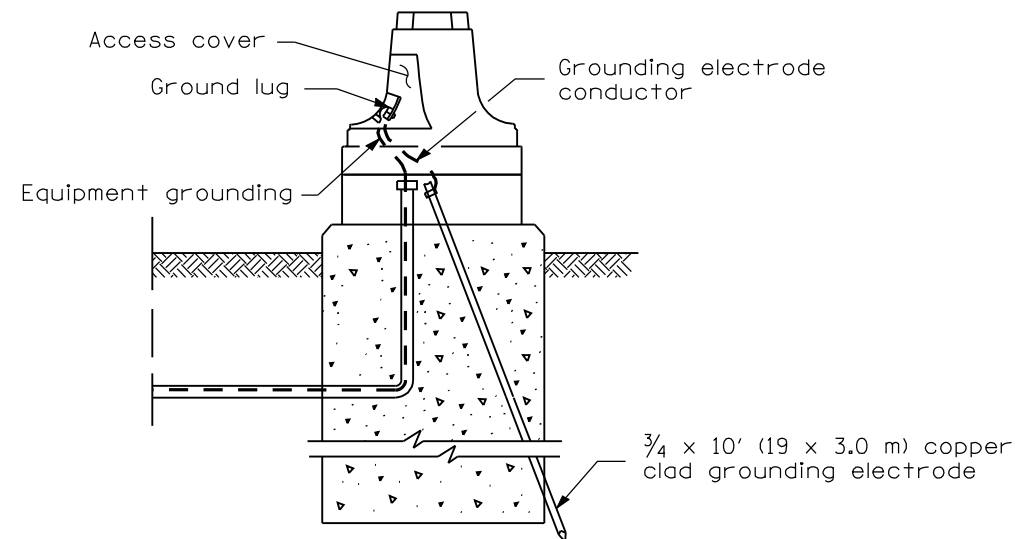
**DETAIL "A"**



**DETAIL "B"**



**BONDING AN EXISTING HANDHOLE COVER & FRAME**



**GROUNDING A MAST ARM POLE/POST**



**HEAVY-DUTY COMPRESSION TERMINAL**



**HEAVY-DUTY GROUND ROD CLAMP**

3/4 (19) Clamp Size

All dimensions are in inches (millimeters) unless otherwise shown.

DATE	REVISIONS
1-1-09	Switched units to English (metric).
1-1-07	Revised terminology.

**TRAFFIC SIGNAL GROUNDING & BONDING**

**STANDARD 873001-02**

Illinois Department of Transportation

APPROVED January 1, 2009  
ENGINEER OF OPERATIONS

APPROVED January 1, 2009  
ENGINEER OF DESIGN AND ENVIRONMENT

ISSUED 4-1-06