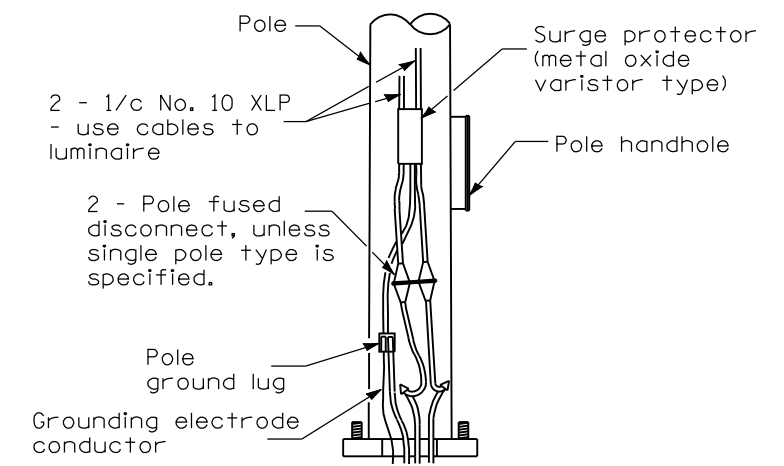
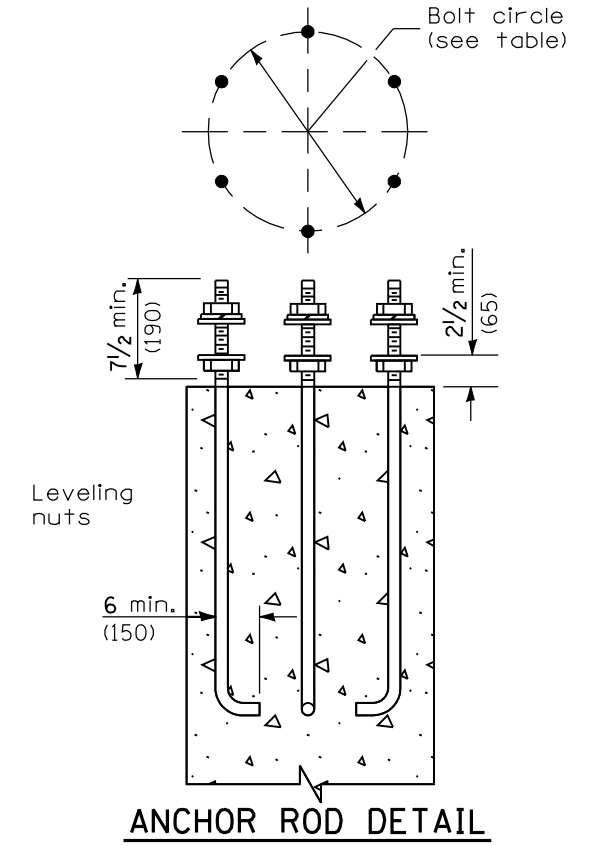
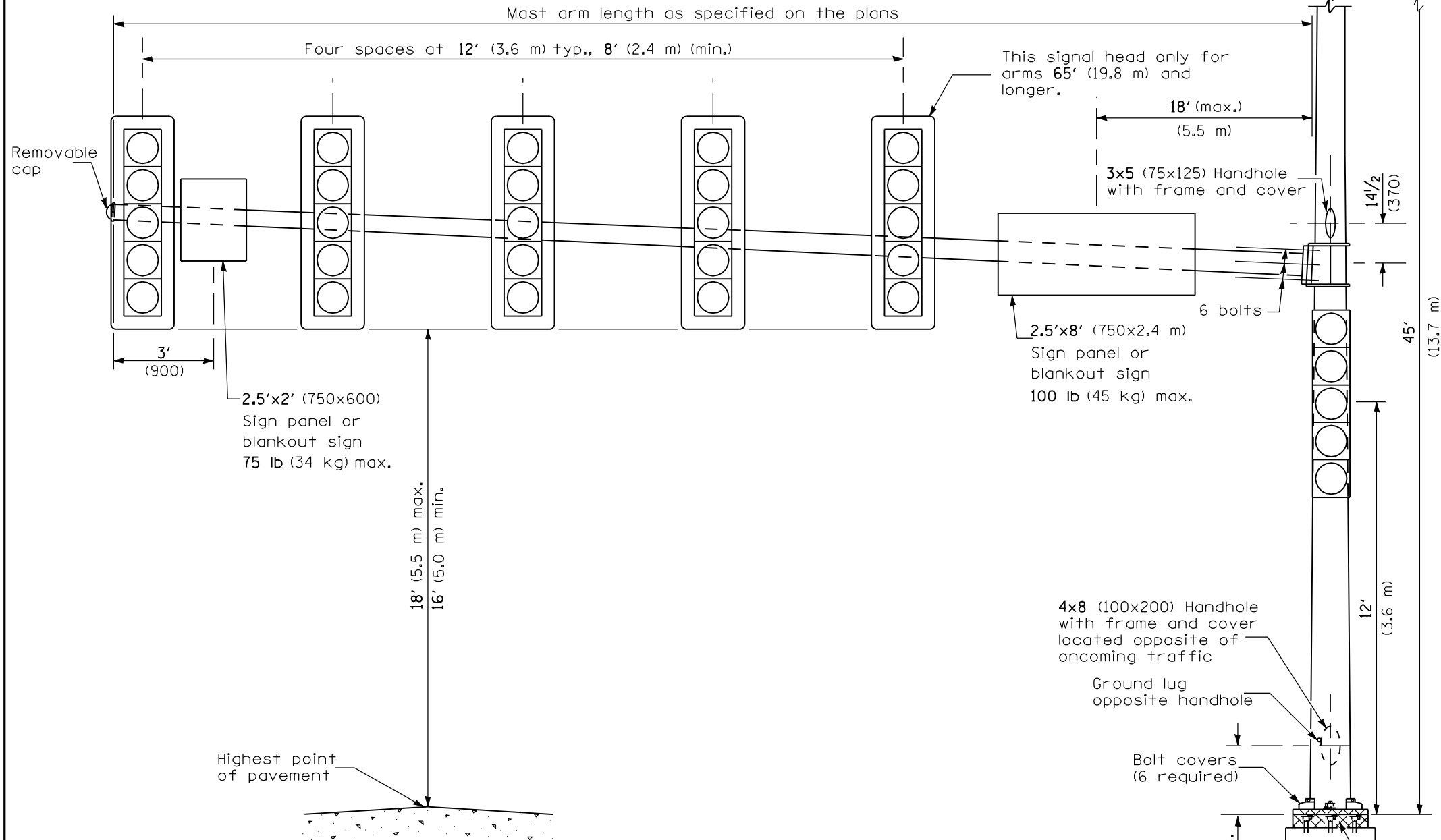
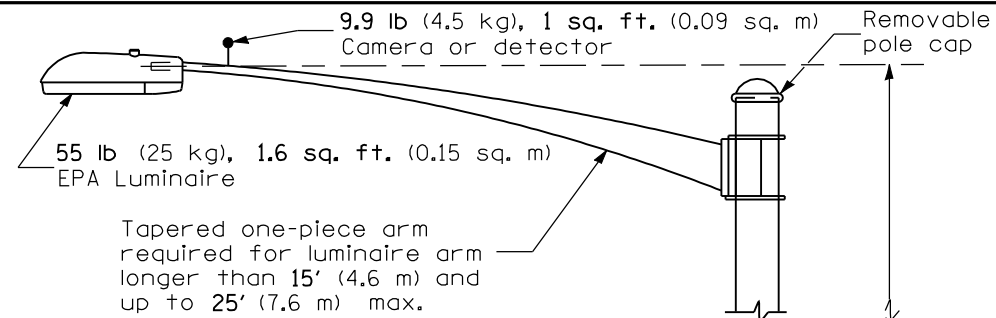


Note: The tenon top shall support a bullhorn fitting with two (twin) vertically mounted luminaires (clamp-mounted bullhorn assembly with removable pole cap acceptable). Each luminaire shall weigh 100 lb (45 kg) and have an effective projected (EPA) area of 3.85 sq. ft. (0.36 sq. m).



GENERAL NOTES
Signal heads, sign panels, and other attachments are shown for minimum design loading purposes only. Each signal head shall weigh 80 lb (36 kg) and have a projected area of 14.7 sq. ft. (1.37 sq. m).
All dimensions are in inches (millimeters) unless otherwise shown.

MAST ARM LENGTH	BOLT CIRCLE	ANCHOR ROD SIZE
56' thru 64' (17.1 m thru 19.8 m)	24 (610)	1 3/4 x 7' (44 x 2.10 m)
65' thru 75' (20.1 thru 22.9 m)	27 (686)	2 x 7'-6" (51 x 2.30 m)

DATE	REVISIONS
1-1-09	Switched units to English (metric).
1-1-08	New standard.

STEEL COMB. MAST ARM ASSEMBLY AND POLE 56' THROUGH 75'
STANDARD 877012-01

Illinois Department of Transportation
APPROVED January 1, 2009
ENGINEER OF OPERATIONS
APPROVED January 1, 2009
ENGINEER OF DESIGN AND ENVIRONMENT