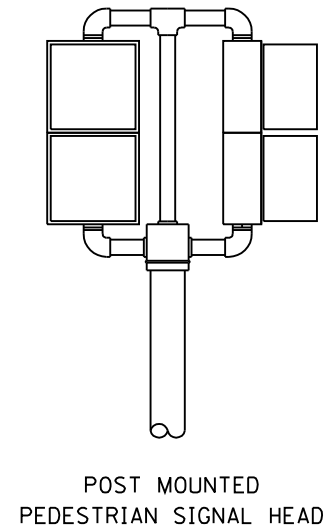
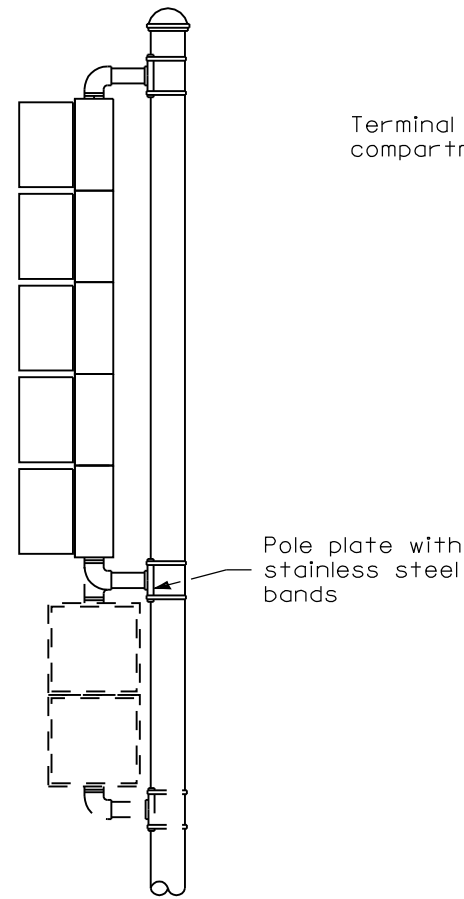


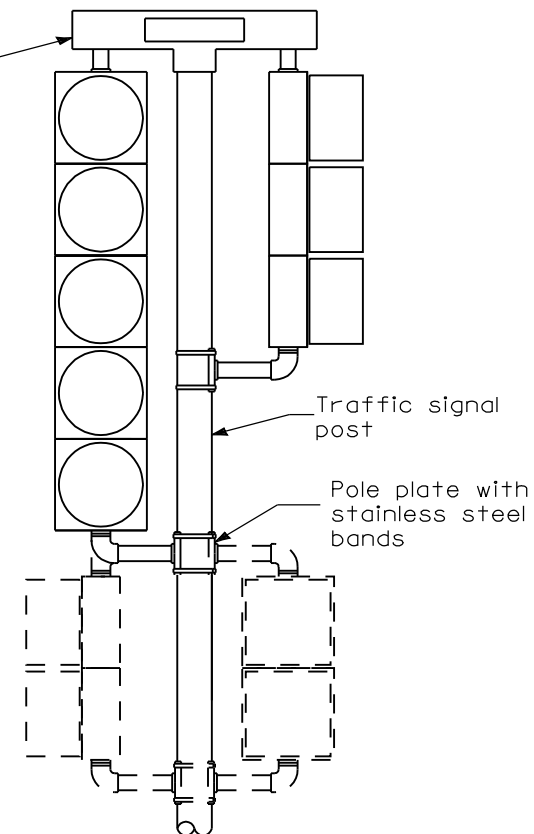
ONE WAY



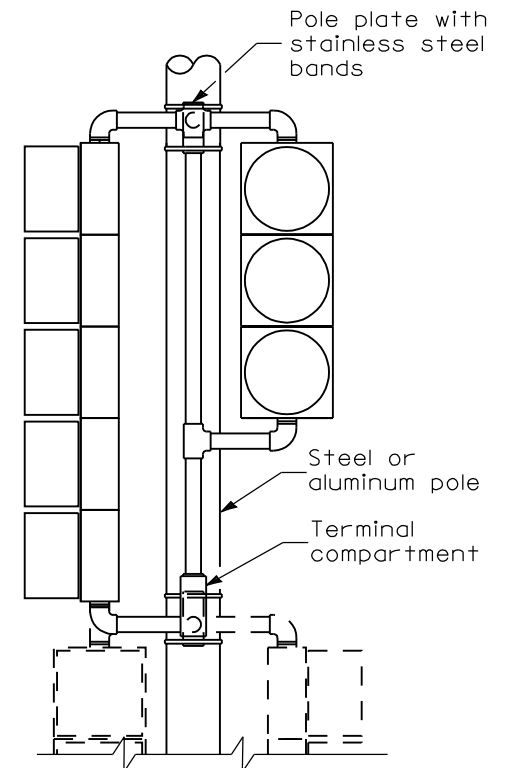
TWO WAY



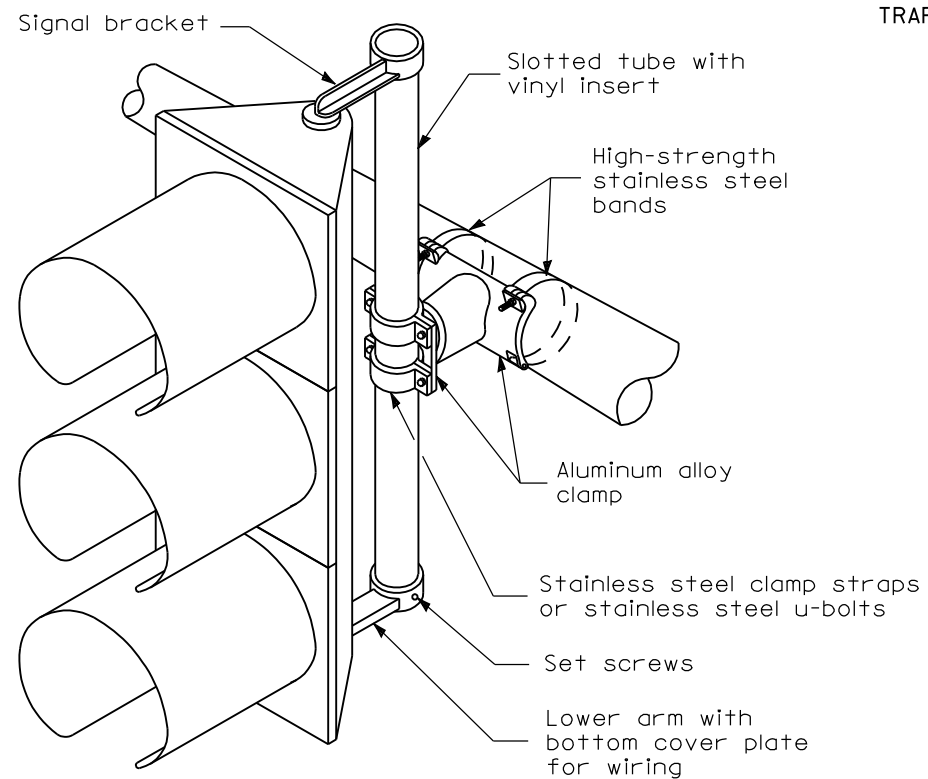
ONE WAY



TWO WAY



TWO WAY



STEEL MAST ARM MOUNTING

DATE	REVISIONS
1-1-09	Omitted note regarding units of length.
1-1-02	Renum. Standard 840006.

TRAFFIC SIGNAL MOUNTING DETAILS

STANDARD 880006-01

Illinois Department of Transportation

APPROVED January 1, 2009
 ENGINEER OF OPERATIONS
 APPROVED January 1, 2009
 ENGINEER OF DESIGN AND ENVIRONMENT

ISSUED 1-1-02