

State of Illinois  
DEPARTMENT OF TRANSPORTATION  
Bureau of Materials and Physical Research

PRODUCTS EVALUATION CIRCULAR  
Number 2011-2

December 13, 2011

IMPORTANT

The Products Evaluation Circular is not an approved products list. All evaluations reported herein have been made for the benefit of the Illinois Department of Transportation (IDOT). Acceptance or rejection of a product applies to the specific use by the Illinois Department of Transportation for which it was evaluated and does not extend to other uses or use by other agencies. All products and materials must meet current IDOT specs or special provisions to be used on IDOT projects. All products are subject to reevaluation. The contents of this report are not to be reproduced or republished either in whole or in part.

ILLINOIS DEPARTMENT OF TRANSPORTATION

## CONTENTS

	Page
Alphabetical Index of Products	A-1
Index of Manufacturers	B-1
Index of Products by Category	C-1
Status of Numbered Product Proposals	D-1
Evaluations Completed Since Last Circular	E-1
December 13, 2011 - New Proposals	F-1
News Item (not used)	G-1

**ALPHABETICAL INDEX OF PRODUCTS**  
**December 13, 2011**

<u>Product Name</u>	<u>Number</u>	<u>Manufacturer</u>	<u>Status</u>
4727 Zinc-Hydrogel Anode	480	Minnesota Mining & Manufacturing	R
A-2000	362	Armco, Incorporated	A
Acroflex	63	Gordon Bartels Company	W
Adcolite	74	American Decal & Manufacturing Co.	A
Adjus-to-Grade	76	National Utility Products Company	A
ADS End Sections	390	Advanced Drainage Systems	R
Air-O-Form	403	Concepts in Concrete, Incorporated	W
Akwadrain	383	American Wick Drain Company	R
Albitol	292	American Vamag Company, Inc.	W
Alidrain	296	Vibroflotation Foundation Company	A
All-Weather Crete HI-45	102	Silbrico Corporation	A
Alumanation No. 301	165	Republic Powdered Metals	A
Aluminized Steel Type 1 CMP	486	St. Regis Culvert, Incorporated	A
Aluminized Steel Type 2 CMP	294	Armco, Incorporated	A
Aluminized Steel Type 2 Fence Tubing	334	Armco, Incorporated	A
Aluminum Box Culvert	304	Kaiser Aluminum, Incorporated	A
Aluminum Culvert (Wide Sheet)	39	Kaiser Aluminum, Incorporated	A
Aluminum Guard Rail	31	ALCOA	R
Aluminum Pipe Arch	11	Kaiser Aluminum, Incorporated	A
Aluminum Sectional Plate	46	Kaiser Aluminum, Incorporated	A
Aluminum Storm Sewer	88	Kaiser Aluminum, Incorporated	A
Anchor-it	389	Adhesives Technologies Corporation	A
Anticorrosive Highway Deicer	402	Cargill, Incorporated	W
Anti-Hydro	205	Anti-Hydro Waterproofing Company	R
Applegate Mulch	410	Applegate Insulation Manufacturing	A
Aquatain	166	Larutan Corporation	R
Armco Noise Barrier	284	Armco, Incorporated	R
Asbestos-Asphalt Deck Overlay	132	Johns-Manville Products Corporation	R
Asbestos-Asphalt Membrane	186	Johns-Manville Products Corporation	R
Asbestos Thin Overlay	38	Johns-Manville Products Corporation	R
Asphadur (Stab. Additive 5990)	300	Minnesota Mining & Manufacturing Co.	R
Asphaltic Mastic Rope	237	Superior Sealers Company	A
Auto-Gard	77	Neogard Corporation (Jones Blair Co.)	R
Barrier	156	National Chemical Corporation	R
Basic Lead Silico Chromate	49	Eagle Picher Company	R
Belzona 4521 Magna-Flex Fluid	518	Belzona, Inc.	A
Bidim (Trevira)	269	Hoechst Fibers Industries	A
Bituminous Pavement Rejuvenator	221	Koppers Company, Incorporated	R
Bitumuls Cationic Emulsified Asphalts	64	Chevron Asphalt Company	A
Bituthene (Heavy Duty)	226	W. R. Grace & Company	A
Black Beauty	33	H. B. Reed & Company, Incorporated	A
Blac-Klad	254	Inland Steel Company	A
Black Magic CPR	246	Pavon Corporation	R

<b>A</b> -Accepted	<b>R</b> -Rejected	<b>T</b> -Field test in progress or planned
<b>L</b> -Laboratory test in progress or planned	<b>P</b> -Action pending; more information needed	
<b>W</b> -Referred to potential user without recommendation or withdrawn by vendor		

**ALPHABETICAL INDEX OF PRODUCTS**  
**December 13, 2011**

<u>Product Name</u>	<u>Number</u>	<u>Manufacturer</u>	<u>Status</u>
Blacksmith Shunt Free Concrete Crossing	450	Blacksmith Railroad Supply	W
Boiler Slag	55	Combustion By-Products Company	A
Bondex Concrete Patch	66	The Reardon Company	R
Bond-X	524	Seaboard Asphalt Products	A
Bongossi	377	North American Hacon, Inc.	R
Bridge Kote No. 50	134	Templar, Incorporated	R
Busan 11-M1	373	Buckman Laboratories, Incorporated	R
Butylfelt	238	Storey Brothers & Company, Ltd.	R
C350 EC/TRM	469	North American Green	A
Cable Concrete	431	McCann Concrete Products	A
Cadilloc	366	Cadilloc External Pipe Joint, Inc.	A
Calcium Chloride Stabilization	5	Calcium Chloride Institute	R
Carbo Zinc 11	171	Carboline Company	A
Carboline 1304-145	192	Carboline Company	R
Carbomastic 15	380	Carboline Company	A
Carguard	61	Cargill, Incorporated	R
Carsonite Modular Glare Screen	360	Carson International Corporation	A
Catch-All, The	495	Mar Mac Manufacturing, Inc.	A
CDC Plastic Concrete	86	Concrete Development Corporation	W
Century Precast Concrete Railroad Crossing	417	Century Precast	R
Century Precast Frameless Concrete Railroad Crossing	466	Century Precast	A
Ceramar	345	W. R. Meadows, Incorporated	A
Ceramescape	216	Minnesota Mining & Manufacturing Co.	W
Chain Link Fence Glare Screen	306	United States Steel Corporation	A
Checker Block	275	Hastings Pavement Company, Inc.	R
ChemComp	87	Medusa Portland Cement Company	W
Chemgrass	153	Monsanto Company	R
Chemprime	154	Al-Con Chemical Company	R
Chem-Trete BSM	330	Dynamit Nobel	W
Cline Rolling Straightedge	68	Frank Cline Tractor Company	R
Cobra-X	358	Railroad Friction Products Corporation	R
Coherex	24	Witco Chemical Company	W
Cold Mix BAM	181	Walsh & Kelly, Incorporated	W
Colfix Jet Seal	130	Chevron Asphalt Company	R
Colma Membrane Compound	120	Sika Corporation	R
Colorcrete	12	W. E. Dunn Manufacturing Company	R
Concrete Arch Buried Bridge	432	Lane Enterprises, Incorporated	W
Concrete Planer	84	Christensen Diamond Products Co.	R
Concut Bump Cutter	41	Concut, Incorporated	W
Confilm	82	Master Builders, Incorporated	R
Conlock Concrete Blocks	415	Hydro-Turf and Associates, Inc.	A
Copper Smelter Slag	250	Universal Oil Products Company	R
CorBan RPM Liner Pipe	335	Armco, Incorporated	A

<b>A</b> -Accepted	<b>R</b> -Rejected	<b>T</b> -Field test in progress or planned
<b>L</b> -Laboratory test in progress or planned	<b>P</b> -Action pending; more information needed	
<b>W</b> -Referred to potential user without recommendation or withdrawn by vendor		

**ALPHABETICAL INDEX OF PRODUCTS**  
**December 13, 2011**

<u>Product Name</u>	<u>Number</u>	<u>Manufacturer</u>	<u>Status</u>
Corlix	6	Kaiser Aluminum, Incorporated	A
Corlix (Perforated)	10	Kaiser Aluminum, Incorporated	A
Corrugated Polyethylene Culvert	308	Advanced Drainage Systems, Inc.	W
Corrugated Steel Pipe	290	National Corrugated Steel Pipe Assoc.	R
Corrugated Steel Storm Sewer Pipe	267	Illinois Corrugated Steel Pipe Assoc.	R
Cor-Ten Guard Rail	8	United States Steel Corporation	R
Cretex	201	Cretex Companies, Incorporated	R
Cretex Pro-Ring	519	Cretex Specialty Products	T
Creto	200	Creto International	R
CRF Crack Filler	329	Witco Chemical Company	R
CRS-2S Asphalt Emulsion	332	Bitucote Products Company	R
Crown-Rite	196	Crown-Trygg Corporation	A
Curbstone	365	Curbstone, Incorporated	A
Custom Rock Form Liner System	436	Custom Rock International	A
Cybond	115	American Cyanamid Company	R
Cyclogen	297	Witco Chemical Company	A
Cycolac	188	Borg Warner Corporation	A
Dandy Bag	474	Dandy Products, Incorporated	T
Daraweld C	119	W. R. Grace and Company	R
Darex Corrosion Inhibitor	305	W. R. Grace and Company	A
Daugard	23	Daubert Chemical Company	A
Delcrete Elastomeric Concrete	407	D. S. Brown Company	A
Delugrip	293	Dunlop, Limited	R
Dimetcote E-Z	207	Ameron Corrosion Control Division	R
Diamond Wall System	435	Northfield Block Company	A
Dow Corning 777	29	Dow Corning Corporation	R
Dow Corning 888	445	Dow Corning Corporation	A
Dow Corning 890-SL	446	Dow Corning Corporation	R
Dow Corning 902 RCS	434	Dow Corning Corporation	A
Dow Mulch Binder	268	Dow Chemical Company	A
Dow Propylene Glycol	222	Dow Chemical Company	A
Dragnet Vehicle Arresting Barrier	424	Entwistle Manufacturing Company	A
Drain Guard	230	Advanced Drainage of Illinois	A
Dreco PVC Pipe	266	Drainage Engineering Corporation	A
Driscopipe 7600	279	Phillips Products Company, Inc.	A
Dura-Check	485	Panel Products, Incorporated	R
Duracal	202	United States Gypsum Company	A
Duraform	187	Kaykor Division Continental Oil Co.	R
Durisol	441	The Reinforced Earth Company	A
Duropipe Fiber Vaults	97	Sonoco Products Company	R
Duropipe Sectional Slope Drain	72	Sonoco Products Company	R
DuroTrim	496	Welch Products, Incorporated	A
Dustmaster	9	Michigan Chemical Corporation	A
Dutrex 757	314	Shell Oil Company	W
Dylex Latex 1186	285	Tex-Crete, Incorporated	A

<b>A</b> -Accepted	<b>R</b> -Rejected	<b>T</b> -Field test in progress or planned
<b>L</b> -Laboratory test in progress or planned	<b>P</b> -Action pending; more information needed	
<b>W</b> -Referred to potential user without recommendation or withdrawn by vendor		

**ALPHABETICAL INDEX OF PRODUCTS**  
**December 13, 2011**

<u>Product Name</u>	<u>Number</u>	<u>Manufacturer</u>	<u>Status</u>
EAS Silent Screen Panel	520	Empire Acoustical Systems	T
EcoBlanket	504	Rexius Forest By-Products, Inc.	A
Eeey Grow	54	S & D Products, Incorporated	R
Elastizell Concrete	312	Elastizell Corporation of America	A
Empigard	263	Empire Plating Company	R
Enkadrain	367	American Enka Company	R
Enkamat	271	American Enka Company	A
EnviroBerm	490	Cascade Distribution, Limited	A
Enviro Frame	484	Enviromax Rubber, Incorporated	W
Enviro-Shield	509	United States Gypsum Company	A
Epflex Railseal Interface	388	Epton Industries, Incorporated	A
Epi-Top 100	160	Celanese Resins	R <sup>1</sup>
Epoflex	301	Southwest Research Institute	R
EpoXeal 300	194	EpoXeal, Incorporated	R
Epoxy Modified Concrete	326	Celanese Resins	W
Epoxy Traffic Paint	65	Preform Parking Engineers, Inc.	R
Ero-Mat	374	Armco, Incorporated	A
Erosion Control Netting	336	Conwed Corporation	A
Ethafoam	142	Dow Chemical Company	A
Evercrete Noise Barrier	364	Evercrete, Limited	W
E. W. 50 Loop Detector	27	Eagle Signal Company	W
Expand X	45	United States Gypsum Company	R
Express Repair	139	Springbok Corporation	W
Extrudamat	429	Fiberized Products, Incorporated	A
Eze-Erect Sign Post	283	Franklin Steel Company	A
Fab-Ra-Cast	228	Szarka Enterprises, Incorporated	A
Fabriform Erosion Control Mats	224	Construction Techniques, Incorporated	A
Fabriform Pile Jackets	225	Construction Techniques, Incorporated	A
Farbertite	107	Briggs Bituminous Composition Co.	R
Far-Go Swift-Set	106	Dry Mix Concrete Company	R
Far-Go Vinyl Patching Compound	43	Dry Mix Concrete Company	R
FAST Corner Assembly (Fence)	385	FAST Company	A
Fast-Set Pre-Krete	151	Pocono Fabricators, Incorporated	W
Fence-Crete	452	Faddis Concrete Products	R
FiberDowel	472	RJD Industries, Incorporated	T
Fiber Pave	325	Hercules, Incorporated	A
FIMCO	18	General Railway Signal Company	W
Five Star Highway Patch	315	United States Grout Corporation	A
Five Star Structural Concrete V/O	414	Five Star Products, Incorporated	A
Flexcon 2000 Joint System	442	R. J. Watson, Incorporated	R
Flex-Lok	252	Midwest Manufacturing Corporation	R
Flexolith	398	Dural International Corporation	A
Flextran	185	Johns-Manville Products Corporation	R
Flo-Mix	149	U. S. Rubber Reclaiming Co., Inc.	W

<sup>1</sup> Rejected for wearing surface. Approved for patching.

<b>A</b> -Accepted	<b>R</b> -Rejected	<b>T</b> -Field test in progress or planned
<b>L</b> -Laboratory test in progress or planned	<b>P</b> -Action pending; more information needed	
<b>W</b> -Referred to potential user without recommendation or withdrawn by vendor		

**ALPHABETICAL INDEX OF PRODUCTS**  
**December 13, 2011**

<u>Product Name</u>	<u>Number</u>	<u>Manufacturer</u>	<u>Status</u>
Fly Ash	96	Chicago Fly Ash Company	R
Fondu	286	Lone Star LaFarge Company	R
Forward	253	Proven Products, Incorporated	A
Four Seasons Bituminous Premix	274	Emulsified Asphalts, Incorporated	A
Franklin Polyester Coating	311	Franklin Steel Company	A
FRP Manholes	351	Armco, Incorporated	A
FRP Road Signs	339	Owens-Corning Fiberglas Corporation	A
Ful-Flo	2	Granco Steel Company	R
Gacoflex N-3S	240	Gates Engineering Company, Inc.	R
Gacoflex UWM-28	241	Gates Engineering Company, Inc.	R
Galvalume	307	Bethlehem Steel Corporation	A
Galvashield	493	Vector Corrosion Technologies	T
Garylite	197	United States Steel Corporation	W
Gemcrete	347	Gemite Unique Products, Incorporated	A
Gen-Trac	260	General Tire & Rubber Company	A
Gen-Trac II	349	General Tire & Rubber Company	W
Geoblock Landscaping System	387	Presto Products, Incorporated	R
GeoRidge	503	Nilex Corporation	A
Gering Sewer/Drain Pipe	78	Gering Plastics Company	R
Gilsabind	114	Gilsabind Corporation	R
Glare-Gaard	465	Automotive Safety Transport, Inc.	A
Glare Screen	30	ALCOA	R
Glare Screen	162	Wheeling Corrugating Company	R
Goodyear Full-Depth Rubber Crossing	443	Goodyear Tire and Rubber Company	A
Goodyear Hi-Miler	422	Goodyear Tire and Rubber Company	A
Graffiti Solution System	477	American Polymer Corporation	R
Grappler	473	Virtual Industries, Incorporated	A
Green C-Mix	525	Seaboard Asphalt Products	A
Green Patch	523	Cofire Industries	A
Gripstop	140	Gripstop Corporation	W
Guardkote 140	116	Shell Oil Company	R
Guardkote 250	117	Shell Oil Company	A
Halox	356	Hammond Lead Products, Inc.	R
Haydite	198	Western Brick Company	R
Heavy Duty Plastic Apron Endwall	488	Wisconsin Plastic Drain Tile Corp.	R
HFE-90S	344	Bituminous Materials Company, Inc.	A
HFM-P Emulsion Prime	333	Louis Marsch, Incorporated	A
Hi-Dri Cell Guardrail Blockout	234	Energy Absorption Systems, Inc.	R
Highway Striping Epoxy Compounds	289	H. B. Fuller Company	A
Hold-Gro	264	Gulf States Paper Corporation	A
Hollow Shell Median Barriers	331	Lone Star Polymer Concrete Company	W
Homex	69	Homasote Company	A
Homex 300	195	Homasote Company	A
Hot Tape	425	Pave-Mark Corporation	T

<b>A</b> -Accepted	<b>R</b> -Rejected	<b>T</b> -Field test in progress or planned
<b>L</b> -Laboratory test in progress or planned	<b>P</b> -Action pending; more information needed	
<b>W</b> -Referred to potential user without recommendation or withdrawn by vendor		

**ALPHABETICAL INDEX OF PRODUCTS**  
December 13, 2011

<u>Product Name</u>	<u>Number</u>	<u>Manufacturer</u>	<u>Status</u>
Hy-Span	408	Hyway Concrete Pipe Company	A
Hydro-Ban RVN Membrane	235	Hydro-Ban Corporation	R
Hydro Mulch Overspray	337	Conwed Corporation	A
Hydro-Plug	105	Camp Company, Incorporated	W
Hydrotube	282	Wheeling Service and Supply, Inc.	R
Hydron 100	204	National Patent Development Corp.	R
Hyload	239	Ruberoid Building Products, Ltd.	R
IBC Mk-7 Barrier	361	International Barrier Corporation	R
I Rock	505	I Rock of Michigan	A
Industrial Protective Coating	50	Jessop Steel Company	R
Infiltrator	444	Infiltrator Systems, Incorporated	T
<b>Infrasteel Pipe*</b>	<b>526</b>	<b>Precision Pipe &amp; Products Inc</b>	<b>A</b>
Inliner USA	447	Inliner USA, Incorporated	A
Inorganic Zinc Primer No. 1302	218	Jordan Paint Manufacturing Co., Inc.	W
Insituform	348	Insituform Technologies, Incorporated	A
Instant Road Repair	309	Emcol of Illinois, Incorporated	A
Instant Road Repair II	456	Safety Lights Company	A
Isolv	208	Kaiser Agricultural Chemicals	W
Jeene	413	Jeene Technology Corporation	A
KSA Full-Width Concrete Grade Crossing	449	Koppers-Sherman-Abetong	A
Klean-Kote	40	Orangeburg Manufacturing Company	R
Koppers Concrete Sealer	81	Koppers Company, Incorporated	R
Koppers Sound Barrier	323	Koppers Company, Incorporated	R
Koppers Wear Guard	359	Koppers Company, Incorporated	R
Koppers Wear Guard (Rubber)	409	Koppers Company, Incorporated	R
K-Zinc 531	353	Inorganic Coatings, Incorporated	W
L-300 Snow Fence	354	DuPont Canada, Incorporated	A
Ladder Manholes and Bases	48	C. P. Engineering	R
Lakelite	179	United States Steel Corporation	W
Laykold Heavy Duty Resurfacer	189	Chevron Asphalt Company	A
Lignin LS-50	423	Prince Manufacturing Company	A
Lignin Sulphonate Road Binder	135	W. F. Macklin and Associates	R
Linseed Oil Anti-Spalling Emulsion	144	Sherwin-Williams Company	R
Linseed Oil Curing Compound	177	National Flaxseed Processors Assoc.	R
Lion Colay Asphalt	95	Monsanto Company	R
Lion Nokorode Al-Kote	146	Monsanto Company	A
Lion Nokorode Seal Kote	147	Monsanto Company	A
LO-138	21	General Railway Signal Company	W
Load Transfer Device	62	Acme Highway Products Corporation	R
Lock-Post	386	Pegfence International, Incorporated	W
Low Profile Steel Box Culvert	340	Lane Metal Products Company, Inc.	A
Lustra-Span	13	Monsanto Company	R
Manhole Protector Ring	500	Work Area Protection Corporation	A

\* **New item**

<b>A</b> -Accepted	<b>R</b> -Rejected	<b>T</b> -Field test in progress or planned
<b>L</b> -Laboratory test in progress or planned	<b>P</b> -Action pending; more information needed	
<b>W</b> -Referred to potential user without recommendation or withdrawn by vendor		

**ALPHABETICAL INDEX OF PRODUCTS**  
**December 13, 2011**

<u>Product Name</u>	<u>Number</u>	<u>Manufacturer</u>	<u>Status</u>
Manhole Riser	476	American Highway Products, Ltd.	A
Mari-Crete	203	Atlas Minerals & Chemical Division, ESB, Incorporated	R
Mas-Stik	236	Concrete Products Supply Company	A
Materialite	175	Material Service Corporation	A
MC Granular Calcium Chloride	136	Michigan Chemical Corporation	R
MDM Drainage Mat (Hydraway)	343	Monsanto Company	R
Melnar-8	265	W. R. Meadows, Incorporated	W
Mesa System	475	Tensar Earth Technologies, Inc.	W
Microfil 8	369	Cabot Corporation	R
Mirafi 140 (PRF 140)	223	Celanese Fibers Marketing Company	A
Mirafi 500X	298	Celanese Fibers Marketing Company	A
Miramat	363	Mirafi, Incorporated	R
Modular Track Span	317	Fel-Pro, Incorporated	W
Mulseal	110	Emulsified Asphalts, Incorporated	A
Multi-Ply System No. 1	101	Air Pressure Dampproofing Service, Inc. of Chicago	R
MWS Emulsified Asphalt Hot Mix	28	Asphalt Emulsions, Incorporated	A
Nalzin 2	357	NL Chemicals	R
Nelson Railchair	400	Nelson Iron Works	A
Neutra-Rust	368	American Sales Company, Inc.	R
Nexon	244	United States Steel Corporation	A
Nexus	138	United States Steel Corporation	R
No-Bel Joint	229	Clow Corporation	A
Noishield	318	Industrial Acoustics Company	R
Nophalt	313	Chem-Krete Corporation	R
Nordel Membrane (Reinforced)	215	E. I. duPont deNemours & Co., Inc.	R
Novadeck 750	170	Novagard Corporation	R
NuPipe	440	Insituform Technologies, Incorporated	T
N. U. Boiled Linseed Oil Emulsion	98	Agricultural Research Service USDA	R
Omni Shimless Grade Crossing	338	Precured RDF Tirefill, Incorporated	A
Omni Standard Concrete Crossing	451	Omni Products, Incorporated	A
Oneida Structural Foam	243	Oneida Manufacturing	R
Ooze Tube	508	PQ Partners, LLC	W
Osiose K-33	124	Osiose Wood Preserving Company of America, Incorporated	A
Over-Flex	303	Sahuaro Petroleum & Asphalt Co.	A
P-7 Paint	206	Hammond Lead Products, Inc.	R
P-221 Fibers	295	DuPont & Company, Incorporated	R
P300 Erosion Control Blanket	391	North American Green	A
P.A.C.E. Crossing	420	Pittenger and Cook Engineering, Inc.	R
Paczyme	152	Larutan Corporation	R
Para-Plastic (Super) No. 2341-Z	94	Dewey & Almy Division, W. R. Grace and Company	A
Parkco	278	Park Rubber Company	R
Parkco Lag Down Crossing	381	Park Rubber Company	A

<b>A</b> -Accepted	<b>R</b> -Rejected	<b>T</b> -Field test in progress or planned
<b>L</b> -Laboratory test in progress or planned	<b>P</b> -Action pending; more information needed	
<b>W</b> -Referred to potential user without recommendation or withdrawn by vendor		

**ALPHABETICAL INDEX OF PRODUCTS**  
**December 13, 2011**

<u>Product Name</u>	<u>Number</u>	<u>Manufacturer</u>	<u>Status</u>
Pavajuster	75	Neenah Foundry Company	A
Pave, Pave-Bond	4	Carlisle Chemical Works	A
Pavebrite	85	Neville Chemical Company	R
Pavetech Bridge Joint System	418	Pavetech BJS, Incorporated	R
PE-50	67	Steelcote Manufacturing Company	R
Pecora 300 Silicone	494	Pecora Corporation	W
Pecora 301 Silicone	498	Pecora Corporation	A
Pec-Mat	482	Greenstreak, Incorporated	A
Penepime	121	Empire Petroleum Company	R
Pennzsuppress D	458	Pennzoil Products Company	W
Perforated Concrete Tile	281	Economy Tile Company	W
Perma-Bind	211	Larutan Corporation	R
Permabit 60	249	Briggs Amasco, Limited	R
Permafused	158	Anchor Post Products, Incorporated	A
Perma Loc	341	Johns-Manville Products Corporation	A
Perma-Patch	514	Perma-Patch	A
Perma-Soil	375	Ditch Witch, Incorporated	R
PetroMat	191	Phillips Petroleum Company	A
Petroset AT	190	Phillips Petroleum Company	R
Pigmented Pitt-LOC	143	PPG Industries	R
Pioneer 507	169	Daubert Chemical Company	A
Pittguard DTR	378	PPG Industries	W
Placewel R	118	Union Carbide Corporation	W
Plasti-Flo	258	Penn-Barks Corporation	R
Plastic-Bore	376	Lane Metal Products Company, Inc.	A
Plastic-Coated Dowel Bars	137	Republic Steel Corporation	R
Plastiment	52	Sika Corporation	W
Plastix SD	272	Prismo Universal Corporation	A
Pliopave L-30	173	Goodyear Tire & Rubber Company	R
Pliopave L-170	174	Goodyear Tire & Rubber Company	A
Poly-Filter X	255	Carthage Mills, Incorporated	A
Poly-Tite	183	Sandell Manufacturing Company, Inc.	R
Poly Vinyl Steel	163	Wheeling Services and Supply, Inc.	R
PolyDrain	467	ABT, Incorporated	A
Polyguard No. 857-G Membrane	214	Polyguard Pipeline Products, Inc.	R
Polysar Latex	324	Polysar, Incorporated	A
POPIT	507	POPIT, INC	A
Poroswall	7	Walker Poroswall Pipe Company	R
Poroswall Pipe	394	Walker Poroswall Pipe Company	R
Portland Cement Paint	51	Glidden Company	R
Poz-Loc Post and Socket Assembly	384	Southwestern Pipe, Incorporated	A
Pozzolith 100-HE	210	Master Builders, Incorporated	A
Pozzolith 100-XR	127	Master Builders, Incorporated	W
PPI Rubber Interface	481	Performance Polymers, Incorporated	A
Preformed Paving Sheets	100	Johns-Manville Products Corporation	R

<b>A</b> -Accepted	<b>R</b> -Rejected	<b>T</b> -Field test in progress or planned
<b>L</b> -Laboratory test in progress or planned	<b>P</b> -Action pending; more information needed	
<b>W</b> -Referred to potential user without recommendation or withdrawn by vendor		

**ALPHABETICAL INDEX OF PRODUCTS**  
**December 13, 2011**

<u>Product Name</u>	<u>Number</u>	<u>Manufacturer</u>	<u>Status</u>
Premier Advanced Panel	464	Premier Concrete Railroad Crossing	A
Presstite No. 357.5	73	Presstite Division, Interchemical Corp.	A
Pressure Relief Joint	133	W. R. Meadows, Incorporated	R
PRF 140 (Mirafi 140)	223	Mirafi, Incorporated	A
Prismo seal A2	328	Prismo Universal Corporation	R
Proline	513	Logan County Asphalt Comp	A
Pro-Seal 968	79	Coast Pro-Seal and Manufacturing Co.	R
Protecto Wrap M-400 Membrane	213	Protecto Wrap Company	R
PS 100 Mulch Blanket	419	Proseed (U.S.A.), Incorporated	R
PVC Underdrain	261	Hurlbut Plastic Pipe Corporation	A
Pyrament 505	397	Pyrament/Lone Star Industries, Inc.	W
Pyramid	454	The Reinforced Earth Company	A
Quick-Set	104	Camp Company, Incorporated	R
Quick Stab	499	Contech Construction Products	A
Quick-Wedge	460	Erico, Incorporated	R
Quik Rok	280	Preco Industries, Incorporated	W
R-1000 Repaver	44	Cutler Engineering	A
Railguard	26	Eagle Signal Company	R
Railroad Prefabricated Crossing Shunt Panel	437	Fite Corporation	W
Ralumac Micro-Surfacing	404	Midwest Ralumac	A
Ramflex	59	U. S. Rubber Reclaiming Co., Inc.	R
REACT 350	459	Roadway Safety Service, Incorporated	A
Reclamite	22	Witco Chemical Company	R
Red Hawk Full Depth Rubber Crossing	406	Red Hawk Rubber Company	A
Reflex Rubber Expansion Joint	492	J. D. Russell Company	A
Resin Coated Glass Fabric	182	Burlington Glass Fabrics Company	A
Resincore	103	Rock Island Corporation	R
Rheocrete 222+	471	Master Builders, Incorporated	A
Rhoplex E-300	128	Rohm and Haas Company	R
Rhoplex MC-4530	60	Rohm and Haas Company	W
Ritza Glaretamer	291	Julius Koch USA, Incorporated	R
Road Logger	25	Lane-Wells Company	R
Roadglas	321	Owens-Corning Fiberglas Corporation	A
Roadpatch	231	Standard Dry Wall Products, Inc.	W
Roadsaver Silicone 34902	461	Crafco, Incorporated	R
Roadsaver Silicone 34903	462	Crafco, Incorporated	R
Rockbond	355	Elborg Technology Company	A
Rosphalt 50	352	Royston Laboratories, Incorporated	R
Royston Bridge Membrane No. 10	212	Royston Laboratories, Incorporated	R
Rub-R-Road R-504	91	Firestone Tire and Rubber Company	A
Rub-R-Road R-526	129	Firestone Tire and Rubber Company	R
Rubber Calk 3105	112	Products Research and Chemical Corporation	R
Rubber Railroad Crossing	227	Goodyear Tire and Rubber Company	A

<b>A</b> -Accepted	<b>R</b> -Rejected	<b>T</b> -Field test in progress or planned
<b>L</b> -Laboratory test in progress or planned	<b>P</b> -Action pending; more information needed	
<b>W</b> -Referred to potential user without recommendation or withdrawn by vendor		

**ALPHABETICAL INDEX OF PRODUCTS**  
**December 13, 2011**

<u>Product Name</u>	<u>Number</u>	<u>Manufacturer</u>	<u>Status</u>
SA-1	90	Central Chemical Company	R
SACI Corrosion Inhibitor	412	Witco Chemical Company	A
Saf & Dri	248	Structural Rubber Products Company	A
Saf & Dri Model-C	320	Structural Rubber Products Company	A
Safebrite Reflector	70	Anderson Safeway Guard Rail Corp.	A
Sakrete	515	Sakrete	A
SC150 Erosion Control Blanket	470	North American Green	A
Scotchkote Resin No. 117	220	Minnesota Mining & Manufacturing Co.	R
Scotchkote Resin No. 202	251	Minnesota Mining & Manufacturing Co.	A
Sealer-Healer 1540 Monomer	401	Rohm and Haas Company	R
Sealtight WP-45	92	W. R. Meadows, Incorporated	A
Semperit Bodan Grade Crossing	288	Meadowbrook Enterprises, Inc.	R
Sentre Guardrail Terminal	392	Energy Absorption Systems, Inc.	W
Set 45	299	Set Products, Incorporated	A
Set Instant Concrete Repair	232	Set Products, Incorporated	A
Set Non-Shrink Grout	287	Set Products, Incorporated	A
Sika Set	109	Sika Corporation	R
Silent Protector Plus	517	Harder Luckey Hargrave, Inc	T
Silicoflex	479	R. J. Watson, Incorporated	T
Silicone Alkyd	256	Dow Corning Corporation	A
Silt-Saver Frame & Filter Assembly	506	Silt-Saver, Incorporated	A
Siltsack	453	Atlantic Construction Fabrics, Inc.	W
Slurry Seal	122	International Slurry Seal Association	R
Slurry Seal	167	International Slurry Seal Association	A
SM-100 (Dow Modifier A)	155	Dow Chemical Company	A
Smooth Cor	382	Caldwell Culvert Company	A
Sno-Strap	396	Signode Corporation	R
Sodium Chloride Stabilization	123	Morton Salt Company	R
Soil Retention Blanket	53	American Excelsior Company	A
Solar-Laglugel	319	NHI, Limited	R
Sonocure	42	DeSoto Chemical Coatings	R
Sound Off	428	Crane/Cor Tec Company	W
Soundcore	455	Advanced Storage Technology	A
Southern Main Line Crossing	372	Structural Rubber Products Company	A
SP-3	99	Slip-Pruf Service Corporation	R
Spectrem (DS Brown) 800	501	Tremco, Incorporated	R
Speed Crete	57	Concrete Maintenance Products, Inc.	R
Speed Crete	126	Tamms Industries, Incorporated	A
Spiral Rib Pipe	371	Pacific Spiral Rib Pipe	A
Spirolite	346	Spiral Engineered Systems	A
Spraygrip	180	Prismo Universal Corporation	W
SprayMatt	510	Central Fiber Corporation	A
SRP Water Borne Vinyl	426	Glidden Company	W
SS-40 Fence Pipe	259	Allied Tube and Conduit Corporation	A
Sta-Tuft	233	Environmental Products Corporation	R
Stainless Hel-Cor	58	Armco, Incorporated	R

<b>A</b> -Accepted	<b>R</b> -Rejected	<b>T</b> -Field test in progress or planned
<b>L</b> -Laboratory test in progress or planned	<b>P</b> -Action pending; more information needed	
<b>W</b> -Referred to potential user without recommendation or withdrawn by vendor		

**ALPHABETICAL INDEX OF PRODUCTS**  
**December 13, 2011**

<u>Product Name</u>	<u>Number</u>	<u>Manufacturer</u>	<u>Status</u>
Stamark	276	Minnesota Mining & Manufacturing Co.	A
Stamark Detour Grade	322	Minnesota Mining & Manufacturing Co.	A
Stanray Inlet	47	Stanray Corporation	A
Startrack II	430	D & M Concrete of Carolina	A
Steel Furnace Slag	89	Illinois Slag and Ballast Company	A
Steel Slag	310	Heckett Engineering Company	A
Steelflex SSCM Strip Seal	421	D. S. Brown Company	A
Steelplank	245	Steelplank Corporation	R
Strail Hi-Rail	350	Gummiwerk-Kraiburg	A
Styrofoam	3	Dow Chemical Company	A
Superflexon Valve Boxes	111	Plymouth Industrial Products	R
SuperGro 758	416	Phillips Fibers Corporation	W
Superseal 4000-HT	242	Superior Products Company, Inc.	A
SVDM	20	General Railway Signal Company	W
SVDT-2	19	General Railway Signal Company	W
Sylvatal 40	178	Glidden-Durkee	A
Sylvax UPM	262	Sylvax Chemical Corporation	A
Synopal	56	Synopal, Limited	R
T-Wall Retaining Wall	439	Neel Company	A
Tapisable	145	L&B/AJB, Incorporated	A
TCA Bridge-Cote	168	Textured Coatings of America, Inc.	A
TechStar W-Seal	457	TechStar, Incorporated	R
Teflon Bridge Bearings	15	DuPont and Company, Incorporated	A
Temp Ramp	497	E Z Road, Incorporated	A
Tensar Erosion Mat - NS3000	411	Tensar Corporation	A
Tensar Snowfence	370	Tensar Corporation	A
Terbec C-7	113	Dow Chemical Company	R
Terra-Green	32	Oil Dry Corporation of America	R
Terra Tack II	257	Grass Growers, Incorporated	A
Tex-Tube	141	Tex-Tube Division - Detroit Steel Co.	W
Thiokol 411-M	199	Thiokol Chemical Corporation	R
Thompson's Water Seal	273	E. A. Thompson Company, Inc.	R
Tie Collar Assembly	399	Sibley Machine & Foundry Corporation	R
TIMCO	17	General Railway Signal Company	W
TM-700 Tree Mover	83	Vermeer Manufacturing Company	W
Topcoat Polyester Powder	379	Armstrong Products Company	W
Track-Span	247	Fel-Pro, Incorporated	R
Traffic Signal Cable	35	General Electric Company	A
Traffix	150	Pace Products, Incorporated	W
Transite Storm Sewer	125	Johns-Manville Products Corporation	R
Transite Underdrain Pipe	71	Johns-Manville Products Corporation	R
Trevira	269	Hoechst Fibers Industries	A
Tri-Dar 33	148	Darling and Company	R
Tri-Kote 18	80	T. K. Products, Incorporated	R
Tri-Kote 26	16	T. K. Products, Incorporated	A
Tri-Lock	393	American Excelsior Company	A

<b>A</b> -Accepted	<b>R</b> -Rejected	<b>T</b> -Field test in progress or planned
<b>L</b> -Laboratory test in progress or planned	<b>P</b> -Action pending; more information needed	
<b>W</b> -Referred to potential user without recommendation or withdrawn by vendor		

**ALPHABETICAL INDEX OF PRODUCTS**  
**December 13, 2011**

<b><u>Product Name</u></b>	<b><u>Number</u></b>	<b><u>Manufacturer</u></b>	<b><u>Status</u></b>
Triangular Silt Dike System	483	Triangular Silt Dike Company	A
Trinidad Asphalt	217	Great Lakes Asphalt, Incorporated	W
TruFlow	463	Owens-Corning Corporation	R
Tropilon Black	159	Tropical Paint Company	W
Truss Pipe	184	Armco, Incorporated	R
Tuf-Barrier	517	Harder Luckey Hargrave, Inc	T
Tufchem	176	Pennwalt Corporation	R
Tufchem Membrane	193	Pennwalt Corporation	R
UCAR	209	Union Carbide Corporation	A
UGT Manhole Grade Ring	511	Underground Technologies LLC	T
UL-29 Liquid Ice Melter	161	United Laboratories, Incorporated	W
Ultra-Rib	405	Extrusion Technologies, Incorporated	A
UltraCure	522	McTech Group	R
Ultraliner	502	Ultraliner, Incorporated	A
Unelko Water Repellent	164	Unelko Corporation	R
Uni-Pak	270	Mobil Chemical Company	R
Union Pacific Precast Concrete Road Crossing	448	Union Pacific Railroad Company	R
Uniroyal Flexible Membrane 6125	172	Uniroyal, Incorporated	R
Uniroyal Railroad Crossing	277	Uniroyal, Incorporated	W
Urecal	157	Urecal Corporation	R
Urethane Expansion Joint	14	Barrett Division-Allied Chemical Corp.	R
Urox	108	Barrett Division-Allied Chemical Corp.	A
U.S. Cold Patch	516	Sakrete	R
V-Loc Socket System	342	Foresight Industries, Incorporated	W
Vehicle Attenuator Terminal	395	Syro Steel Company	W
Verdyol XTRA Standard	468	Verdyol Alabama, Incorporated	A
Verglimit	302	P. K. Distributing Company	R
Versa-Lok Retaining Wall System	438	Bend Industries/Ampress	A
Verti-Pro	491	Alpine Stormwater Management Co.	W
Vitrachem	1	Logan Clay Products	A
Wabo Two Part Silicone Sealant	489	Watson Bowman Acme Corporation	A
Weathercote T	219	Medallion Corporation	A
WeedEnder	512	U-Tech	T
Welded Beam Guardrail Post	327	Welded Beam Corporation	A
Welded Culvert Pipe	93	Young Metal Products, Incorporated	A
Welded Wire Monofilament Inlet Protector	521	Cretex Specialty Products	A
Weyerhaeuser Glulam	316	Weyerhaeuser Company	W
Witcogard	23	Witco Chemical Company	A
Xorex Steel Fibers	427	Novocon International, Incorporated	R
XR-6-5046	131	Dow Corning Company	R
Z Clip	478	International Fence Systems, LLC	W
Zemdrain MD2	487	DuPont & Company, Incorporated	A

<b>A</b> -Accepted	<b>R</b> -Rejected	<b>T</b> -Field test in progress or planned
<b>L</b> -Laboratory test in progress or planned	<b>P</b> -Action pending; more information needed	
<b>W</b> -Referred to potential user without recommendation or withdrawn by vendor		

**INDEX OF MANUFACTURERS**  
**December 13, 2011**

<u>Manufacturer</u>	<u>Product Name</u>	<u>Number</u>
ABT, Incorporated	PolyDrain	467
Acme Highway Products Corporation	Load Transfer Device	62
Adhesives Technologies Corporation	Anchor-it	389
Advanced Drainage of Illinois	Drain Guard	230
Advanced Drainage Systems, Inc.	ADS End Sections	390
Advanced Drainage Systems, Inc.	Corrugated Polyethylene Culvert	308
Agricultural Research Service, USDA	N. U. Boiled Linseed Oil Emulsion	98
Air Pressure Dampproofing Service, Inc. of Chicago	Multi-Ply System No. 1	101
Al-Con Chemical Company	Chemprime	154
Allied Chemical Corporation-Barrett Div.	Urethane Expansion Joint	14
Allied Chemical Corporation-Barrett Div.	Urox	108
Allied Tube and Conduit Corporation	SS-40 Fence Pipe	259
Alpine Stormwater Management Co.	Verti-Pro	491
ALCOA	Aluminum Guard Rail	31
ALCOA	Glare Screen	30
American Cyanamid Company	Cybond	115
American Decal and Manufacturing Co.	Adcolite	74
American Enka Company	Enkadrain	367
American Enka Company	Enkamat	271
American Excelsior Company	Soil Retention Blanket	53
American Excelsior Company	Tri-Lock	393
American Highway Products, Limited	Manhole Riser	476
American Sales Company, Incorporated	Neutra-Rust	368
American Vamag Company, Incorporated	Albitol	292
American Wick Drain Company	Akwadrain	383
Ameron Corrosion Control Division	Dimetcote E-Z	207
Anchor Post Products, Incorporated	Permafused	158
Anderson Safeway Guard Rail Corp.	Safebrite Reflector	70
Anti-Hydro Waterproofing Company	Anti-Hydro	205
Applegate Insulation Manufacturing	Applegate Mulch	410
Armco, Incorporated	A-2000	362
Armco, Incorporated	Aluminized Steel Type 2 CMP	294
Armco, Incorporated	Aluminized Steel Type 2 Fence Tubing	334
Armco, Incorporated	Armco Noise Barrier	284
Armco, Incorporated	CorBan RPM Liner Pipe	335
Armco, Incorporated	Ero-Mat	374
Armco, Incorporated	FRP Manholes	351
Armco, Incorporated	Stainless Hel-Cor	58
Armco, Incorporated	Truss Pipe	184
Armstrong Products Company	Topcoat Polyester Powder	379
Asphalt Emulsions, Incorporated	MWS Emulsified Asphalt Hot Mix	28
Atlas Minerals & Chemical Division, ESB, Incorporated	Mari-Crete	203

**INDEX OF MANUFACTURERS**  
**December 13, 2011**

<u>Manufacturer</u>	<u>Product Name</u>	<u>Number</u>
Belzona, Inc.	Belzona 4521 Magna-Flex Fluid*	518
Bend Industries/Ampress	Versa-Lok Retaining Wall System	438
Bethlehem Steel Corporation	Galvalume	307
Bitucote Products Company	CRS-2s Asphalt Emulsion	332
Bituminous Materials Company, Inc.	HFE-90s	344
Borg Warner Corporation	Cycolac	188
Briggs Amasco, Limited	Permabit 60	249
Briggs Bituminous Composition Company	Farbertite	107
Dandy Products, Incorporated	Dandy Bag	474
D. S. Brown Company	Delcrete Elastomeric Concrete	407
D. S. Brown Company	Steelflex SSCM Strip Seal	421
D. S. Brown Company	Spectrum (DS Brown) 800	501
Buckman Laboratories, Incorporated	Busan 11-M1	373
Burlington Glass Fabrics Company	Resin Coated Glass Fabric	182
C. P. Engineering	Ladder Manholes and Bases	48
Cabot Corporation	Microfil 8	369
Cadilloc External Pipe Joint, Incorporated	Cadilloc	366
Calcium Chloride Institute	Calcium Chloride Stabilization	5
Caldwell Culvert Company	Smooth Cor	382
Camp Company, Incorporated	Hydro-Plug	105
Camp Company, Incorporated	Quick-Set	104
Carboline Company	Carbo Zinc 11	171
Carboline Company	Carboline 1304-145	192
Carboline Company	Carbomastic 15	380
Cargill, Incorporated	Anticorrosive Highway Deicer	402
Cargill, Incorporated	Carguard	61
Carlisle Chemical Works	Pave, Pave-Bond	4
Carson International Corporation	Carsonite Modular Glare Screen	360
Carthage Mills, Incorporated	Poly-Filter X	255
Cascade Distribution, Limited	EnviroBerm	490
Celanese Fibers Marketing Company	Mirafi 140 (PRF 140)	223
Celanese Fibers Marketing Company	Mirafi 500X	298
Celanese Resins	Epi-Top 100	160
Celanese Resins	Epoxy Modified Concrete	326
Central Chemical Company	SA-1	90
Central Fiber Corporation	SprayMatt	510
Century Precast	Century Precast Concrete	417
	Railroad Crossing	
Century Precast	Century Precast Frameless	466
	Concrete Railroad Crossing	
Chem-Krete Corporation	Nophalt	313
Chevron Asphalt Company	Bitumuls Cationic Emulsified	64
	Asphalts	
Chevron Asphalt Company	Colfix Jet Seal	130

---

\* New item

**INDEX OF MANUFACTURERS**  
**December 13, 2011**

<u>Manufacturer</u>	<u>Product Name</u>	<u>Number</u>
Chevron Asphalt Company	Laykold Heavy Duty Resurfacer	189
Chicago Fly Ash Company	Fly Ash	96
Christensen Diamond Products Company	Concrete Planer	84
Frank Cline Tractor Company	Cline Rolling Straightedge	68
Clow Corporation	No-Bel Joint	229
Coast Pro-Seal and Manufacturing Co.	Pro-Seal 968	79
Cofire Industries	Green Patch	523
Combustion By-Products Company	Boiler Slag	55
Concepts in Concrete, Incorporated	Air-O-Form	403
Concrete Development Corporation	CDC Plastic Concrete	86
Concrete Maintenance Products, Inc.	Speed Crete	57
Concrete Products Supply Company	Mas-Stik	236
Concut, Incorporated	Concut Bump Cutter	41
Construction Techniques, Incorporated	Fabriform Erosion Control Mats	224
Construction Techniques, Incorporated	Fabriform Pile Jackets	225
Contech Construction Products	Quick Stab	499
Continental Oil Company - Kaykor Div.	Duraform	187
Conwed Corporation	Erosion Control Netting	336
Conwed Corporation	Hydro Mulch Overspray	337
Crane/Cor Tec Company	Sound Off	428
Cretex Companies, Incorporated	Cretex	201
Cretex Specialty Products	Cretex Pro-Ring	519
Creto International	Creto	200
Crown-Trygg Corporation	Crown-Rite	196
Curbstone, Incorporated	Curbstone	365
Custom Rock International	Custom Rock Form Liner System	436
Cutler Engineering	R-1000 Repaver	44
D & M Concrete of Carolina	Startrack II	430
Darling and Company	Tri-Dar 33	148
Daubert Chemical Company	Daugard	23
Daubert Chemical Company	Pioneer 507	169
DeSoto Chemical Coatings	Sonocure	42
Ditch Witch, Incorporated	Perma-Soil	375
Dow Chemical Company	Dow Mulch Binder	268
Dow Chemical Company	Dow Propylene Glycol	222
Dow Chemical Company	Ethafoam	142
Dow Chemical Company	SM-100 (Dow Modifier A)	155
Dow Chemical Company	Styrofoam	3
Dow Chemical Company	Terbec C-7	113
Dow Corning Corporation	Dow Corning 777	29
Dow Corning Corporation	Dow Corning 888	445
Dow Corning Corporation	Dow Corning 890-SL	446
Dow Corning Corporation	Dow Corning 902 RCS	434
Dow Corning Corporation	Silicone Alkyd	256
Dow Corning Corporation	XR-6-5046	131
Drainage Engineering Corporation	Dreco PVC Pipe	266

**INDEX OF MANUFACTURERS**  
**December 13, 2011**

<u>Manufacturer</u>	<u>Product Name</u>	<u>Number</u>
Dry Mix Concrete Company	Far-Go Swift-Set	106
Dry Mix Concrete Company	Far-Go Vinyl Patching Compound	43
Dunlop, Limited	Delugrip	293
W. E. Dunn Manufacturing Company	Colorcrete	12
DuPont Canada, Incorporated	L-300 Snow Fence	354
DuPont & Company, Incorporated	P-221 Fibers	295
DuPont & Company, Incorporated	Teflon Bridge Bearings	15
DuPont & Company, Incorporated	Zemdrain MD2	487
E. I. duPont deNemours & Co., Inc.	Nordel Membrane (Reinforced)	215
Dural International Corporation	Flexolith	398
Dynamit Nobel	Chem-Trete BSM	330
E Z Road, Incorporated	Temp Ramp	497
Eagle Picher Company	Basic Lead Silico Chromate	49
Eagle Signal Company	E. W. 50 Loop Detector	27
Eagle Signal Company	Railguard	26
Economy Tile Company	Perforated Concrete Tile	281
Elastizell Corporation of America	Elastizell Concrete	312
Elborg Technology Company	Rockbond	355
Emcol of Illinois, Incorporated	Instant Road Repair	309
Empire Acoustical Systems	EAS Silent Screen Panel	520
Empire Petroleum Company	Penepime	121
Empire Plating Company	Empigard	263
Emulsified Asphalts, Incorporated	Four Seasons Bituminous Premix	274
Emulsified Asphalts, Incorporated	Mulseal	110
Energy Absorption Systems, Incorporated	Hi-Dri Cell Guardrail Blockout	234
Energy Absorption Systems, Incorporated	Sentre Guardrail Terminal	392
Entwistle Manufacturing Company	Dragnet Vehicle Arresting Barrier	424
Enviromax Rubber, Incorporated	Enviro Frame	484
Environmental Products Corporation	Sta-Tuft	233
EpoXeal, Incorporated	EpoXeal 300	194
Epton Industries, Incorporated	Epflex Railseal Interface	388
Evercrete, Limited	Evercrete Noise Barrier	364
Extrusion Technologies, Incorporated	Ultra-Rib	405
FAST Company	FAST Corner Assembly (Fence)	385
Fel-Pro, Incorporated	Modular Track Span	317
Fel-Pro, Incorporated	Track-Span	247
Fiberized Products, Incorporated	Extrudamat	429
Firestone Tire and Rubber Company	Rub-R-Road R-504	91
Firestone Tire and Rubber Company	Rub-R-Road R-526	129
Fite Corporation	Railroad Prefabricated Crossing Shunt Panel	437
Five Star Products, Incorporated	Five Star Structural Concrete V/O	414
Foresight Industries, Incorporated	V-Loc Socket System	342
Franklin Steel Company	Eze-Erect Sign Post	283
Franklin Steel Company	Franklin Polyester Coating	311
H. B. Fuller Company	Highway Striping Epoxy	289

**INDEX OF MANUFACTURERS**  
**December 13, 2011**

<u>Manufacturer</u>	<u>Product Name</u>	<u>Number</u>
	Compounds	
Gates Engineering Company, Inc.	Gacoflex N-3S	240
Gates Engineering Company, Inc.	Gacoflex UWM-28	241
Gemite Unique Products, Incorporated	Gemcrete	347
General Electric Company	Traffic Signal Cable	35
General Railway Signal Company	FIMCO	18
General Railway Signal Company	LO-138	21
General Railway Signal Company	SVDM	20
General Railway Signal Company	SVDT-2	19
General Railway Signal Company	TIMCO	17
General Tire and Rubber Company	Gen-Trac	260
General Tire and Rubber Company	Gen-Trac II	349
Gering Plastics Company	Gering Sewer/Drain Pipe	78
Gilsabind Corporation	Gilsabind	114
Glidden Company	Portland Cement Paint	51
Glidden Company	SRP Water Borne Vinyl	426
Glidden-Durkee	Sylvatal 40	178
Goodyear Tire and Rubber Company	Goodyear Full-Depth Rubber	443
	Crossing	
Goodyear Tire and Rubber Company	Goodyear Hi-Miler	422
Goodyear Tire and Rubber Company	Pliopave L-30	173
Goodyear Tire and Rubber Company	Pliopave L-170	174
Goodyear Tire and Rubber Company	Rubber Railroad Crossing	227
Gordon Bartels Company	Acroflex	63
W. R. Grace and Company	Bituthene (Heavy Duty)	226
W. R. Grace and Company	Daraweld C	119
W. R. Grace and Company	Darex Corrosion Inhibitor	305
W. R. Grace and Company-Dewey & Almy Division	Para-Plastic (Super) No. 2341-Z	94
Granco Steel Company	Ful-Flo	2
Grass Growers, Incorporated	Terra Tack II	257
Great Lakes Asphalt, Incorporated	Trinidad Asphalt	217
Gripstop Corporation	Gripstop	140
Gulf States Paper Corporation	Hold-Gro	264
Gummiwerk-Kraiburg	Strail Hi-Rail	350
Hammond Lead Products, Incorporated	Halox	356
Hammond Lead Products, Incorporated	P-7 Paint	206
Harder Luckey Hargrave, Inc	Silent Protector Plus	517
Harder Luckey Hargrave, Inc	Tuf-Barrier	517
Hastings Pavement Company, Inc	Checker Block	275
Heckett Engineering Company	Steel Slag	310
Hercules, Incorporated	Fiber Pave	325
Hoechst Fibers Industries	Bidim (Trevira)	269
Hoechst Fibers Industries	Trevira	269
Homasote Company	Homex	69
Homasote Company	Homex 300	195

**INDEX OF MANUFACTURERS**  
**December 13, 2011**

<u>Manufacturer</u>	<u>Product Name</u>	<u>Number</u>
Hurlbut Plastic Pipe Corporation	PVC Underdrain	261
Hydro-Ban Corporation	Hydro-Ban RVN Membrane	235
Hydro-Turf and Associates, Incorporated	Conlock Concrete Blocks	415
Hyway Concrete Pipe Company	Hy-Span	408
I Rock of Michigan	I Rock	505
Illinois Corrugated Steel Pipe Assoc., Inc.	Corrugated Steel Storm Sewer Pipe	267
Illinois Slag and Ballast Company	Steel Furnace Slag	89
Industrial Acoustics Company	Noishield	318
Infiltrator Systems, Incorporated	Infiltrator	444
Inland Steel Company	Blac-Klad	254
Inliner USA, Incorporated	Inliner USA	447
Inorganic Coatings, Incorporated	K-Zinc 531	353
Insituform Technologies, Incorporated	Insituform	348
Insituform Technologies, Incorporated	NuPipe	440
International Barrier Corporation	IBC Mk-7 Barrier	361
International Slurry Seal Association	Slurry Seal	122
International Slurry Seal Association	Slurry Seal	167
Jeene Technology Corporation	Jeene	413
Jessop Steel Company	Industrial Protective Coating	50
Johns-Manville Products Corporation	Asbestos-Asphalt Deck Overlay	132
Johns-Manville Products Corporation	Asbestos-Asphalt Membrane	186
Johns-Manville Products Corporation	Asbestos Thin Overlay	38
Johns-Manville Products Corporation	Flextran	185
Johns-Manville Products Corporation	Perma Loc	341
Johns-Manville Products Corporation	Preformed Paving Sheets	100
Johns-Manville Products Corporation	Transite Storm Sewer	125
Johns-Manville Products Corporation	Transite Underdrain Pipe	71
Jordan Paint Manufacturing Company, Inc.	Inorganic Zinc Primer No. 1302	218
Kaiser Agricultural Chemicals	Isolv	208
Kaiser Aluminum, Incorporated	Aluminum Box Culvert	304
Kaiser Aluminum, Incorporated	Aluminum Culvert (Wide Sheet)	39
Kaiser Aluminum, Incorporated	Aluminum Pipe Arch	11
Kaiser Aluminum, Incorporated	Aluminum Sectional Plate	46
Kaiser Aluminum, Incorporated	Aluminum Storm Sewer	88
Kaiser Aluminum, Incorporated	Corlix	6
Kaiser Aluminum, Incorporated	Corlix (Perforated)	10
Julius Koch USA, Incorporated	Ritza Glaretamer	291
Koppers Company, Incorporated	Bituminous Pavement Rejuvenator	221
Koppers Company, Incorporated	Koppers Concrete Sealer	81
Koppers Company, Incorporated	Koppers Sound Barrier	323
Koppers Company, Incorporated	Koppers Wear Guard	359
Koppers Company, Incorporated	Koppers Wear Guard (Rubber)	409
L&B/AJB, Incorporated	Tapisable	145
Lane Enterprises, Incorporated	Concrete Arch Buried Bridge	432
Lane Metal Products Company, Inc.	Low Profile Steel Box Culvert	340

**INDEX OF MANUFACTURERS**  
**December 13, 2011**

<u>Manufacturer</u>	<u>Product Name</u>	<u>Number</u>
Lane Metal Products Company, Inc.	Plastic-Bore	376
Lane-Wells Company	Road Logger	25
Larutan Corporation	Aquatain	166
Larutan Corporation	Paczyme	152
Larutan Corporation	Perma-Bind	211
Logan Clay Products	Vitrachem	1
Logan County Asphalt Company	Proline Products	513
Lone Star LaFarge Company	Fondu	286
Lone Star Polymer Concrete Company	Hollow Shell Median Barriers	331
W. F. Macklin and Associates	Lignin Sulphonate Road Binder	135
Mar Mac Manufacturing, Incorporated	Catch-All, The	495
Louis Marsch, Incorporated	HFM-P Emulsion Prime	333
Master Builders, Incorporated	Confilm	82
Master Builders, Incorporated	Pozzolith 100-HE	210
Master Builders, Incorporated	Pozzolith 100-XR	127
Materials Service Corporation	Materialite	175
McCann Concrete Products	Cable Concrete	431
McTech Group	UltraCure	522
Meadowbrook Enterprises, Incorporated	Semperit Bodan Grade Crossing	288
W. R. Meadows, Incorporated	Ceramar	345
W. R. Meadows, Incorporated	Melnar-8	265
W. R. Meadows, Incorporated	Pressure Relief Joint	133
W. R. Meadows, Incorporated	Sealtight WP-45	92
Medallion Corporation	Weathercote T	219
Medusa Portland Cement Company	ChemComp	87
Michigan Chemical Corporation	Dustmaster	9
Michigan Chemical Corporation	MC Granular Calcium Chloride	136
Midwest Manufacturing Corporation	Flex-Lok	252
Midwest Ralumac	Ralumac Micro-Surfacing	404
Minnesota Mining and Manufacturing Co.	4727 Zinc-Hydrogel Anode	480
Minnesota Mining and Manufacturing Co.	Asphadur (Stab. Additive 5990)	300
Minnesota Mining and Manufacturing Co.	Ceramascap	216
Minnesota Mining and Manufacturing Co.	Scotchkote Resin No. 117	220
Minnesota Mining and Manufacturing Co.	Scotchkote Resin No. 202	251
Minnesota Mining and Manufacturing Co.	Stamark	276
Minnesota Mining and Manufacturing Co.	Stamark Detour Grade	322
Mirafi, Incorporated	Miramat	363
Mirafi, Incorporated	PRF 140 (Mirafi 140)	223
Mobil Chemical Company	Uni-Pak	270
Monsanto Company	Chemgrass	153
Monsanto Company	Lion Colay Asphalt	95
Monsanto Company	Lion Nokorode Al-Kote	146
Monsanto Company	Lion Nokorode Seal Kote	147
Monsanto Company	Lustra-Span	13
Monsanto Company	MDM Drainage Mat (Hydraway)	343
Morton Salt Company	Sodium Chloride Stabilization	123

**INDEX OF MANUFACTURERS**  
**December 13, 2011**

<u>Manufacturer</u>	<u>Product Name</u>	<u>Number</u>
NHI, Limited	Solar-Laglugel	319
NL Chemicals	Nalzin 2	357
National Chemical Corporation	Barrier	156
National Corrugated Steel Pipe Assoc.	Corrugated Steel Pipe	290
National Flaxseed Processors Association	Linseed Oil Curing Compound	177
National Patent Development Corporation	Hydron 100	204
National Utility Products Company	Adjus-to-Grade	76
Neel Company	T-Wall Retaining Wall	439
Neenah Foundry Company	Pavajuster	75
Nelson Iron Works	Nelson Railchair	400
Neogard Corporation (Jones Blair Co.)	Auto-Gard	77
Neville Chemical Company	Pavebrite	85
Nilex Corporation	GeoRidge	503
North American Green	C350 EC/TRM	469
North American Green	P300 Erosion Control Blanket	391
North American Hacon, Incorporated	Bongossi	377
Northfield Block Company	Diamond Wall System	435
Novagard Corporation	Novadeck 750	170
Novocon International, Incorporated	Xorex Steel Fibers	427
Oil Dry Corporation of America	Terra-Green	32
Oneida Manufacturing	Oneida Structural Foam	243
Orangeburg Manufacturing Company	Klean-Kote	40
Osiose Wood Preserving Company of America, Incorporated	Osiose K-33	124
Owens-Corning Corporation	Tru-Flow	463
Owens-Corning Fiberglas Corporation	FRP Road Signs	339
Owens-Corning Fiberglas Corporation	Roadglas	321
P. K. Distributing Company	Verglimit	302
Pace Products, Incorporated	Traffix	150
Panel Products, Incorporated	Dura-Check	485
Pacific Spiral Rib Pipe	Spiral Rib Pipe	371
Park Rubber Company	Parkco	278
Park Rubber Company	Parkco Lag Down Crossing	381
Pave-Mark Corporation	Hot Tape	425
Pavetech BJS, Incorporated	Pavetech Bridge Joint System	418
Pavon Corporation	Black Magic CPR	246
Pecora Corporation	Pecora 300 Silicone	494
Pecora Corporation	Pecora 301 Silicone	498
Pegfence International, Incorporated	Lock-Post	386
Penn-Barks Corporation	Plasti-Flo	258
Pennwalt Corporation	Tufchem	176

**INDEX OF MANUFACTURERS**  
**December 13, 2011**

<u>Manufacturer</u>	<u>Product Name</u>	<u>Number</u>
Pennwalt Corporation	Tufchem Membrane	193
Performance Polymers, Incorporated	PPI Rubber Interface	481
Perma-Patch	Perma-Patch	514
Phillips Fibers Corporation	SuperGro 758	416
Phillips Petroleum Company	PetroMat	191
Phillips Petroleum Company	Petroset AT	190
Phillips Products Company, Incorporated	Driscopipe 7600	279
Pittenger and Cook Engineering, Inc.	P.A.C.E. Crossing	420
Plymouth Industrial Products	Superflexon Valve Boxes	111
Pocono Fabricators, Incorporated	Fast-Set Pre-Krete	151
Polyguard Pipeline Products, Incorporated	Polyguard No. 857-G Membrane	214
Polysar, Incorporated	Polysar Latex	324
POPIT, INC	POPIT	507
PPG Industries	Pigmented Pitt-LOC	143
PPG Industries	Pittguard DTR	378
PQ Partners, LLC	Ooze Tube	508
<b>Precision Pipe &amp; Products Inc.</b>	<b>Infrasteel Pipe*</b>	<b>526</b>
Preco Industries, Incorporated	Quik Rok	280
Precured RDF Tirefill, Incorporated	Omni Shimless Grade Crossing	338
Preform Parking Engineers, Incorporated	Epoxy Traffic Paint	65
Presstite Division Interchemical Corp.	Presstite No. 357.5	73
Presto Products, Incorporated	Geoblock Landscaping System	387
Prince Manufacturing Company	Lignin LS-50	423
Prismo Universal Corporation	Plastix SD	272
Prismo Universal Corporation	Prismoseal A2	328
Prismo Universal Corporation	Spraygrip	180
Products Research and Chemical Corp.	Rubber Calk 3105	112
Proseed (U.S.A.), Incorporated	PS 100 Mulch Blanket	419
Protecto Wrap Company	Protecto Wrap M-400 Membrane	213
Proven Products, Incorporated	Forward	253
Pyrament/Lone Star Industries Inc.	Pyrament 505	397
Railroad Friction Products Corporation	Cobra-X	358
The Reardon Company	Bondex Concrete Patch	66
Red Hawk Rubber Company	Red Hawk Full Depth Rubber Crossing	406
H. B. Reed and Company, Incorporated	Black Beauty	33
The Reinforced Earth Company	Durisol	441
The Reinforced Earth Company	Pyramid	454
Republic Powdered Metals	Alumanation No. 301	165

---

\* **New item**

**INDEX OF MANUFACTURERS**  
**December 13, 2011**

<u>Manufacturer</u>	<u>Product Name</u>	<u>Number</u>
Republic Steel Corporation	Plastic-Coated Dowel Bars	137
Rexius Forest By-Products, Inc.	EcoBlanket	504
Rock Island Corporation	Resincore	103
Rohm and Haas Company	Rhoplex E-300	128
Rohm and Haas Company	Rhoplex MC-4530	60
Rohm and Haas Company	Sealer-Healer 1540 Monomer	401
Royston Laboratories, Incorporated	Rosphalt 50	352
Royston Laboratories, Incorporated	Royston Bridge Membrane No. 10	212
Ruberoid Company, Limited	Hyload	239
J. D. Russell Company	Reflex Rubber Expansion Joint	492
S & D Products, Incorporated	Eeesy Grow	54
Sahuaro Petroleum and Asphalt Company	Over-Flex	303
St. Regis Culvert, Incorporated	Aluminized Steel Type 1 CMP	486
Sakrete	Sakrete All Weather Cold Patch	515
Sakrete	U.S. Cold Patch	516
Sandell Manufacturing Company, Inc.	Poly-Tite	183
Seabord Asphalt Products	Bond-X	524
Seabord Asphalt Products	Green C-mix	525
Set Products, Incorporated	Set 45	299
Set Products, Incorporated	Set Instant Concrete Repair	232
Set Products, Incorporated	Set Non-Shrink Grout	287
Shell Oil Company	Dutrex 757	314
Shell Oil Company	Guardkote 140	116
Shell Oil Company	Guardkote 250	117
Sherwin-Williams Company	Linseed Oil Anti-Spalling Emulsion	144
Sibley Machine and Foundry Corporation	Tie Collar Assembly	399
Signode Corporation	Sno-Strap	396
Sika Corporation	Colma Membrane Compound	120
Sika Corporation	Plastiment	52
Sika Corporation	Sika Set	109
Silbrico Corporation	All-Weather Crete HI-45	102
Silt Fence Fabricators, LLC	Welded Wire Monofilament Inlet Protector	521
Silt-Saver, Incorporated	Silt-Saver Frame & Filter Assembly	506
Slip-Pruf Service Corporation	SP-3	99
Sonoco Products Company	Duopipe Fiber Vaults	97
Sonoco Products Company	Duopipe Sectional Slope Drain	72
Southwest Research Institute	Epoflex	301
Southwestern Pipe, Incorporated	Poz-Loc Post and Socket Assembly	384
Spiral Engineered Systems	Spirolite	346

**INDEX OF MANUFACTURERS**  
**December 13, 2011**

<u>Manufacturer</u>	<u>Product Name</u>	<u>Number</u>
Springbok Corporation	Express Repair	139
Standard Dry Wall Products, Incorporated	Roadpatch	231
Stanray Corporation	Stanray Inlet	47
Steelcote Manufacturing Company	PE-50	67
Steelplank Corporation	Steelplank	245
Storey Brothers and Company, Limited	Butylfelt	238
Structural Rubber Products Company	Saf & Dri	248
Structural Rubber Products Company	Saf & Dri Model-C	320
Structural Rubber Products Company	Southern Main Line Crossing	372
Superior Products Company, Incorporated	Superseal 4000-HT	242
Superior Sealers Company	Asphaltic Mastic Rope	237
Sylvax Chemical Corporation	Sylvax UPM	262
Synopal, Limited	Synopal	56
Syro Steel Company	Vehicle Attenuator Terminal	395
Szarka Enterprises, Incorporated	Fab-Ra-Cast	228
T. K. Products, Incorporated	Tri-Kote 18	80
T. K. Products, Incorporated	Tri-Kote 26	16
Tamms Industries, Incorporated	Speed Crete	126
TechStar, Incorporated	TechStar W-Seal	457
Templar, Incorporated	Bridge Kote No. 50	134
Tensar Corporation	Tensar Erosion Mat - NS3000	411
Tensar Corporation	Tensar Snowfence	370
Tex-Crete, Incorporated	Dylex Latex 1186	285
Tex-Tube Division-Detroit Steel Company	Tex-Tube	141
Textured Coating of America, Incorporated	TCA Bridge-Cote	168
Thiokol Chemical Corporation	Thiokol 411-M	199
E. A. Thompson Company, Incorporated	Thompson's Water Seal	273
Tremco, Incorporated	Spectrem (DS Brown) 800	501
Tropical Paint Company	Tropilon Black	159
Ultraliner, Incorporated	Ultraliner	502
Underground Technologies LLC	UGT Manhole Grade Ring	511
Unelko Corporation	Unelko Water Repellent	164
Union Carbide Corporation	Placewel R	118
Union Carbide Corporation	UCAR	209
Uniroyal, Incorporated	Uniroyal Flexible Membrane 6125	172
Uniroyal, Incorporated	Uniroyal Railroad Crossing	277
United Laboratories, Incorporated	UL-29 Liquid Ice Melter	161
United States Grout Corporation	Five Star Highway Patch	315
United States Gypsum Company	Duracal	202
United States Gypsum Company	Enviro-Shield	509

**INDEX OF MANUFACTURERS**  
**December 13, 2011**

<u>Manufacturer</u>	<u>Product Name</u>	<u>Number</u>
United States Gypsum Company	Expand X	45
U. S. Rubber Reclaiming Company, Inc.	Flo-Mix	149
U. S. Rubber Reclaiming Company, Inc.	Ramflex	59
United States Steel Corporation	Chain Link Fence Glare Screen	306
United States Steel Corporation	Cor-Ten Guard Rail	8
United States Steel Corporation	Garylite	197
United States Steel Corporation	Lakelite	179
United States Steel Corporation	Nexon	244
United States Steel Corporation	Nexus	138
Universal Oil Products Company	Copper Smelter Slag	250
Urecal Corporation	Urecal	157
U-Tech	WeedEnder	512
Vector Corrosion Technologies	Galvashield	493
Vermeer Manufacturing Company	TM-700 Tree Mover	83
Vibroflotation Foundation Company	Alidrain	296
Walker Poroswall Pipe Company	Poroswall	7
Walker Poroswall Pipe Company	Poroswall Pipe	394
Walsh and Kelly, Incorporated	Cold Mix BAM	181
R. J. Watson, Incorporated	Flexcon 2000 Joint System	442
R. J. Watson, Incorporated	Silicoflex	479
Watson Bowman Acme Corporation	Wabo Two Part Silicone Sealant	489
Welch Products, Incorporated	DuroTrim	496
Welded Beam Corporation	Welded Beam Guardrail Post	327
Western Brick Company	Haydite	198
Weyerhaeuser Company	Weyerhaeuser Glulam	316
Wheeling Corrugating Company	Glare Screen	162
Wheeling Service and Supply, Inc.	Hydrotube	282
Wheeling Service and Supply, Inc.	Poly Vinyl Steel	163
Wisconsin Plastic Drain Tile Corporation	Heavy Duty Plastic Apron Endwall	488
Witco Chemical Company	Coherex	24
Witco Chemical Company	CRF Crack Filler	329
Witco Chemical Company	Cyclogen	297
Witco Chemical Company	Reclamite	22
Witco Chemical Company	SACI Corrosion Inhibitor	412
Witco Chemical Company	Witcogard	23
Work Area Protection Corporation	Manhole Protector Ring	500
Young Metal Products, Incorporated	Welded Culvert Pipe	93

**INDEX OF PRODUCTS BY CATEGORY**  
December 13, 2011

<u>Product Name</u>	<u>Number</u>	<u>Manufacturer</u>	<u>Status</u>
<b>AGGREGATE</b>			
Black Beauty	33	H. B. Reed & Company, Incorporated	A
Boiler Slag	55	Combustion By-Products Company	A
Copper Smelter Slag	250	Universal Oil Products Company	R
Fly Ash	96	Chicago Fly Ash Company	A
Garylite	197	United States Steel Corporation	W
Haydite	198	Western Brick Company	R
Lakelite	179	United States Steel Corporation	W
Materialite	175	Material Service Corporation	A
Steel Furnace Slag	89	Illinois Slag and Ballast Company	A
Steel Slag	310	Heckett Engineering Company	A
Styrofoam	3	Dow Chemical Company	A
Synopal	56	Synopal, Limited	R

**BITUMINOUS MATERIALS**

All-Weather Crete HI-45	102	Silbrico Corporation	A
Asbestos Thin Overlay	38	Johns-Manville Products Corporation	R
Asphadur (Stab. Additive 5990)	300	Minnesota Mining & Manufacturing Co.	R
Bituminous Pavement Rejuvenator	221	Koppers Company, Incorporated	R
Bitumuls Cationic Emulsified Asphalts	64	Chevron Asphalt Company	A
Bond-X	524	Seaboard Asphalt Products	A
Cold Mix BAM	181	Walsh & Kelly, Incorporated	W
Colfix Jet Seal	130	Chevron Asphalt Company	R
Crown-Rite	196	Crown-Trygg Corporation	A
CRS-2S Asphalt Emulsion	332	Bitucote Products Company	R
Cyclogen	297	Witco Chemical Company	A
Delugrip	293	Dunlop, Limited	R
Dutrex 757	314	Shell Oil Company	W
Extrudamat	429	Fiberized Products, Incorporated	A
Fiber Pave	325	Hercules, Incorporated	A
Flo-Mix	149	U. S. Rubber Reclaiming Co., Inc.	W
Four Seasons Bituminous Premix	274	Emulsified Asphalts, Incorporated	A
Gilsabind	114	Gilsabind Corporation	R
Green C-mix	525	Seaboard Asphalt Products	A
Green Patch	523	Cofire Industries	A
Gripstop	140	Gripstop Corporation	W
HFE-90S	344	Bituminous Materials Company, Inc.	A
HFM-P Emulsion Prime	333	Louis Marsch, Incorporated	A
Instant Road Repair	309	Emcol of Illinois, Incorporated	A
Instant Road Repair II	456	Safety Lights Company	A
Laykold Heavy Duty Resurfacer	189	Chevron Asphalt Company	A
Lion Colay Asphalt	95	Monsanto Company	R

<b>A</b> -Accepted	<b>R</b> -Rejected	<b>T</b> -Field test in progress or planned
<b>L</b> -Laboratory test in progress or planned	<b>P</b> -Action pending; more information needed	
<b>W</b> -Referred to potential user without recommendation or withdrawn by vendor		

**INDEX OF PRODUCTS BY CATEGORY**  
**December 13, 2011**

<u>Product Name</u>	<u>Number</u>	<u>Manufacturer</u>	<u>Status</u>
Microfil 8	369	Cabot Corporation	R
Mulseal	110	Emulsified Asphalts, Incorporated	A
MWS Emulsified Asphalt Hot Mix	28	Asphalt Emulsions, Incorporated	A
Nophalt	313	Chem-Krete Corporation	R
Over-Flex	303	Sahuaro Petroleum & Asphalt Co.	A
P-221 Fibers	295	DuPont & Company, Incorporated	R
Pave, Pave-Bond	4	Carlisle Chemical Works	A
Perma-Bind	211	Larutan Corporation	R
Perma-Patch	514	Perma-Patch	A
PetroMat	191	Phillips Petroleum Company	A
Petroset AT	190	Phillips Petroleum Company	R
Pliopave L-170	174	Goodyear Tire & Rubber Company	A
Polysar Latex	324	Polysar, Incorporated	A
Proline Products	513	Logan County Asphalt Company	A
Ralumac Micro-Surfacing	404	Midwest Ralumac	A
Ramflex	59	U. S. Rubber Reclaiming Co., Inc.	R
Reclamite	22	Witco Chemical Company	R
Roadglas	321	Owens-Corning Fiberglas Corporation	A
Rosphalt 50	352	Royston Laboratories, Incorporated	R
Rub-R-Road R-504	91	Firestone Tire and Rubber Company	A
Sakrete All Weather Cold Patch	515	Sakrete	A
Slurry Seal	122	International Slurry Seal Association	R
Slurry Seal	167	International Slurry Seal Association	A
Solar-Laglugel	319	NHI, Limited	R
Sylvax UPM	262	Sylvax Chemical Corporation	A
Tapisable	145	L&B/AJB, Incorporated	A
Traffix	150	Pace Products, Incorporated	W
Trinidad Asphalt	217	Great Lakes Asphalt, Incorporated	W
U.S. Cold Patch	516	Sakrete	R
Verglimit	302	P. K. Distributing Company	R

**DRAINAGE**

A-2000	362	Armco, Incorporated	A
Adjus-to-Grade	76	National Utility Products Company	A
ADS End Sections	390	Advanced Drainage Systems	R
Air-O-Form	403	Concepts in Concrete, Incorporated	W
Akwadrain	383	American Wick Drain Company	R
Alidrain	296	Vibroflotation Foundation Company	A
Aluminized Steel Type 1 CMP	486	St. Regis Culvert, Incorporated	A
Aluminized Steel Type 2 CMP	294	Armco, Incorporated	A
Aluminum Box Culvert	304	Kaiser Aluminum, Incorporated	A
Aluminum Culvert (Wide Sheet)	39	Kaiser Aluminum, Incorporated	A
Aluminum Pipe Arch	11	Kaiser Aluminum, Incorporated	A
Aluminum Sectional Plate	46	Kaiser Aluminum, Incorporated	A
Aluminum Storm Sewer	88	Kaiser Aluminum, Incorporated	A

<b>A</b> -Accepted	<b>R</b> -Rejected	<b>T</b> -Field test in progress or planned
<b>L</b> -Laboratory test in progress or planned	<b>P</b> -Action pending; more information needed	
<b>W</b> -Referred to potential user without recommendation or withdrawn by vendor		

**INDEX OF PRODUCTS BY CATEGORY**  
**December 13, 2011**

<u>Product Name</u>	<u>Number</u>	<u>Manufacturer</u>	<u>Status</u>
Asphaltic Mastic Rope	237	Superior Sealers Company	A
Bidim (Trevira)	269	Hoechst Fibers Industries	A
Blac-Klad	254	Inland Steel Company	A
Cadilloc	366	Cadilloc External Pipe Joint, Inc.	A
Catch-All, The	495	Mar Mac Manufacturing, Inc.	A
CorBan RPM Liner Pipe	335	Armco, Incorporated	A
Corlix	6	Kaiser Aluminum, Incorporated	A
Corlix (Perforated)	10	Kaiser Aluminum, Incorporated	A
Corrugated Polyethylene Culvert	308	Advanced Drainage Systems, Inc.	W
Corrugated Steel Pipe	290	National Corrugated Steel Pipe Assoc.	R
Corrugated Steel Storm Sewer Pipe	267	Illinois Corrugated Steel Pipe Assoc.	R
Cretex	201	Cretex Companies, Incorporated	R
Cretex Pro-Ring	519	Cretex Specialty Products	T
Dandy Bag	474	Dandy Products, Incorporated	T
Drain Guard	230	Advanced Drainage of Illinois	A
Dreco PVC Pipe	266	Drainage Engineering Corporation	A
Driscopipe 7600	279	Phillips Products Company, Inc.	A
Duropipe Sectional Slope Drain	72	Sonoco Products Company	R
Enkadrain	367	American Enka Company	R
Enviro Frame	484	Enviromax Rubber, Incorporated	W
Flextran	185	Johns-Manville Products Corporation	R
FRP Manholes	351	Armco, Incorporated	A
Ful-Flo	2	Granco Steel Company	R
Galvalume	307	Bethlehem Steel Corporation	A
Gering Sewer/Drain Pipe	78	Gering Plastics Company	R
Grappler	473	Virtual Industries, Incorporated	T
Heavy Duty Plastic Apron Endwall	488	Wisconsin Plastic Drain Tile	R
Hy-Span	408	Hyway Concrete Pipe Company	A
Hydrotube	282	Wheeling Service and Supply, Inc.	R
Infiltrator	444	Infiltrator Systems, Incorporated	T
<b>Infrasteel*</b>	<b>526</b>	<b>Precision Pipe &amp; Products Inc.</b>	<b>A</b>
Inliner USA	447	Inliner USA, Incorporated	A
Insituform	348	Insituform Technologies, Incorporated	A
Klean-Kote	40	Orangeburg Manufacturing Company	R
Ladder Manholes and Bases	48	C. P. Engineering	R
Low Profile Steel Box Culvert	340	Lane Metal Products Company, Inc.	A
Manhole Riser	476	American Highway Products, Ltd.	T
Mas-Stik	236	Concrete Products Supply Company	A
MDM Drainage Mat (Hydraway)	343	Monsanto Company	R
Mirafi 140 (PRF 140)	223	Celanese Fibers Marketing Company	A
Mirafi 500X	298	Celanese Fibers Marketing Company	A
Nexon	244	United States Steel Corporation	A
No-Bel Joint	229	Clow Corporation	A

\* New item

<b>A</b> -Accepted	<b>R</b> -Rejected	<b>T</b> -Field test in progress or planned
<b>L</b> -Laboratory test in progress or planned	<b>P</b> -Action pending; more information needed	
<b>W</b> -Referred to potential user without recommendation or withdrawn by vendor		

**INDEX OF PRODUCTS BY CATEGORY**  
**December 13, 2011**

<u>Product Name</u>	<u>Number</u>	<u>Manufacturer</u>	<u>Status</u>
NuPipe	440	Insituform Technologies, Incorporated	T
Pavajuster	75	Neenah Foundry Company	A
Perforated Concrete Tile	281	Economy Tile Company	W
Perma Loc	341	Johns-Manville Products Corporation	A
Plasti-Flo	258	Penn-Barks Corporation	R
Plastic-Bore	376	Lane Metal Products Company, Inc.	A
Poly-Filter X	255	Carthage Mills, Incorporated	A
PolyDrain	467	ABT, Incorporated	A
POPIT	507	POPIT, INC	A
Poroswall	7	Walker Poroswall Pipe Company	R
Poroswall Pipe	394	Walker Poroswall Pipe Company	R
PRF 140 (Mirafi 140)	223	Mirafi, Incorporated	A
PVC Underdrain	261	Hurlbut Plastic Pipe Corporation	A
Quick Stab	499	Contech Construction Products	A
Silt-Saver Frame & Filter Assembly	506	Silt-Saver, Incorporated	A
Siltsack	453	Atlantic Construction Fabrics, Inc.	W
Smooth Cor	382	Caldwell Culvert Company	A
Spiral Rib Pipe	371	Pacific Spiral Rib Pipe	A
Spirolite	346	Spiral Engineered Systems	A
Stainless Hel-Cor	58	Armco, Incorporated	R
Stanray Inlet	47	Stanray Corporation	A
Transite Storm Sewer	125	Johns-Manville Products Corporation	R
Transite Underdrain Pipe	71	Johns-Manville Products Corporation	R
Trevira	269	Hoechst Fibers Industries	A
TruFlow	463	Owens-Corning Corporation	R
Truss Pipe	184	Armco, Incorporated	R
UGT Manhole Grade Ring	511	Underground Technologies LLC	T
Ultra-Rib	405	Extrusion Technologies, Incorporated	A
Ultraliner	502	Ultraliner, Incorporated	A
Verti-Pro	491	Alpine Stormwater Management Co.	W
Vitrachem	1	Logan Clay Products	A
Welded Wire Monofilament Inlet Protector	521	Silt Fence Fabricators	A
Welded Culvert Pipe	93	Young Metal Products, Incorporated	A

**EQUIPMENT**

Cline Rolling Straightedge	68	Frank Cline Tractor Company	R
Concut Bump Cutter	41	Concut, Incorporated	W
Concrete Planer	84	Christensen Diamond Products Co.	R
R-1000 Repaver	44	Cutler Engineering	A
Road Logger	25	Lane-Wells Company	R
TM-700 Tree Mover	83	Vermeer Manufacturing Company	W

**JOINTS**

<b>A</b> -Accepted	<b>R</b> -Rejected	<b>T</b> -Field test in progress or planned
<b>L</b> -Laboratory test in progress or planned	<b>P</b> -Action pending; more information needed	
<b>W</b> -Referred to potential user without recommendation or withdrawn by vendor		

**INDEX OF PRODUCTS BY CATEGORY**  
**December 13, 2011**

<u>Product Name</u>	<u>Number</u>	<u>Manufacturer</u>	<u>Status</u>
Belzona 4521 Magna-Flex Fluid	518	Belzona, Inc.	A
Black Magic CPR	246	Pavon Corporation	R
Ceramar	345	W. R. Meadows, Incorporated	A
CRF Crack Filler	329	Witco Chemical Company	R
Dow Corning 888	445	Dow Corning Corporation	A
Dow Corning 890-SL	446	Dow Corning Corporation	R
Ethafoam	142	Dow Chemical Company	A
FiberDowel	472	RJD Industries, Incorporated	T
Flex-Lok	252	Midwest Manufacturing Corporation	R
Homex	69	Homasote Company	A
Homex 300	195	Homasote Company	A
Load Transfer Device	62	Acme Highway Products Corporation	R
Para-Plastic (Super) No. 2341-Z	94	Dewey & Almy Division, W. R. Grace and Company	A
Pecora 300 Silicone	494	Pecora Corporation	W
Pecora 301 Silicone	498	Pecora Corporation	A
Plastic-Coated Dowel Bars	137	Republic Steel Corporation	R
Poly-Tite	183	Sandell Manufacturing Company, Inc.	R
Presstite No. 357.5	73	Presstite Division, Interchemical Corp.	A
Pressure Relief Joint	133	W. R. Meadows, Incorporated	R
Prismo seal A2	328	Prismo Universal Corporation	R
Pro-Seal 968	79	Coast Pro-Seal and Manufacturing Co.	R
Reflex Rubber Expansion Joint	492	J. D. Russell Company	A
Roadsaver Silicone 34902	461	Crafco, Incorporated	R
Roadsaver Silicone 34903	462	Crafco, Incorporated	R
Rubber Calk 3105	112	Products Research and Chemical Corp.	R
Scotchkote Resin No. 202	251	Minnesota Mining & Manufacturing Co.	A
Spectrem (DS Brown) 800	501	Tremco, Incorporated	R
Urethane Expansion Joint	14	Barrett Division-Allied Chemical Corp.	R

**PORTLAND CEMENT CONCRETE**

Acroflex	63	Gordon Bartels Company	W
Albitol	292	American Vamag Company, Inc.	W
Anti-Hydro	205	Anti-Hydro Waterproofing Company	R
Barrier	156	National Chemical Corporation	R
Bondex Concrete Patch	66	The Reardon Company	R
CDC Plastic Concrete	86	Concrete Development Corporation	W
ChemComp	87	Medusa Portland Cement Company	W
Chem-Trete BSM	330	Dynamit Nobel	W
Colma Membrane Compound	120	Sika Corporation	R
Colorcrete	12	W. E. Dunn Manufacturing Company	R
Confilm	82	Master Builders, Incorporated	R
Creto	200	Creto International	R
Custom Rock Form Liner System	436	Custom Rock International	A

<b>A</b> -Accepted	<b>R</b> -Rejected	<b>T</b> -Field test in progress or planned
<b>L</b> -Laboratory test in progress or planned	<b>P</b> -Action pending; more information needed	
<b>W</b> -Referred to potential user without recommendation or withdrawn by vendor		

**INDEX OF PRODUCTS BY CATEGORY**  
**December 13, 2011**

<u>Product Name</u>	<u>Number</u>	<u>Manufacturer</u>	<u>Status</u>
Daraweld C	119	W. R. Grace and Company	R
Darex Corrosion Inhibitor	305	W. R. Grace and Company	A
Dow Corning 777	29	Dow Corning Corporation	R
Duracal	202	United States Gypsum Company	A
Elastizell Concrete	312	Elastizell Corporation of America	A
Epoxy Modified Concrete	326	Celanese Resins	W
Express Repair	139	Springbok Corporation	W
Far-Go Swift-Set	106	Dry Mix Concrete Company	R
Far-Go Vinyl Patching Compound	43	Dry Mix Concrete Company	R
Fast-Set Pre-Krete	151	Pocono Fabricators, Incorporated	W
Five Star Highway Patch	315	United States Grout Corporation	A
Five Star Structural Concrete V/O	414	Five Star Products, Incorporated	A
Fondu	286	Lone Star LaFarge Company	R
Gemcrete	347	Gemite Unique Products, Incorporated	A
Hydro-Plug	105	Camp Company, Incorporated	W
Hydron 100	204	National Patent Development Corp.	R
Koppers Concrete Sealer	81	Koppers Company, Incorporated	R
Linseed Oil Anti-Spalling Emulsion	144	Sherwin-Williams Company	R
Linseed Oil Curing Compound	177	National Flaxseed Processors Assoc.	R
Mari-Crete	203	Atlas Minerals & Chemical Division, ESB, Incorporated	R
N. U. Boiled Linseed Oil Emulsion	98	Agricultural Research Service USDA	R
PE-50	67	Steelcote Manufacturing Company	R
Placewel R	118	Union Carbide Corporation	W
Plastiment	52	Sika Corporation	W
Pozzolith 100-HE	210	Master Builders, Incorporated	A
Pozzolith 100-XR	127	Master Builders, Incorporated	W
Pyrament 505	397	Pyrament/Lone Star Industries, Inc.	W
Quick-Set	104	Camp Company, Incorporated	R
Quick-Wedge	460	Erico, Incorporated	R
Quik Rok	280	Preco Industries, Incorporated	W
Roadpatch	231	Standard Dry Wall Products, Inc.	W
Rockbond	355	Elborg Technology Company	A
Rheocrete 222+	471	Master Builders, Incorporated	A
Rhoplex E-300	128	Rohm and Haas Company	R
Rhoplex MC-4530	60	Rohm and Haas Company	W
Sealtight WP-45	92	W. R. Meadows, Incorporated	A
Set 45	299	Set Products, Incorporated	A
Set Instant Concrete Repair	232	Set Products, Incorporated	A
Set Non-Shrink Grout	287	Set Products, Incorporated	A
Sika Set	109	Sika Corporation	R
Sonocure	42	DeSoto Chemical Coatings	R
Speed Crete	57	Concrete Maintenance Products, Inc.	R
Speed Crete	126	Tamms Industries, Incorporated	A

<b>A</b> -Accepted	<b>R</b> -Rejected	<b>T</b> -Field test in progress or planned
<b>L</b> -Laboratory test in progress or planned	<b>P</b> -Action pending; more information needed	
<b>W</b> -Referred to potential user without recommendation or withdrawn by vendor		

**INDEX OF PRODUCTS BY CATEGORY**  
**December 13, 2011**

<u>Product Name</u>	<u>Number</u>	<u>Manufacturer</u>	<u>Status</u>
Sylvatal 40	178	Glidden-Durkee	A
Thompson's Water Seal	273	E. A. Thompson Company, Inc.	R
Tri-Dar 33	148	Darling and Company	R
Tri-Kote 18	80	T. K. Products, Incorporated	R
Tri-Kote 26	16	T. K. Products, Incorporated	A
Tufchem	176	Pennwalt Corporation	R
UltraCure	522	McTech Group	R
Unelko Water Repellent	164	Unelko Corporation	R
Xorex Steel Fibers	427	Novocon International, Incorporated	R
XR-6-5046	131	Dow Corning Company	R
Zemdrain MD2	487	DuPont & Company, Incorporated	A

**PROTECTIVE AND DECORATIVE COATINGS**

Alumanation No. 301	165	Republic Powdered Metals	A
Basic Lead Silico Chromate	49	Eagle Picher Company	R
Bridge Kote No. 50	134	Templar, Incorporated	R
Busan 11-M1	373	Buckman Laboratories, Incorporated	R
Carbo Zinc 11	171	Carboline Company	A
Carbomastic 15	380	Carboline Company	A
Chemprime	154	Al-Con Chemical Company	R
Daugard	23	Daubert Chemical Company	A
Dimetcote E-Z	207	Ameron Corrosion Control Division	R
Empigard	263	Empire Plating Company	R
Farbertite	107	Briggs Bituminous Composition Co.	R
Franklin Polyester Coating	311	Franklin Steel Company	A
Graffiti Solution System	477	American Polymer Corporation	R
Halox	356	Hammond Lead Products, Incorporated	R
Industrial Protective Coating	50	Jessop Steel Company	R
Inorganic Zinc Primer No. 1302	218	Jordan Paint Manufacturing Co., Inc.	W
K-Zinc 531	353	Inorganic Coatings, Incorporated	R <sup>1</sup>
Lion Nokorode Al-Kote	146	Monsanto Company	A
Lion Nokorode Seal Kote	147	Monsanto Company	A
Nalzin 2	357	NL Chemicals	R
Neutra-Rust	368	American Sales Company, Inc.	R
Osrose K-33	124	Osrose Wood Preserving Company of America, Incorporated	A
P-7 Paint	206	Hammond Lead Products, Inc.	R
Pigmented Pitt-LOC	143	PPG Industries	R
Pioneer 507	169	Daubert Chemical Company	A
Pittguard DTR	378	PPG Industries	W
Poly Vinyl Steel	163	Wheeling Services and Supply, Inc.	R
Portland Cement Paint	51	Glidden Company	R
SACI Corrosion Inhibitor	412	Witco Chemical Company	A

<sup>1</sup> One coat rejected. Three coat withdrawn.

<b>A</b> -Accepted	<b>R</b> -Rejected	<b>T</b> -Field test in progress or planned
<b>L</b> -Laboratory test in progress or planned	<b>P</b> -Action pending; more information needed	
<b>W</b> -Referred to potential user without recommendation or withdrawn by vendor		

**INDEX OF PRODUCTS BY CATEGORY**  
**December 13, 2011**

<u>Product Name</u>	<u>Number</u>	<u>Manufacturer</u>	<u>Status</u>
Scotchkote Resin No. 117	220	Minnesota Mining & Manufacturing Co.	R
Sealer-Healer 1540 Monomer	401	Rohm and Haas Company	R
Silicone Alkyd	256	Dow Corning Corporation	A
SRP Water Borne Vinyl	426	Glidden Company	W
TCA Bridge-Cote	168	Textured Coatings of America, Inc.	A
Topcoat Polyester Powder	379	Armstrong Products Company	W
Uni-Pak	270	Mobil Chemical Company	R
Urecal	157	Urecal Corporation	R
Weathercote T	219	Medallion Corporation	A
Witcogard	23	Witco Chemical Company	A

**RAILROAD CROSSINGS**

Blacksmith Shunt Free Concrete Crossing	450	Blacksmith Railroad Supply	W
Century Precast Concrete Railroad Crossing	417	Century Precast	R
Century Precast Frameless Concrete Railroad Crossing	466	Century Precast	A
Cobra-X	358	Railroad Friction Products Corporation	R
Epflex Railseal Interface	388	Epton Industries, Incorporated	A
Fab-Ra-Cast	228	Szarka Enterprises, Incorporated	A
Gen-Trac	260	General Tire & Rubber Company	A
Gen-Trac II	349	General Tire & Rubber Company	W
Goodyear Full-Depth Rubber Crossing	443	Goodyear Tire and Rubber Company	A
Goodyear Hi-Miler	422	Goodyear Tire and Rubber Company	A
Koppers Wear Guard	359	Koppers Company, Incorporated	R
Koppers Wear Guard (Rubber)	409	Koppers Company, Incorporated	R
KSA Full-Width Concrete Grade Crossing	449	Koppers-Sherman-Abetong	A
Modular Track Span	317	Fel-Pro, Incorporated	W
Nelson Railchair	400	Nelson Iron Works	A
Omni Shimless Grade Crossing	338	Precured RDF Tirefill, Incorporated	A
Omni Standard Concrete Crossing	451	Omni Products, Incorporated	A
Oneida Structural Foam	243	Oneida Manufacturing	R
P.A.C.E. Crossing	420	Pittenger and Cook Engineering, Inc.	R
Parkco	278	Park Rubber Company	R
Parkco Lag Down Crossing	381	Park Rubber Company	A
PPI Rubber Interface	481	Performance Polymers, Incorporated	A
Premier Advanced Panel	464	Premier Concrete Railroad Crossing	A
Railroad Prefabricated Crossing Shunt Panel	437	Fite Corporation	W
Red Hawk Full Depth Rubber Crossing	406	Red Hawk Rubber Company	A

<b>A</b> -Accepted	<b>R</b> -Rejected	<b>T</b> -Field test in progress or planned
<b>L</b> -Laboratory test in progress or planned	<b>P</b> -Action pending; more information needed	
<b>W</b> -Referred to potential user without recommendation or withdrawn by vendor		

**INDEX OF PRODUCTS BY CATEGORY**  
**December 13, 2011**

<u>Product Name</u>	<u>Number</u>	<u>Manufacturer</u>	<u>Status</u>
Rubber Railroad Crossing	227	Goodyear Tire and Rubber Company	A
Saf & Dri	248	Structural Rubber Products Company	A
Saf & Dri Model-C	320	Structural Rubber Products Company	A
Semperit Bodan Grade Crossing	288	Meadowbrook Enterprises, Inc.	R
Southern Main Line Crossing	372	Structural Rubber Products Company	A
Startrack II	430	D & M Concrete of Carolina	A
Steelplank	245	Steelplank Corporation	R
Strail Hi-Rail	350	Gummiwerk-Kraiburg	A
Tie Collar Assembly	399	Sibley Machine & Foundry Corporation	R
Track-Span	247	Fel-Pro, Incorporated	R
Union Pacific Precast Concrete Road Crossing	448	Union Pacific Railroad Company	R
Uniroyal Railroad Crossing	277	Uniroyal, Incorporated	W
Weyerhaeuser Glulam	316	Weyerhaeuser Company	W

**ROADSIDE DEVELOPMENT**

Aluminized Steel Type 2 Fence Tubing	334	Armco, Incorporated	A
Applegate Mulch	410	Applegate Insulation Manufacturing	A
Aquatain	166	Larutan Corporation	R
Armco Noise Barrier	284	Armco, Incorporated	R
Bongossi	377	North American Hacon, Incorporated	R
C350 EC/TRM	469	North American Green	A
Cable Concrete	431	McCann Concrete Products	A
Ceramascap	216	Minnesota Mining & Manufacturing Co.	W
Checker Block	275	Hastings Pavement Company, Inc.	R
Chemgrass	153	Monsanto Company	R
Conlock Concrete Blocks	415	Hydro-Turf and Associates, Inc.	A
Curbstone	365	Curbstone, Incorporated	A
Diamond Wall System	435	Northfield Block Company	A
Dow Mulch Binder	268	Dow Chemical Company	A
Dura-Check	485	Panel Products, Incorporated	R
Durisol	441	The Reinforced Earth Company	A
DuroTrim	496	Welch Products, Incorporated	A
EAS Silent Screen Panel	520	Empire Acoustical Systems	T
EcoBlanket	504	Rexius Forest By-Products, Inc.	A
Eeasy Grow	54	S & D Products, Incorporated	R
Enkamat	271	American Enka Company	A
EnviroBerm	490	Cascade Distribution, Limited	A
Enviro-Shield	509	United States Gypsum Company	A
Ero-Mat	374	Armco, Incorporated	A
Erosion Control Netting	336	Conwed Corporation	A
Evercrete Noise Barrier	364	Evercrete, Limited	W
Fabriform Erosion Control Mats	224	Construction Techniques, Incorporated	A
FAST Corner Assembly (Fence)	385	FAST Company	A

<b>A</b> -Accepted	<b>R</b> -Rejected	<b>T</b> -Field test in progress or planned
<b>L</b> -Laboratory test in progress or planned	<b>P</b> -Action pending; more information needed	
<b>W</b> -Referred to potential user without recommendation or withdrawn by vendor		

**INDEX OF PRODUCTS BY CATEGORY**  
**December 13, 2011**

<u>Product Name</u>	<u>Number</u>	<u>Manufacturer</u>	<u>Status</u>
Fence-Crete	452	Faddis Concrete Products	R
Geoblock Landscaping System	387	Presto Products, Incorporated	R
GeoRidge	503	Nilex Corportation	A
Hold-Gro	264	Gulf States Paper Corporation	A
Hydro Mulch Overspray	337	Conwed Corporation	A
I Rock	505	I Rock of Michigan	A
Koppers Sound Barrier	323	Koppers Company, Incorporated	R
L-300 Snow Fence	354	DuPont Canada, Incorporated	A
Lock-Post	386	Pegfence International, Incorporated	W
Mesa System	475	Tensar Earth Technologies, Inc.	W
Miramat	363	Mirafi, Incorporated	R
Noishield	318	Industrial Acoustics Company	R
Ooze Tube	508	PQ Partners, LLC	W
P300 Erosion Control Blanket	391	North American Green	A
Pec-Mat	482	Greenstreak, Incorporated	A
Permafused	158	Anchor Post Products, Incorporated	A
PS 100 Mulch Blanket	419	Proseed (U.S.A.), Incorporated	R
Pyramid	454	The Reinforced Earth Company	A
SC150 Erosion Control Blanket	470	North American Green	A
Silent Protector Plus	517	Harder Luckey Hargrave, Inc	T
Sno-Strap	396	Signode Corporation	R
Soil Retention Blanket	53	American Excelsior Company	A
Sound Off	428	Crane/Cor Tec Company	W
Soundcore	455	Advanced Storage Technology	A
SprayMatt	510	Central Fiber Corporation	A
SS-40 Fence Pipe	259	Allied Tube and Conduit Corporation	A
Sta-Tuft	233	Environmental Products Corporation	R
SuperGro 758	416	Phillips Fibers Corporation	W
T-Wall Retaining Wall	439	Neel Company	A
Tensar Erosion Mat - NS3000	411	Tensar Corporation	A
Tensar Snowfence	370	Tensar Corporation	A
Terra-Green	32	Oil Dry Corporation of America	R
Terra Tack II	257	Grass Growers, Incorporated	A
Tri-Lock	393	American Excelsior Company	A
Triangular Silt Dike System	483	Triangular Silt Dike Company	A
Tuf-Barrier	517	Harder Luckey Hargrave, Inc	T
Urox	108	Barrett Division-Allied Chemical Corp.	A
Verdyol XTRA Standard	468	Verdyol Alabama, Incorporated	A
Versa-Lok Retaining Wall System	438	Bend Industries/Ampress	A
Weedender	512	U-Tech	T
Z Clip	478	International Fence Systems, LLC	W

**SAFETY**

Aluminum Guard Rail	31	ALCOA	R
Carsonite Modular Glare Screen	360	Carson International Corporation	A

<b>A</b> -Accepted	<b>R</b> -Rejected	<b>T</b> -Field test in progress or planned
<b>L</b> -Laboratory test in progress or planned	<b>P</b> -Action pending; more information needed	
<b>W</b> -Referred to potential user without recommendation or withdrawn by vendor		

**INDEX OF PRODUCTS BY CATEGORY**  
**December 13, 2011**

<u>Product Name</u>	<u>Number</u>	<u>Manufacturer</u>	<u>Status</u>
Chain Link Fence Glare Screen	306	United States Steel Corporation	A
Cor-Ten Guard Rail	8	United States Steel Corporation	R
Dragnet Vehicle Arresting Barrier	424	Entwistle Manufacturing Company	A
Forward	253	Proven Products, Incorporated	A
Glare-Gaard	465	Automotive Safety Transport, Inc.	A
Glare Screen	30	ALCOA	R
Glare Screen	162	Wheeling Corrugating Company	R
Hi-Dri Cell Guardrail Blockout	234	Energy Absorption Systems, Inc.	R
Hollow Shell Median Barriers	331	Lone Star Polymer Concrete Company	W
IBC Mk-7 Barrier	361	International Barrier Corporation	R
Railguard	26	Eagle Signal Company	R
REACT 350	459	Roadway Safety Service, Incorporated	A
Ritza Glaretamer	291	Julius Koch USA, Incorporated	R
Sentre Guardrail Terminal	392	Energy Absorption Systems, Inc.	W
SP-3	99	Slip-Pruf Service Corporation	R
Spraygrip	180	Prismo Universal Corporation	W
Tex-Tube	141	Tex-Tube Division - Detroit Steel Co.	W
Vehicle Attenuator Terminal	395	Syro Steel Company	W
Welded Beam Guardrail Post	327	Welded Beam Corporation	A

**STABILIZATION**

Calcium Chloride Stabilization	5	Calcium Chloride Institute	R
Coherex	24	Witco Chemical Company	W
Dustmaster	9	Michigan Chemical Corporation	A
Lignin LS-50	423	Prince Manufacturing Company	A
Lignin Sulphonate Road Binder	135	W. F. Macklin and Associates	R
MC Granular Calcium Chloride	136	Michigan Chemical Corporation	R
Paczyme	152	Larutan Corporation	R
Penepime	121	Empire Petroleum Company	R
Pennzsuppress D	458	Pennzoil Products Company	W
Perma-Soil	375	Ditch Witch, Incorporated	R
SA-1	90	Central Chemical Company	R
Sodium Chloride Stabilization	123	Morton Salt Company	R
Terbec C-7	113	Dow Chemical Company	R

**STRUCTURES**

4727 Zinc-Hydrogel Anode	480	Minnesota Mining & Manufacturing	R
Anchor-it	389	Adhesives Technologies Corporation	A
Asbestos-Asphalt Deck Overlay	132	Johns-Manville Products Corporation	R
Asbestos-Asphalt Membrane	186	Johns-Manville Products Corporation	R
Auto-Gard	77	Neogard Corporation (Jones Blair Co.)	R
Bituthene (Heavy Duty)	226	W. R. Grace & Company	A
Butylfelt	238	Storey Brothers & Company, Ltd.	R
Carboline 1304-145	192	Carboline Company	R

<b>A</b> -Accepted	<b>R</b> -Rejected	<b>T</b> -Field test in progress or planned
<b>L</b> -Laboratory test in progress or planned	<b>P</b> -Action pending; more information needed	
<b>W</b> -Referred to potential user without recommendation or withdrawn by vendor		

**INDEX OF PRODUCTS BY CATEGORY**  
**December 13, 2011**

<u>Product Name</u>	<u>Number</u>	<u>Manufacturer</u>	<u>Status</u>
Concrete Arch Buried Bridge	432	Lane Enterprises, Incorporated	W
Cybond	115	American Cyanamid Company	R
Delcrete Elastomeric Concrete	407	D. S. Brown Company	A
Dow Corning 902 RCS	434	Dow Corning Corporation	A
Dylex Latex 1186	285	Tex-Crete, Incorporated	A
Epi-Top 100	160	Celanese Resins	R <sup>2</sup>
EpoXeal 300	194	EpoXeal, Incorporated	R
Fabriform Pile Jackets	225	Construction Techniques, Incorporated	A
Flexcon 2000 Joint System	442	R. J. Watson, Incorporated	R
Flexolith	398	Dural International Corporation	A
Gacoflex N-3S	240	Gates Engineering Company, Inc.	R
Gacoflex UWM-28	241	Gates Engineering Company, Inc.	R
Galvashield	493	Vector Corrosion Technologies	T
Guardkote 140	116	Shell Oil Company	R
Guardkote 250	117	Shell Oil Company	A
Hydro-Ban RVN Membrane	235	Hydro-Ban Corporation	R
Hyload	239	Ruberoid Building Products, Ltd.	R
Jeene	413	Jeene Technology Corporation	A
Melnar-8	265	W. R. Meadows, Incorporated	W
Multi-Ply System No. 1	101	Air Pressure Dampproofing Service, Inc. of Chicago	R
Nexus	138	United States Steel Corporation	R
Nordel Membrane (Reinforced)	215	E. I. duPont deNemours & Co., Inc.	R
Novadeck 750	170	Novagard Corporation	R
Pavetech Bridge Joint System	418	Pavetech BJS, Incorporated	R
Permabit 60	249	Briggs Amasco, Limited	R
Pliopave L-30	173	Goodyear Tire & Rubber Company	R
Polyguard No. 857-G Membrane	214	Polyguard Pipeline Products, Inc.	R
Preformed Paving Sheets	100	Johns-Manville Products Corporation	R
Protecto Wrap M-400 Membrane	213	Protecto Wrap Company	R
Resin Coated Glass Fabric	182	Burlington Glass Fabrics Company	A
Royston Bridge Membrane No. 10	212	Royston Laboratories, Incorporated	R
Rub-R-Road R-526	129	Firestone Tire and Rubber Company	R
Silicoflex	479	R. J. Watson, Incorporated	T
SM-100 (Dow Modifier A)	155	Dow Chemical Company	A
Steelflex SSCM Strip Seal	421	D. S. Brown Company	A
Superseal 4000-HT	242	Superior Products Company, Inc.	A
TechStar W-Seal	457	TechStar, Incorporated	R
Teflon Bridge Bearings	15	DuPont and Company, Incorporated	A
Thiokol 411-M	199	Thiokol Chemical Corporation	R
Tropilon Black	159	Tropical Paint Company	W
Tufchem Membrane	193	Pennwalt Corporation	R
Uniroyal Flexible Membrane 6125	172	Uniroyal, Incorporated	R
Wabo Two Part Silicone	489	Watson Bowman Acme Corporation	A

<sup>2</sup> Rejected for wearing surface. Approved for patching.

<b>A</b> -Accepted	<b>R</b> -Rejected	<b>T</b> -Field test in progress or planned
<b>L</b> -Laboratory test in progress or planned	<b>P</b> -Action pending; more information needed	
<b>W</b> -Referred to potential user without recommendation or withdrawn by vendor		

**INDEX OF PRODUCTS BY CATEGORY**  
December 13, 2011

<u>Product Name</u>	<u>Number</u>	<u>Manufacturer</u>	<u>Status</u>
Sealant			
<b>TRAFFIC</b>			
Adcolite	74	American Decal & Manufacturing Co.	A
Cyclac	188	Borg Warner Corporation	A
Duraform	187	Kaykor Division Continental Oil Co.	R
Duropipe Fiber Vaults	97	Sonoco Products Company	R
Epoflex	301	Southwest Research Institute	R
Epoxy Traffic Paint	65	Preform Parking Engineers, Inc.	R
E. W. 50 Loop Detector	27	Eagle Signal Company	W
Expand X	45	United States Gypsum Company	R
Eze-Erect Sign Post	283	Franklin Steel Company	A
FIMCO	18	General Railway Signal Company	W
FRP Road Signs	339	Owens-Corning Fiberglas Corporation	A
Highway Striping Epoxy Compounds	289	H. B. Fuller Company	A
Hot Tape	425	Pave-Mark Corporation	A
LO-138	21	General Railway Signal Company	W
Lustra-Span	13	Monsanto Company	R
Manhole Protector Ring	500	Work Area Protection Corporation	A
Pavebrite	85	Neville Chemical Company	R
Plastix SD	272	Prismo Universal Corporation	A
Poz-Loc Post and Socket Assembly	384	Southwestern Pipe, Incorporated	A
Resincore	103	Rock Island Corporation	R
Safebrite Reflector	70	Anderson Safeway Guard Rail Corp.	A
Stamark	276	Minnesota Mining & Manufacturing Co.	A
Stamark Detour Grade	322	Minnesota Mining & Manufacturing Co.	A
Superflexon Valve Boxes	111	Plymouth Industrial Products	R
SVDM	20	General Railway Signal Company	W
SVDT-2	19	General Railway Signal Company	W
Temp Ramp	497	E Z Road, Incorporated	A
TIMCO	17	General Railway Signal Company	W
Traffic Signal Cable	35	General Electric Company	A
V-Loc Socket System	342	Foresight Industries, Incorporated	W
<b>MISCELLANEOUS</b>			
Anticorrosive Highway Deicer	402	Cargill, Incorporated	W
Carguard	61	Cargill, Incorporated	R
Dow Propylene Glycol	222	Dow Chemical Company	A
Isolv	208	Kaiser Agricultural Chemicals	W
UCAR	209	Union Carbide Corporation	A
UL-29 Liquid Ice Melter	161	United Laboratories, Incorporated	W

<b>A</b> -Accepted	<b>R</b> -Rejected	<b>T</b> -Field test in progress or planned
<b>L</b> -Laboratory test in progress or planned	<b>P</b> -Action pending; more information needed	
<b>W</b> -Referred to potential user without recommendation or withdrawn by vendor		

D-1

COUNCIL RECOMMENDATION

NO.	PRODUCT NAME MANUFACTURER	DESCRIPTION	EVALUATION IN PROGRESS			EVALUATION COMPLETED		REFERENCE TO STANDARD SPECIFICATIONS
			FIELD TEST	LAB TEST	OTHER	ACCEPT	REJECT	REMARKS
1	Vitrachem Logan Clay Products Logan, Ohio	Unglazed clay pipe				7/28/64		542, 550, 601, 1040.02 In specifications 10/15/64.
2	Ful-Flo Granco Steel Company St. Louis, Missouri	Semicircular steel underdrain pipe					X	Originally accepted 11/4/64, later rejected because of poor field performance.
3	Styrofoam Dow Chemical Company Midland, Michigan	Extruded expanded polystyrene subbase insulation				1/30/70		In specifications by provision 6/11/70.
4	Pave, Pave-Bond Carlisle Chemical Works Reading, Ohio	Asphalt additive (anti-stripping agent)				4/27/64		Maintenance only. Meets existing specification.
5	Calcium Chloride Calcium Chloride Institute Washington, DC	Stabilizing agent (shoulders)					2/9/65	Cost not justified by performance.
6	Corlix Kaiser Aluminum, Inc. Oakland, California	Helically corrugated aluminum culvert				4/27/64		542, 1006.03 In specifications 10/15/64.
7	Poroswall Walker Poroswall Pipe Co. Little Ferry, New Jersey	Porous concrete underdrain pipe					7/28/64	Cost not competitive. Re-evaluated under product proposal No. 394.
8	Cor-Ten Guard Rail United States Steel Corp. Pittsburgh, Pennsylvania	Weathering steel guardrail (alternate to galvanized)					10/9/67	Poor delineation properties.
9	Dustmaster Michigan Chemical Corp. St. Louis, Michigan	Calcium-magnesium chloride solution (stabilizing agent)				5/14/65		"M" specification M 32-65 In specifications 4/15/65.
10	Corlix (Perforated) Kaiser Aluminum, Inc. Oakland, California	Perforated helically corrugated aluminum underdrain pipe				4/27/64		601, 1006.03 In specifications 10/15/64.

**D-2**

**COUNCIL RECOMMENDATION**

NO.	PRODUCT NAME MANUFACTURER	DESCRIPTION	EVALUATION IN PROGRESS			EVALUATION COMPLETED		REFERENCE TO STANDARD SPECIFICATIONS
			FIELD TEST	LAB TEST	OTHER	ACCEPT	REJECT	REMARKS
11	Aluminum Pipe Arch Kaiser Aluminum, Inc. Oakland, California	Aluminum Pipe Arch Culvert				12/13/68		542, 1006 In specifications 1/2/71.
12	Colorcrete W. E. Dunn Manufacturing Holland, Michigan	Colored reflective waterproof stucco mortar					5/14/65	Insufficient durability.
13	Lustra-Span Monsanto Chemical Co. St. Louis, Missouri	Corrugated vinyl plastic for traffic control signs					4/27/64	No requirement.
14	Urethane Expansion Joint Barrett Division Allied Chemical Corp. New York, New York	Foamed polyurethane preformed expansion joint filler					4/27/64	No requirement.
15	Teflon Bridge Bearings E. I. du Pont de Nemours and Company, Inc. Wilmington, Delaware	Teflon sliding surfaces for bridge bearings				5/21/71		Trial installed 7/67, District 7. Lab tested. In special provision 1/1/72.
16	Tri-Kote 26 TK Products, Incorporated Minneapolis, Minnesota	Membrane curing compound				4/27/64		1022 Meets existing specification.
17	TIMCO General Railway Signal Company Rochester, New York	Three input memory counter operator for traffic studies						Referred to Bureau of Traffic 4/27/64.
18	FIMCO General Railway Signal Company Rochester, New York	Four input memory counter operator for traffic studies						Referred to Bureau of Traffic 4/27/64.
19	SVDT-2 General Railway Signal Company Rochester, New York	Ultra-sonic vehicle detector						Referred to Bureau of Traffic 4/27/64.

D-3

COUNCIL RECOMMENDATION

NO.	PRODUCT NAME MANUFACTURER	DESCRIPTION	EVALUATION IN PROGRESS			EVALUATION COMPLETED		REFERENCE TO STANDARD SPECIFICATIONS
			FIELD TEST	LAB TEST	OTHER	ACCEPT	REJECT	REMARKS
20	SVDM General Railway Signal Company Rochester, New York	Sonic moving vehicle detector						Referred to Bureau of Traffic 4/27/64.
21	LO-38 General Railway Signal Company Rochester, New York	Four channel lane occupancy computer						Referred to Bureau of Traffic 4/27/64.
22	Reclamite Witco Chemical Company Hammond, Indiana	Asphalt rejuvenating agent (surface application)					2/28/66	Trial installed 8/65, District 6. Cost not justified by performance.
23	Witcogard Witco Chemical Company Hammond, Indiana <u>also</u> Daugard Daubert Chemical Co. Oak Brook, Illinois	Bituminous adhesive ceramic granule protective coating for guardrail					2/9/68	Trial installed on guardrail 10/64, District 6. Trial installed on bridge fascia beams 11/68, Region 1. Approved for use on guardrails.
24	Coherex Witco Chemical Company Hammond, Indiana	Petroleum resin dust binder			11/4/64			Withdrawn by vendor.
25	Road Logger Lane-Wells Company Houston, Texas	Continuously recording nuclear density and moisture logging unit					2/9/65	Requirement too minor to justify.
26	Rail Guard Eagle Signal Company Davenport, Iowa	Animated advance warning sign for grade crossings					4/27/64	Contrary to Division policy.
27	EW 50 Loop Vehicle Detector Eagle Signal Company Davenport, Iowa	Loop vehicle detector						Referred to Bureau of Traffic 4/27/64.

D-4

COUNCIL RECOMMENDATION

NO.	PRODUCT NAME MANUFACTURER	DESCRIPTION	EVALUATION IN PROGRESS			EVALUATION COMPLETED		REFERENCE TO STANDARD SPECIFICATIONS	REMARKS
			FIELD TEST	LAB TEST	OTHER	ACCEPT	REJECT		
28	MWS Emulsified Asphalt Hot Mix Asphalt Emulsions, Inc. Lawrenceville, Illinois	Emulsified asphalt hot plant mixes				7/23/69		405, 406, 408, 1009 Trial installed 10/64 District 8.	
29	Dow Corning 777 Dow Corning Corporation Midland, Michigan	Durability admixture for concrete					5/14/65	Excessive retardation.	
30	Glare Screen ALCOA Pittsburgh, Pennsylvania	Expanded aluminum mesh glare screen					5/14/65	No requirement. See product proposal no. 162.	
31	Aluminum Guard Rail ALCOA Pittsburgh, Pennsylvania	Aluminum beam guard rail					2/28/66	Insufficient dynamic strength.	
32	Terra-Green Oil Dri Corp. of America Chicago, Illinois	Calcined clay soil conditioner					8/5/77	Trial installed fall 1965, spring 1966, Region 1 and District 7.	
33	Black Beauty H. B. Reed & Company Hammond, Indiana	Wet bottom boiler slag synthetic aggregate				5/14/65		1003, 1004 In specifications 9/3/65. See product proposal no. 55.	
35	Traffic Signal Cable General Electric Company Bridgeport, Connecticut	Polyethylene-coated signal cable				7/28/64		Use by special provision only.	
38	Asbestos Thin Overlay Johns-Manville Products Corporation Manville, New Jersey	Asphalt-asbestos fiber hot mix for thin overlays					8/30/68	No requirement.	
39	Aluminum Culvert (Wide Sheet) Kaiser Aluminum, Inc. Oakland, California	Double width sheet for riveted aluminum pipe				7/28/64		542, 1006 Meets existing specifications.	

D-5

COUNCIL RECOMMENDATION

NO.	PRODUCT NAME MANUFACTURER	DESCRIPTION	EVALUATION IN PROGRESS			EVALUATION COMPLETED		REFERENCE TO STANDARD SPECIFICATIONS	REMARKS
			FIELD TEST	LAB TEST	OTHER	ACCEPT	REJECT		
40	Klean-Kote Orangeburg Manufacturing Company Orangeburg, New York	Perforated bituminized fiber pipe						X	Originally accepted 7/28/64, later rejected because of poor field performance.
41	Concut Bump Cutter Concut, Incorporated El Monte, California	Concrete grinder for the maintenance of rough pavements							353, 420, 503 Referred to Bureau of Maintenance 5/14/65.
42	Sonocure DeSoto Chemical Coatings Des Plaines, Illinois	Membrane curing compound and surface sealer						5/14/65	Cost not justified by performance.
43	Far-Go Vinyl Concrete Patching Compound Dry Mix Concrete Co. Franklin Park, Illinois	Concrete patching compound						5/27/66	Lab tested. Cost not justified by performance.
44	R-1000 Repaver Cutler Engineering Elk Grove Village, Illinois	Heater-planer-paver					1/30/70		Trial installed on MFT project 7/66, Region 1. In special provisions 4/11/70.
45	Expand-X U. S. Gypsum Company Chicago, Illinois	Expanded aluminum temporary signs						2/9/65	Not competitive.
46	Aluminum Sectional Plate Kaiser Aluminum, Inc. Oakland, California	Corrugated aluminum plate drainage structures					7/23/69		541, 1006 Trial installed on MFT project 9/67, District 7.
47	Stanray Inlet Stanray Corporation Chicago, Illinois	Welded grate inlet					5/14/65		604, 1006 Special use only.
48	Ladder Manholes & Bases C. P. Engineering Chicago, Illinois	Precast ladder manholes and bases						8/6/65	Proprietary.

D-6

COUNCIL RECOMMENDATION

NO.	PRODUCT NAME MANUFACTURER	DESCRIPTION	EVALUATION IN PROGRESS			EVALUATION COMPLETED		REFERENCE TO STANDARD SPECIFICATIONS
			FIELD TEST	LAB TEST	OTHER	ACCEPT	REJECT	REMARKS
49	Basic Lead Silico Chromate Eagle Pilcher Company Cincinnati, Ohio	Bridge and guard rail paint (linseed oil and alkyd resin)					X	Lab tested, trial installed 5/63, District 6. Originally accepted 7/23/69, in specifications 2/15/70. No longer allowed because of health risks.
50	Industrial Protective Coating Jessop Steel Company Washington, Pennsylvania	Bridge and guard rail paint (polyvinyl chloride)					5/4/70	Lab tested. Trial installed 10/68, District 6. Cost not justified by performance.
51	Portland Cement Paint Glidden Company Chicago, Illinois	Guard rail paint (tung oil)					4/11/69	Lab tested. Trial installed 10/68, District 6. Cost not justified by performance.
52	Plastiment Sika Chemical Company Passaic, New Jersey	Water reducing admixture			5/14/65			1021 Referred to Bureau of Materials.
53	Soil Retention Blanket American Excelsior Corp. Chicago, Illinois	Temporary mulch and erosion control material				7/7/67		251, 1081 Trials installed 9/64, Districts 2 and 3; 9/65, District 6. In specifications 8/1/68.
54	Eeesy Grow S & D Products, Inc. Prairie du Chien, Wisconsin	Controlled release fertilizer packets					1/30/70	Lab tested. Cost not justified by performance.
55	Boiler Slag Combustion By-Products Company Chicago, Illinois	Wet bottom boiler slag synthetic aggregate					5/14/65	1003, 1004 In specifications 9/3/65. See product proposal no. 33.
56	Synopal Union Contracting & Engineering Company Chicago, Illinois	Light reflecting, skid-resistant synthetic aggregate					4/6/73	Trials installed 8/65, Districts 3 and 6; 11/69, Region 1. Limited availability. Cost not justified by performance.
57	Speed Crete Concrete Maintenance Products, Incorporated Crystal Lake, Illinois	Fast-setting concrete patching compound					5/14/65	Lab tested. Insufficient durability. See product proposal no. 126.

D-7

COUNCIL RECOMMENDATION

NO.	PRODUCT NAME MANUFACTURER	DESCRIPTION	EVALUATION IN PROGRESS			EVALUATION COMPLETED		REFERENCE TO STANDARD SPECIFICATIONS	REMARKS
			FIELD TEST	LAB TEST	OTHER	ACCEPT	REJECT		
58	Stainless Hel-Cor Armco Steel Corporation Middletown, Ohio	Stainless steel helically corrugated culvert pipe.					5/14/65	Not in production.	
59	Ramflex U. S. Rubber Reclaiming Company, Incorporated Buffalo, New York	Powdered rubber additive for asphalt hot mixes					3/31/78	Trials installed 8/66, 8/67, 10/68, and 10/71, Region 1.	
60	Rhoplex MC-4530 Rohm and Haas Company Philadelphia, Pennsylvania	Strength and durability admixture for concrete			12/12/66			Lab tested. Withdrawn by vendor.	
61	Carguard Cargill, Incorporated Minneapolis, Minnesota	Rust inhibiting additive for deicing					2/9/68	Lab tested. Cost not justified by performance.	
62	Load Transfer Device Acme Highway Products Buffalo, New York	Cast iron load transfer device for pavement joints					8/6/65	No requirements.	
63	Acroflex Gordon Bartels Company Rockford, Illinois	Strength and durability admixture for concrete			12/12/66			Lab tested. Withdrawn by vendor.	
64	Bitumuls Chevron Asphalt Company St. Louis, Missouri	Cationic emulsified asphalts					4/5/74	1009	
65	Epoxy Traffic Paint Preform Parking Engineers Chicago, Illinois	Traffic striping paint					12/13/68	Field trial 5/64, Region 1. Cost not justified by performance.	
66	Bondex Concrete Patch Reardon Company Olivette, Missouri	Concrete patching compound					5/27/66	Lab tested. Cost not justified by performance.	

D-8

COUNCIL RECOMMENDATION

NO.	PRODUCT NAME MANUFACTURER	DESCRIPTION	EVALUATION IN PROGRESS			EVALUATION COMPLETED		REFERENCE TO STANDARD SPECIFICATIONS	REMARKS
			FIELD TEST	LAB TEST	OTHER	ACCEPT	REJECT		
67	PE-50 Steelcote Manufacturing Company St. Louis, Missouri	Penetrating epoxy concrete surface sealer for bridge decks					7/23/69	Lab tested. Trial installed 9/68, District 6. Cost not justified by performance. Initially approved as bridge seat sealer on Bridge Special Provision BSP-1, 7/1/71. Not included on latest list of approved bridge seat sealers.	
68	Cline Rolling Straightedge Frank Cline Tractor Co. Arcadia, Florida	Pavement surface trueness tester					11/19/65	No requirement.	
69	Homex Homasote Company Trenton, New Jersey	Preformed expansion joint filler					5/28/68	Lab tested. Does not meet AASHTO or ASTM specifications.	
70	Safebrite Reflector Anderson Safeway Guard Rail Corporation Evansville, Indiana	Guard rail mounted reflector					11/19/65		
71	Transite Underdrain Pipe Johns-Manville Products Corporation New York, New York	Perforated asbestos cement underdrain pipe					X	Originally accepted 11/19/65 and in specifications 5/1/66. No longer permitted.	
72	Duopipe Sectional Slope Drain Sonoco Products Co. Hartsville, South Carolina	Bituminized fiber ditch liner					X	Originally accepted 11/19/65. No longer permitted.	
73	Presstite No. 357.5 Interchemical Corporation St. Louis, Missouri	Hot-poured rubber asphalt joint sealing compound					7/14/72	1050.02 Trials installed 10/65, Region 1 and District 6.	
74	Adcolite American Decal & Mfg. Co. Chicago, Illinois	Reflective sign sheeting					8/28/73	Temporary signs only.	
75	Pavajuster Neenah Foundry Company Neenah, Wisconsin	Manhole adjusting ring					2/28/66	603.08	

**D-9**

**COUNCIL RECOMMENDATION**

NO.	PRODUCT NAME MANUFACTURER	DESCRIPTION	EVALUATION IN PROGRESS			EVALUATION COMPLETED		REFERENCE TO STANDARD SPECIFICATIONS	REMARKS
			FIELD TEST	LAB TEST	OTHER	ACCEPT	REJECT		
76	Adjus-to-Grade National Utility Products Company Cleveland, Ohio	Manhole adjusting ring					2/28/66	603.08	
77	Auto-Gard Neogard Corporation (Jones Blair Company) Dallas, Texas	Fiber glass reinforced elastomeric membrane					2/28/66		Cost not justified by performance.
78	Gering Sewer/Drain Pipe Gering Plastics Company Kenilworth, New Jersey	Perforated plastic underdrain pipe					7/7/67		Lab tested. Insufficient strength.
79	Pro-Seal 968 Coast Pro-Seal & Mfg. Co. Los Angeles, California	Polysulfide joint sealing compound					7/14/62		Lab tested. No requirement.
80	Tri-Kote 18 T. K. Products, Inc. Minneapolis, Minnesota	Chlorinated rubber epoxy membrane curing compound and concrete sealer					5/27/66		Not competitive.
81	Koppers Concrete Sealer Koppers Company, Inc. Pittsburgh, Pennsylvania	Tar based concrete sealer					5/27/66		Not competitive.
82	Confilm Master Builders, Inc. Cleveland, Ohio	Evaporation retardant for fresh concrete					2/9/68		Lab tested.
83	TM-700 Tree Mover Vermeer Manufacturing Company Pella, Iowa	Mechanical tree transplanter				5/27/66			Referred to Bureau of Maintenance.
84	Concrete Planer Christensen Diamond Products Company Salt Lake City, Utah	Planer for smoothing and texturing pavement surfaces					10/9/67		Cost not justified by performance.

**D-10**

**COUNCIL RECOMMENDATION**

NO.	PRODUCT NAME MANUFACTURER	DESCRIPTION	EVALUATION IN PROGRESS			EVALUATION COMPLETED		REFERENCE TO STANDARD SPECIFICATIONS
			FIELD TEST	LAB TEST	OTHER	ACCEPT	REJECT	REMARKS
85	Pavebrite Neville Chemical Company Pittsburgh, Pennsylvania	Pigment and synthetic resin binder system for colored pavements					8/30/68	Cost not justified by performance.
86	CDC Plastic Concrete Concrete Development Corporation San Antonio, Texas	Polyester resin concrete for bridge deck patches and overlays			10/9/67			Withdrawn by vendor.
87	ChemComp Medusa Portland Cement Company Cleveland, Ohio	Shrinkage compensating cement for pavements and bridges			X			Withdrawn. Refer to Cooperative Research Study "Shrinkage Compensating Concrete in Bridge Decks".
88	Aluminum Storm Sewer Kaiser Aluminum, Inc. Oakland, California	Aluminum pipe products for use in storm sewers				X		550, 1006 Originally rejected 7/23/69, later accepted based on new information.
89	Steel Furnace Slag Illinois Slag & Ballast Co. Chicago, Illinois	Open hearth furnace slag for base courses and bituminous mixes					4/3/81	1003, 1004 Approved for Class I bituminous mixes only.
90	SA-1 Central Chemical Co. Fresno, California	Soil stabilization chemical for use in base stabilization and reconstruction of bituminous pavements					12/13/68	Trial installed on MFT project, 8/66, District 6. Cost not justified by performance.
91	Rub-R-Road R-504 Firestone Tire & Rubber Company Akron, Ohio	Synthetic rubber latex additive for asphalt hot mixes					4/6/73	Trial installed 5/67, District 6; 9/69, Region 1. Approved for thin sand mix overlays.

**D-11**

**COUNCIL RECOMMENDATION**

NO.	PRODUCT NAME MANUFACTURER	DESCRIPTION	EVALUATION IN PROGRESS			EVALUATION COMPLETED		REFERENCE TO STANDARD SPECIFICATIONS	REMARKS
			FIELD TEST	LAB TEST	OTHER	ACCEPT	REJECT		
92	Sealtight WP-45 W. R. Meadows, Inc. Elgin, Illinois	Membrane curing compound for use on concrete to be treated with linseed oil					9/11/70	1022 Lab tested.	
93	Welded Culvert Pipe Young Metal Products, Inc. Granite City, Illinois	Galvanized corrugated steel pipe with resistance welded seams for culverts					12/12/66	542, 600, 1006.01 In specifications 2/1/67.	
94	No. 2341-Z Para Plastic (Super) Dewey & Almy Division W. R. Grace Company Chicago, Illinois	Hot-poured rubber asphalt joint sealing compound					7/14/72	1050.02 Trial installed 11/66, Region 1.	
95	Lion Colay Asphalt Monsanto Company El Dorado, Arkansas	Non-solvent asphalt for stockpile maintenance mixes						7/7/67	Lab tested.
96	Fly Ash Chicago Fly Ash Company Chicago, Illinois	Mineral filler					X	1010.04 Originally rejected 12/12/66, later accepted for mineral filler.	
97	Duopipe Fiber Vaults Sonoco Products Co. Hartsville, South Carolina	Bituminized fiber vaults and pull boxes						X	Originally accepted 12/12/66 and used by special provision. Use discontinued due to lack of cost benefit versus concrete.
98	N. U. Boiled Linseed Oil Emulsion Agricultural Research Service - U.S.D.A. Peoria, Illinois	Combination curing compound and sealer						12/12/66	Insufficient water retention. Trial installed 11/66, District 5.
99	SP-3 Slip-Pruf Service Corp. Baton Rouge, Louisiana	Spray on skid-proofing material						8/30/68	Cost not justified by performance.

**D-12**

**COUNCIL RECOMMENDATION**

NO.	PRODUCT NAME MANUFACTURER	DESCRIPTION	EVALUATION IN PROGRESS			EVALUATION COMPLETED		REFERENCE TO STANDARD SPECIFICATIONS
			FIELD TEST	LAB TEST	OTHER	ACCEPT	REJECT	REMARKS
100	Preformed Paving Sheets Johns-Manville Products Corporation Manville, New Jersey	Preformed asphalt-asbestos sheets for waterproofing bridge decks					X	Trial installed 6/68, Region 1. Originally accepted 5/4/70, later rejected because of health concerns.
101	Multi-Ply System No. 1 Air Pressure Dampproofing Service, Inc. of Chicago Chicago, Illinois	Sprayed on glass fiber emulsified asphalt system for bridge decks					8/30/68	Trial installed 6/68, Region 1. Excessively long cure time.
102	All-Weather Crete HI-45 Silbrico Corporation Hodgkins, Illinois	Hot mix asphalt-perlite insulating mix					4/26/76	Trial installed 10/70, Region 1 (subbase).
103	Resincore Rock Island Corporation Marinette, Wisconsin	Wood chip-phenolic resin particle board for traffic control sign substrates					12/13/68	Lab tested.
104	Quick-Set Camp Company, Inc. Chicago, Illinois	Fast setting concrete patching compound					10/9/67	Lab tested. Insufficient durability.
105	Hydro-Plug Camp Company, Inc. Chicago, Illinois	Flash setting non-shrink grout for setting anchor bolts			X			Lab tested. Originally accepted 2/9/68. Not on the department's latest list of non-shrink grouts.
106	Far-Go Swift-Set Dry Mix Concrete Co. Chicago, Illinois	Fast setting concrete patching material					2/9/68	Lab tested. Insufficient durability.
107	Farbertite Briggs Bituminous Composition Company Philadelphia, Pennsylvania	Coal tar protective coating for use with aluminum surface coats					1/30/70	No requirement.
108	Urox Barrett Division Allied Chemical Corp. Melrose Park, Illinois	Chemical soil sterilant for use with asphalt or tar					12/13/68	Trial installed 9/67, Region 1.

**D-13**

**COUNCIL RECOMMENDATION**

NO.	PRODUCT NAME MANUFACTURER	DESCRIPTION	EVALUATION IN PROGRESS			EVALUATION COMPLETED		REFERENCE TO STANDARD SPECIFICATIONS	REMARKS
			FIELD TEST	LAB TEST	OTHER	ACCEPT	REJECT		
109	Sika Set Sika Chemical Corporation Passaic, New Jersey	Accelerating admixture					5/4/70	Lab tested. Cost not justified by performance.	
110	Mulseal Emulsified Asphalts, Inc. Chicago, Illinois	Emulsified asphalt for waterproofing structures below grade				1/29/71		1060 Emulsified Asphalts, Inc. was purchased by Koch Materials.	
111	Superflexon Valve Boxes Plymouth Industrial Products Sheboygan, Wisconsin	Asbestos reinforced plastic valve, curb service, and meter boxes					2/25/72	Trial installed 8/71, District 6. Insufficient size and lid strength.	
112	Rubber Calk 3105 Products Research and Chemical Corporation Burbank, California	Two-component polyurethane sealant for bridge and pavement joints					12/19/75	Trials installed 7/66, 11/73, District 6.	
113	Terbec C-7 Dow Chemical Company Midland, Michigan	Soil stabilization chemical for use in base construction utilizing in-place materials					7/7/67	Product development not completed.	
114	Gilsabind Gilsabind Corporation Santa Fe Springs, California	Cut-back gilsonite asphalt for sealing asphalt pavements					12/13/68	Trials installed 7/67, 9/67, Region 1. Cost not justified by performance.	
115	Cybond American Cyanamid Co. Wallingford, Connecticut	Polyester resin for wearing surfaces and interlayer membranes					8/30/68	Trial installed 10/67, Region 1. Requires excessively strict control of application conditions and procedures.	
116	Guardkote 140 Shell Oil Company New York, New York	Coal tar extended epoxy resin for wearing surfaces and interlayer membranes					7/7/67	Unsatisfactory in earlier experimental performance installations.	

**D-14**

**COUNCIL RECOMMENDATION**

NO.	PRODUCT NAME MANUFACTURER	DESCRIPTION	EVALUATION IN PROGRESS			EVALUATION COMPLETED		REFERENCE TO STANDARD SPECIFICATIONS
			FIELD TEST	LAB TEST	OTHER	ACCEPT	REJECT	REMARKS
117	Guardkote 250 Shell Oil Company New York, New York	Oil extended epoxy resin for wearing surfaces and mortar mixes for patching				9/30/71		Evaluate for mortar mix only. Reject for wearing surfaces. Trial installed 9/70, Region 1. Approved for shallow patches.
118	Placewell R Union Carbide Corporation New York, New York	Water reducing admixture			10/9/67			1021 Referred to the Bureau of Materials.
119	Daraweld C Dewey and Almy Division W. R. Grace and Company Chicago, Illinois	Bonding agent for concrete					4/11/69	Lab tested. Cost not justified by performance.
120	Colma Membrane Compound Sika Chemical Corporation Passaic, New Jersey	Membrane curing compound and surface sealer					10/9/67	No requirement.
121	Penepriime Empire Petroleum Co. Sheboygan, Wisconsin	Deep penetrating cut-back asphalt for soil stabilization and sealing asphalt pavements					12/13/68	Trial installed (stabilization) 8/67, District 7. Cost not justified by performance.
122	Slurry Seal International Slurry Seal Association Omaha, Nebraska	Aggregate emulsified asphalt surface treatment					10/9/67	Previously field tested. Cost not justified by performance. See product proposal no. 167.
123	Sodium Chloride Stabilization Morton Salt Company Hamilton, Ohio	Stabilizing agent for shoulders and bases on primary roads					10/9/67	Rejected for primary roads. Approved for secondary roads.
124	Osrose K-33 Osrose Wood Preserving Company of America, Inc. Buffalo, New York	Water-borne wood preservative				10/9/67		1007 Sign posts only. "M" specification M 16-95.

**D-15**

**COUNCIL RECOMMENDATION**

NO.	PRODUCT NAME MANUFACTURER	DESCRIPTION	EVALUATION IN PROGRESS			EVALUATION COMPLETED		REFERENCE TO STANDARD SPECIFICATIONS
			FIELD TEST	LAB TEST	OTHER	ACCEPT	REJECT	REMARKS
125	Transite Storm Sewer Johns-Manville Products Corporation New York, New York	Asbestos cement pipe storm sewers					X	Originally approved 10/9/67 and incorporated in specifications 3/15/68. Later rejected because of health concerns.
126	Speed Crete Tamms Industries, Inc. Itasca, Illinois	Fast setting concrete patching compound				2/9/68		Lab tested. First submitted under product proposal no. 57.
127	Pozzolith 100-XR Master Builders, Inc. Cleveland, Ohio	Water reducing, retarding admixture			2/9/68			Referred to Bureau of Materials.
128	Rhoplex E-330 Rohm and Haas Company Philadelphia, Pennsylvania	Strength and durability admixture for concrete					1/29/71	Cost not justified by performance.
129	Rub-R-Road R-526 Firestone Tire and Rubber Company Akron, Ohio	Liquid applied rubber interlayer membrane					5/16/75	Lab tested. Trial installed 6/72, Region 1.
130	Colfix Jet Seal Chevron Asphalt Company Cincinnati, Ohio	Coal tar emulsion					2/9/68	Does not meet Illinois specifications.
131	XR-6-5046 Dow Corning Corporation Midland, Michigan	Silicone modified membrane curing compound					5/28/68	Excessive retardation.
132	Asbestos Bridge Deck Overlay Johns-Manville Products Corporation Manville, New Jersey	Asphalt-rich asbestos asphalt hot mix for bridge deck overlays					12/19/72	Trial installed 6/72, Region 1.
133	Pressure Relief Joint W. R. Meadows, Inc. Elgin, Illinois	Poured in place urethane foam expansion joint filler					5/28/68	Limited to warm weather use.

**D-16**

**COUNCIL RECOMMENDATION**

NO.	PRODUCT NAME MANUFACTURER	DESCRIPTION	EVALUATION IN PROGRESS			EVALUATION COMPLETED		REFERENCE TO STANDARD SPECIFICATIONS	REMARKS
			FIELD TEST	LAB TEST	OTHER	ACCEPT	REJECT		
134	Bridge Kote, No. 50 Templar, Incorporated South River, New Jersey	Latex mortar architectural coating for concrete					5/28/68	No requirement.	
135	Lignin Sulphonate Road Binder W. F. Macklin & Assoc. New Brighton, Minnesota	Spent sulfite liquor stabilizing agent					5/28/68	Cost not justified by performance.	
136	MC Granular Calcium Chloride Michigan Chemical Corp. St. Louis, Michigan	90-93 percent granular calcium chloride					8/30/68	Competitiveness not demonstrated.	
137	Plastic-Coated Dowel Bars Republic Steel Corporation Cleveland, Ohio	Polyethylene plastic-coated carbon steel load transfer dowel bars					X	Originally accepted 8/30/68. In specifications 3/15/69. Use later discontinued in favor of epoxy-coated dowel bars.	
138	Nexus United States Steel Corporation Pittsburgh, Pennsylvania	Coal tar modified synthetic resin thermoplastic interlayer membrane					10/23/69	Trial installed 11/68, District 6.	
139	Express Repair Springbok Corporation Crystal Lake, Illinois	Fast setting concrete patching compound			X			Lab tested. Originally accepted 4/11/69. Not on the department's latest list of approved rapid hardening mortars.	
140	Gripstop Highway Safety Materials, Inc. Brownsville, Kentucky	Modified Kentucky rock asphalt for skid resistant hot mix overlays			4/26/76			Trials installed 10/68, 8/70, Region 1. Withdrawn by vendor.	
141	Tex-Tube Tex-Tube Division Detroit Steel Company Houston, Texas	Elliptical steel barrier rail for medians and bridges			12/13/68			509, 630, 1006 Referred to Bureau of Design	

**D-17**

**COUNCIL RECOMMENDATION**

NO.	PRODUCT NAME MANUFACTURER	DESCRIPTION	EVALUATION IN PROGRESS			EVALUATION COMPLETED		REFERENCE TO STANDARD SPECIFICATIONS
			FIELD TEST	LAB TEST	OTHER	ACCEPT	REJECT	REMARKS
142	Ethafoam Dow Chemical Company Midland, Michigan	Polyethylene foam preformed expansion joint filler				12/13/68		1051.08 Temporarily rejected starting 8/9/85, later reinstated.
143	Pigmented Pitt-LOC PPG Industries Minneapolis, Minnesota	Pigmented linseed oil-petroleum spirit protective coat					10/23/69	Trial installed 10/68, Region 1. Cost not justified by performance.
144	Linseed Oil Anti-Spalling Emulsion Sherwin-Williams Co. Cleveland, Ohio	Linseed oil emulsion protective coating for portland cement concrete					5/21/71	Lab tested. Cost not justified by performance.
145	Tapisable L&B/AJB, Incorporated Springfield, Illinois	Asphalt hot mix for thin overlays				7/14/72		Trial installed on MFT project 11/70, Region 1.
146	Lion Nokorode Al-Kote Monsanto Company El Dorado, Arkansas	Aluminum pigmented asphalt base protective coating				1/29/71		Trial installed 8/68, Region 1. Special Provision written based on Federal Specification TT-C-001079a.
147	Lion Nokorode Seal Kote Monsanto Company El Dorado, Arkansas	Black asphalt base protective coating				1/29/71		Trial installed 8/68, Region 1.
148	Tri-Dar 33 Darling and Company Chicago, Illinois	Linseed oil based membrane curing compound					1/30/70	Insufficient moisture retention.
149	Flo-Mix U. S. Rubber Reclaiming Company Buffalo, New York	Rubber additive for hot pour asphalt fillers			5/4/70			Trial installed 4/69, Region 1. Referred to Bureau of Maintenance.
150	Traffix Pace Products, Inc. Kansas City, Missouri	Asphalt based pavement patching compound			9/11/70			Trial installed 12/69, Region 1. Referred to Bureau of Maintenance.

**D-18**

**COUNCIL RECOMMENDATION**

NO.	PRODUCT NAME MANUFACTURER	DESCRIPTION	EVALUATION IN PROGRESS			EVALUATION COMPLETED		REFERENCE TO STANDARD SPECIFICATIONS
			FIELD TEST	LAB TEST	OTHER	ACCEPT	REJECT	REMARKS
151	Fast-Set Pre-Krete Pocono Fabricators, Inc. East Stroudsburg, PA	Fast setting concrete patching compound			X			Lab tested. Originally accepted 5/21/71. Not on the department's latest list of approved rapid hardening mortars.
152	Paczyme Larutan Corporation Anaheim, California	Enzymatic soil compaction aid					7/23/69	Trial installed 6/69, District 5.
153	Chemgrass Monsanto Chemical Co. St. Louis, Missouri	Polyethylene synthetic turf					3/11/77	Trials installed 12/71, Region 1; 6/76, District 6.
154	Chemprime Al-Con Chemical Company New Orleans, Louisiana	Rust inhibiting cleaner and primer for steel					5/21/71	Toxic. Requires special handling.
155	SM-100 (Dow Modifier A) Dow Chemical Company Midland, Michigan	Latex emulsion additive for concrete patches and overlays					3/31/78	Trials installed 10/69, 11/69, District 2.
156	Barrier National Chemical Corp. West Newton, MA	Penetrating polyester concrete surface sealer					7/23/69	Cost not justified by performance.
157	Urecal Urecal Corporation Elk Grove Village, Illinois	Urethane based protective coating for metal and concrete					5/21/71	Trial installed 8/69, District 5. Excessive drying time.
158	Permafused Anchor Post Products, Inc. Baltimore, Maryland	Bonded vinyl coated chain link fence fabric					7/23/69	664, 1006.27 In specifications 4/1/70.
159	Tropilon Black Tropical Paint Company Cleveland, Ohio	Elastomeric coating for bridge seats and pier caps			12/7/72			Withdrawn by vendor.
160	Epi-Top 100 Celanese Resins Louisville, Kentucky	Epoxy binder for epoxy mortar bridge overlays					10/23/69	Trial installed 7/68, Region 1. Excessive permeability. Approved for patching.

**D-19**

**COUNCIL RECOMMENDATION**

NO.	PRODUCT NAME MANUFACTURER	DESCRIPTION	EVALUATION IN PROGRESS			EVALUATION COMPLETED		REFERENCE TO STANDARD SPECIFICATIONS
			FIELD TEST	LAB TEST	OTHER	ACCEPT	REJECT	REMARKS
161	UL-29 Liquid Ice Melter United Laboratories, Inc. Bensenville, Illinois	Additive to increase the efficiency of deicing salt			9/30/71			Field tested District 4. Referred to Bureau of Local Roads and Streets.
162	Glare Screen Wheeling Corrugating Co. Wheeling, West Virginia	Modular glare screen system using enameled expanded galvanized mesh					X	Trials installed 8-70, District 4; 2/71, District 2; 7/71, District 6. Originally accepted 9/30/71, no longer in specifications due to poor durability.
163	Poly Vinyl Steel Wheeling Service and Supply, Incorporated Arlington Heights, Illinois	Baked on polyvinyl chloride coating for guardrail and steel posts					1/29/71	Trial installed 10/69, Region 1. Cost not justified by performance.
164	Unelko Water Repellent Unelko Corporation Chicago, Illinois	Single component hydrophobic penetrating concrete surface sealer					5/21/71	Lab tested. Cost not justified by performance.
165	Alumanation No. 301 Republic Powdered Metals Medina, Ohio	Aluminum pigmented asphalt base protective coating					1/29/71	Special provision written based on Federal Specification TT-C-001079a.
166	Aquatain Larutan Corporation Anaheim, California	Pectin based soil stabilizer for erosion control					10/23/69	Trial installed 5/69, District 7.
167	Slurry Seal International Slurry Seal Association Omaha, Nebraska	Aggregate-emulsified asphalt surface treatment					4/6/73	Resubmitted under product proposal no. 122. Trial installed 11/70, Region 1. Approved for local roads up to 750 ADT.
168	TCA Bridge-Cote Textured Coatings of America, Incorporated Los Angeles, California	Synthetic elastomer polyester resin base architectural coating for concrete					5/16/75	Trial installed 10/73, Region 1.
169	Pioneer 507 Daubert Chemical Co. Oak Brook, Illinois	Aluminum pigmented asphalt base protective coating					1/29/71	Special provision written based on Federal Specification TT-C-001079a.

**D-20**

**COUNCIL RECOMMENDATION**

NO.	PRODUCT NAME MANUFACTURER	DESCRIPTION	EVALUATION IN PROGRESS			EVALUATION COMPLETED		REFERENCE TO STANDARD SPECIFICATIONS
			FIELD TEST	LAB TEST	OTHER	ACCEPT	REJECT	REMARKS
170	Novadeck 750 Novagard Corporation Trenton, New Jersey	Two component polysulfide coal tar interlayer membrane					7/14/72	Lab tested.
171	Carbo Zinc 11 Carboline Company St. Louis, Missouri	Inorganic zinc coating for steel				X		1008.22 Trials installed 4/72, District 5; 4/73, District 8; 9/74, District 1. Originally rejected 12/1/78, later accepted by Bureau of Bridges and Structures.
172	Uniroyal Flexible Membrane 6125 Uniroyal, Incorporated Mishawauka, Indiana	Hot poured rubberized asphalt interlayer membrane					8/28/73	Trial installed 11/71, District 6. Unstable at paving temperature.
173	Pliopave L-30 Goodyear Tire and Rubber Company Akron, Ohio	Liquid applied rubber interlayer membrane					5/16/75	Trial installed 6/72, District 6.
174	Pliopave L-170 Goodyear Tire and Rubber Company Akron, Ohio	Synthetic rubber latex additive for asphalt hot mixes					4/6/73	Trial installed 10/71, Region 1. Approved for thin sand mix overlays.
175	Materialite Materials Service Corp. (formerly Marblehead Lime Company) Chicago, Illinois	Expanded shale lightweight synthetic aggregate for skid resistant overlays			X			Trials installed 7/75, District 1; 7/75 District 8. Accepted 12/19/75. Product discontinued by manufacturer in 1977.
176	Tufchem Pennwalt Corporation Philadelphia, Pennsylvania	Thermosetting resin additive for concrete patches and overlays					9/30/71	Cost not justified by performance.
177	Linseed Oil Curing Compound National Flaxseed Processors Association Chicago, Illinois	Water soluble linseed oil based membrane curing compound					9/30/71	Trial installed 10/69, District 6. Lab tested. Insufficient moisture retention.

**D-21**

**COUNCIL RECOMMENDATION**

NO.	PRODUCT NAME MANUFACTURER	DESCRIPTION	EVALUATION IN PROGRESS			EVALUATION COMPLETED		REFERENCE TO STANDARD SPECIFICATIONS
			FIELD TEST	LAB TEST	OTHER	ACCEPT	REJECT	REMARKS
178	Sylvatal 40 Glidden-Durkee Jacksonville, Florida	Distilled tall oil mineral spirit protective coating for concrete				1/29/71		Trial installed 10/70, District 5.
179	Lakelite United States Steel Corp. Chicago, Illinois	Expanded clay lightweight aggregate for skid resistant overlays			7/26/74			Withdrawn by vendor.
180	Spraygrip Prismo Universal Corp. Huntington, Pennsylvania	Epoxy-calcined bauxite skid resistant surface treatment			X			Withdrawn by vendor. Refer to state research study "Skid Resistance of Pavement Surfaces" 7/14/72.
181	Cold Mix BAM Walsh and Kelly, Inc. Griffith, Indiana	Asphalt-emulsion cold mix for bases and shoulders			X			Withdrawn by vendor. Refer to cooperative research study "Structural Evaluation of Asphalt-Aggregate Cold Mix Bases" 4/6/73.
182	Resin Coated Glass Fabric Burlington Glass Fabrics Company New York, New York	Resin coated fiber glass fabric				9/11/70		In special provisions 7/1/71.
183	Poly-Tite Sandell Manufacturing Co. Cambridge, Massachusetts	Polyurethane foam preformed joint sealer					7/31/76	
184	Truss Pipe Armco Corporation Springfield, Illinois	ABS composite pipe for storm sewers					X	Originally accepted 5/21/71. Eliminated from standard specifications by 2/1/96 supplemental specification.
185	Flextran Johns-Manville Products Corporation Manville, New Jersey	Fiber glass reinforced polyester resin pipe for storm sewers					12/12/77	Trial installed 11/71, District 8. Excessive deflection.

**D-22**

**COUNCIL RECOMMENDATION**

NO.	PRODUCT NAME MANUFACTURER	DESCRIPTION	EVALUATION IN PROGRESS			EVALUATION COMPLETED		REFERENCE TO STANDARD SPECIFICATIONS	
			FIELD TEST	LAB TEST	OTHER	ACCEPT	REJECT	REMARKS	
186	Asbestos-Asphalt Membrane Johns-Manville Products Corporation Manville, New Jersey	Hot mix membrane course for waterproofing bridge decks						X	Originally accepted 7/26/74 and added to specifications. Later rejected due to blistering.
187	Duraform Kaykor Division, Continental Oil Company Fairless Hills, PA	Asbestos reinforced polyvinyl chloride sign substrates						9/30/71	Insufficient impact resistance.
188	Cycolac Safety Guide Products Department Borg Warner Corporation Scottsburg, Indiana	ABS plastic sign substrates					4/6/73		Trials installed 6/71, Districts 1, 3, 5, and 6. Approved subject to size and thickness limits established by the Bureau of Traffic.
189	Laykold Heavy Duty Resurfacer Chevron Asphalt Company Cincinnati, Ohio	Emulsified asphalt cold mix for very thin overlays					3/11/77		Trials installed 10/70 and 9/73, District 6 on steel grid bridge decks.
190	Petroset AT Phillips Petroleum Co. Bartlesville, Oklahoma	Synthetic rubber emulsion for rubberizing asphalt pavements in-place						5/16/75	Trial installed 10/71, District 6 (BAM shoulders). Cost not justified by performance.
191	PetroMat Phillips Petroleum Co. Bartlesville, Oklahoma	Nonwoven polypropylene fabric for asphalt membranes and overlays						7/25/80	Lab tested. Accepted for reflective crack control.
192	Carboline 1304-145 Carboline Company St. Louis, Missouri	Coal tar polyurethane interlayer membrane						7/14/72	Lab tested. Trial installed 5/72, District 6.
193	Tufchem Membrane Pennwalt Corporation Philadelphia, Pennsylvania	Asphalt urethane interlayer membrane						1/29/71	Not competitive.

**D-23**

**COUNCIL RECOMMENDATION**

NO.	PRODUCT NAME MANUFACTURER	DESCRIPTION	EVALUATION IN PROGRESS			EVALUATION COMPLETED		REFERENCE TO STANDARD SPECIFICATIONS
			FIELD TEST	LAB TEST	OTHER	ACCEPT	REJECT	REMARKS
194	EpoXeal 300 EpoXeal, Incorporated Gulfport, Mississippi	Asphalt extended epoxy interlayer membrane					8/28/73	Lab tested. Trial installed 9/71, District 6.
195	Homex 300 Homasote Company Trenton, New Jersey	Wood fiber preformed expansion joint				5/21/71		1051.04, ASTM D 1751, AASHTO M 213 with bituminous content requirement waived. In specifications 9/15/71.
196	Crown-Rite Crown-Trygg Corporation Joliet, Illinois	Coal tar stockpile patching mix				5/21/71		In specifications 9/1/71.
197	Garylite United States Steel Corporation Gary, Indiana	Expanded blast furnace slag lightweight aggregate for skid resistant overlays			12/4/81			1003, 1004 Trial installed 10/71, Region 1. Withdrawn by vendor. No longer available.
198	Haydite Westen Brick Company Danville, Illinois	Expanded shale lightweight aggregate for skid resistant overlays					12/4/81	Not cost competitive.
199	Thiokol 411-M Thiokol Chemical Corp. Trenton, New Jersey	Coal tar polysulfide interlayer membrane					7/14/72	Lab tested.
200	Creto Creto International Glen Ellyn, Illinois	Sodium silicate concrete surface sealer					12/7/72	Durability not demonstrated.
201	Cretex PVC Pipe Cretex Companies, Inc. Minneapolis, Minnesota	Polyvinyl chloride pipe for underdrains and storm sewers					9/30/71	
202	Duracal United States Gypsum Co. St. Louis, Missouri	Gypsum cement for fast setting concrete patching mixes					3/31/78	Trial installed 6/72, District 3. Lab tested.

**D-24**

**COUNCIL RECOMMENDATION**

NO.	PRODUCT NAME MANUFACTURER	DESCRIPTION	EVALUATION IN PROGRESS			EVALUATION COMPLETED		REFERENCE TO STANDARD SPECIFICATIONS
			FIELD TEST	LAB TEST	OTHER	ACCEPT	REJECT	REMARKS
203	Mari-Crete Atlas Minerals and Chemicals Div., ESB, Inc. Mertztown, Pennsylvania	Fast setting concrete patching compound					9/30/71	Working time too short for general highway use.
204	Hydron 100 National Patent Development Corporation New York, New York	Acrylic polymer concrete surface sealer					2/25/72	Also known as FX-15 Hydron Concrete Polymer. Lab tested. Cost not justified by performance.
205	Anti-Hydro Anti-Hydro Waterproofing Company Newark, New Jersey	Waterproofing, curing, and accelerating admixture					8/28/73	Trial installed 6/71, District 6.
206	P-7 Paint Hammond Lead Products, Incorporated Hammond, Indiana	Tribasic lead phosphosilicate paints for structures and guardrail					12/19/75	Trial installed 5/74, District 5.
207	Dimetcote E-Z Ameron Corrosion Control Division Brea, California	Single package zinc filled inorganic coating for steel					7/31/76	Trial installed 9/74, District 1.
208	Isolv Kaiser Agricultural Chemicals (Division of Kaiser Aluminum and Chemical Corporation) Savannah, Georgia	Urea-formamide based liquid deicer			9/26/75			Field tested Districts 2, 3, and 7. Withdrawn by vendor.
209	UCAR Union Carbide Corporation Chicago, Illinois	Ethylene glycol based liquid deicer					9/26/75	Field tested Districts 2, 3, and 7.
210	Pozzolith 100-HE Master Builders, Inc. Cleveland, Ohio	Water reducing and accelerating admixture					12/7/72	1021 Lab tested. Replaced by Pozzolith 122-HE.

**D-25**

**COUNCIL RECOMMENDATION**

NO.	PRODUCT NAME MANUFACTURER	DESCRIPTION	EVALUATION IN PROGRESS			EVALUATION COMPLETED		REFERENCE TO STANDARD SPECIFICATIONS
			FIELD TEST	LAB TEST	OTHER	ACCEPT	REJECT	REMARKS
211	Perma-Bind Larutan Corporation Anaheim, California	Cutback gilsonite asphalt for sealing asphalt pavements					5/16/75	Trial installed 10/71, District 6 (BAM shoulders). Cost not justified by performance.
212	Royston Bridge Membrane No. 10 Royston Laboratories, Inc. Pittsburgh, Pennsylvania	Prefabricated fiber glass reinforced interlayer membrane					10/75	Originally approved 5/16/75 and added to specifications. Later rejected because of blistering.
213	Protecto Wrap M-400 Membrane Protecto Wrap Company Denver, Colorado	Prefabricated interlayer membrane of resin modified coal tar reinforced with nonwoven polypropylene fabric					10/75	Originally approved 5/16/75 and added to specifications. Later rejected because of blistering.
214	Polyguard No. 875-G Membrane Polyguard Pipeline Products, Inc. Tulsa, Oklahoma	Prefabricated interlayer membrane of vinyl resin modified coal tar reinforced with woven fiber glass fabric					10/75	Originally approved 5/16/75 and added to specifications. Later rejected because of blistering.
215	Nordel Membrane (Reinforced) E. I. du Pont de Nemours and Company, Inc. Wilmington, Delaware	Prefabricated interlayer membrane of ethylene propylene rubber reinforced with nonwoven polypropylene fabric					12/19/75	Trials installed 8/75, District 1; 10/75, District 4.
216	Ceramescape Minnesota Mining and Manufacturing Company St. Paul, Minnesota	Polyurethane binder ceramic chip textured landscape surfacing material					7/14/72	Referred to Bureau of Maintenance.

**D-26**

**COUNCIL RECOMMENDATION**

NO.	PRODUCT NAME MANUFACTURER	DESCRIPTION	EVALUATION IN PROGRESS			EVALUATION COMPLETED		REFERENCE TO STANDARD SPECIFICATIONS
			FIELD TEST	LAB TEST	OTHER	ACCEPT	REJECT	REMARKS
217	Trinidad Asphalt Great Lakes Asphalt, Inc. Zionsville, Indiana	Trinidad lake asphalt-petroleum asphalt blend asphalt cement			7/14/72			Referred to Bureau of Design.
218	Inorganic Zinc Primer No. 1302 Jordan Paint Manufacturing Co., Inc. Forest Park, Illinois	Zinc filled inorganic coating for steel			12/6/74			Withdrawn by vendor.
219	Weathercote T Medallion Corporation Chicago, Illinois	Vinyl epoxy coating for guardrail, posts, and poles				12/6/74		Trial installed 7/73, District 6. Approved for use by Bureau of Traffic only.
220	Scotchkote Resin No. 117 Minnesota Mining and Manufacturing Company St. Paul, Minnesota	Epoxy coating for sign posts and delineator posts					12/19/75	
221	Bituminous Pavement Rejuvenator Koppers Company, Inc. Pittsburgh, Pennsylvania	Tar based penetrating reconditioner for bituminous pavements					12/12/77	Trial installed 11/74, District 6.
222	Dow Propylene Glycol Dow Chemical Company Midland, Michigan	Propylene glycol-based liquid deicer				9/26/75		Field tested in Districts 3 and 6.
223	PRF-140 (Mirafi 140) Celanese Fibers Marketing Company Charlotte, North Carolina	Non-woven nylon and propylene filter fabric				5/16/75		1080.01, 1080.05 Trial installed 8/73, District 8.
224	Fabriform Erosion Control Mats Construction Techniques, Incorporated Cleveland, Ohio	Porous nylon fabric envelope forms for concrete erosion control works				4/6/73		285, 1080.04

**D-27**

**COUNCIL RECOMMENDATION**

NO.	PRODUCT NAME MANUFACTURER	DESCRIPTION	EVALUATION IN PROGRESS			EVALUATION COMPLETED		REFERENCE TO STANDARD SPECIFICATIONS
			FIELD TEST	LAB TEST	OTHER	ACCEPT	REJECT	REMARKS
225	Fabriform Pile Jackets Construction Techniques, Incorporated Cleveland, Ohio	Porous nylon fabric forms for pile encasements				4/6/73		Special use only by Bureau of Maintenance and Bureau of Local Roads and Streets.
226	Heavy Duty Bituthene W. R. Grace Company Cambridge, Massachusetts	Prefabricated interlayer membrane of rubberized asphalt reinforced with woven polypropylene fabric				7/25/80		443, 1062 Trials installed 9/73 and 10/74, District 4; 6/78, District 5. Reject for bridge decks 3/28/80. Accept for reflective crack control.
227	Rubber Railroad Crossings Goodyear Tire and Rubber Company St. Marys, Ohio	Prefabricated steel reinforced neoprene rubber railroad crossing pads				8/5/77		Trials installed 10/74, District 3; 10/75, District 6.
228	Fab-Ra-Cast Szarka Enterprises, Inc. Livonia, Michigan	Prefabricated concrete railroad crossing slabs				8/5/83		Trials installed 4/76 and 9/77, District 6.
229	No-Bel Joint Clow Corporation West Chicago, Illinois	Low profile PVC bell joint for clay pipe				8/28/73		Lab tested.
230	Drain Guard Advanced Drainage of Illinois, Incorporated Arthur, Illinois	Perforated corrugated polyethylene tubing with nonwoven nylon filter screen				12/1/78		601, 1040.11, 1040.12 Trials installed 10/75 and 8/76, District 6; 11/76, District 9.
231	Roadpatch Standard Dry Wall Products, Incorporated Miami, Florida	Fast setting concrete patching compound			X			Lab tested. Originally accepted 4/5/74. Not on the department's latest list of approved rapid hardening mortars.
232	Set Instant Concrete Repair Set Products, Incorporated Macedonia, Ohio	Fast setting concrete patching compound				9/23/81		Set Products, Inc. was purchased by Master Builders, Incorporated.

**D-28**

**COUNCIL RECOMMENDATION**

NO.	PRODUCT NAME MANUFACTURER	DESCRIPTION	EVALUATION IN PROGRESS			EVALUATION COMPLETED		REFERENCE TO STANDARD SPECIFICATIONS	REMARKS
			FIELD TEST	LAB TEST	OTHER	ACCEPT	REJECT		
233	Sta-Tuft Environmental Products Corporation Cincinnati, Ohio	Poly rubber mulch made from recycled tires					4/3/81	Trial installed 6/76, District 8.	
234	Hi-Dri Cell Guardrail Blockout Energy Absorption Systems, Incorporated Chicago, Illinois	Lightweight concrete energy absorbing guardrail blockout					3/31/78	Trial installed 8/74, District 5. Insufficient durability.	
235	Hydro-Ban RVN Membrane Hydro-Ban Corporation Westminster, California	Prefabricated interlayer membrane of PVC sheeting, nylon fabric, and neoprene					12/19/75	Trial installed 9/74, District 4.	
236	Mas-Stik Concrete Products Supply Company Fort Wayne, Indiana	Preformed asphalt mastic joint sealer for culvert and sewer pipe					12/14/73	1056 In specifications 5/14/74.	
237	Asphalt Mastic Rope Superior Sealers Company St. Louis, Missouri	Preformed asphalt mastic joint sealer for culvert and sewer pipe					12/14/73	1056 In specifications 5/14/74.	
238	Butylfelt Storey Brothers and Company, Limited Lancaster, England	Prefabricated interlayer membrane of butyl rubber laminated to asphalt saturated felt					12/1/78	Trial installed 11/75, District 4.	
239	Hyload Ruberoïd Building Products, Limited London, England	Prefabricated interlayer membrane of fiber reinforced PVC modified coal tar					12/1/78	Trial installed 11/75, District 4.	

**D-29**

**COUNCIL RECOMMENDATION**

NO.	PRODUCT NAME MANUFACTURER	DESCRIPTION	EVALUATION IN PROGRESS			EVALUATION COMPLETED		REFERENCE TO STANDARD SPECIFICATIONS
			FIELD TEST	LAB TEST	OTHER	ACCEPT	REJECT	REMARKS
240	Gacoflex N-3S Gates Engineering Company, Incorporated Wilmington, Delaware	Prefabricated interlayer membrane of vulcanized neoprene					12/19/75	
241	Gacoflex UWM-28 Gates Engineering Company, Incorporated Wilmington, Delaware	Liquid-applied, two-component urethane interlayer membrane					11/30/76	
242	Superseal 4000 Superior Products Co. Inc. Oakland, California	Hot liquid-applied PVC modified coal tar interlayer membrane				12/14/79		Trial installed 8/74, District 8. Approved for patching only.
243	Oneida Structural Foam Oneida Manufacturing Ogden, Utah	Prefabricated polyethylene railroad crossing pads					12/1/78	Trial installed 8/75, District 1.
244	Nexon U. S. Steel Corporation Pittsburgh, Pennsylvania	Resin-modified coal tar laminated coating for steel culvert pipe				4/5/74		Permitted as an alternate to bituminous coating.
245	Steelplank Steelplank Corporation Wyandotte, Michigan	Prefabricated steel railroad crossing					9/7/79	Lab tested. Trials installed 10/77, District 8; 8/78, District 9.
246	Black Magic CPR Pavon Corporation Kansas City, Missouri	Cold poured emulsified rubber-asphalt joint sealer					9/26/75	Lab tested.
247	Track-Span Fel-Pro, Incorporated Skokie, Illinois	Cast-in-place rubber epoxy railroad crossing					8/5/83	Trials installed 9/74 and 9/76, District 1; 5/77, District 2; 9/77 and 9/78, District 3.
248	Saf & Dri Structural Rubber Products Company Springfield, Illinois	Prefabricated rubber encapsulated steel railroad crossing					12/1/78	Trial installed 6/76, District 3.

**D-30**

**COUNCIL RECOMMENDATION**

NO.	PRODUCT NAME MANUFACTURER	DESCRIPTION	EVALUATION IN PROGRESS			EVALUATION COMPLETED		REFERENCE TO STANDARD SPECIFICATIONS
			FIELD TEST	LAB TEST	OTHER	ACCEPT	REJECT	REMARKS
249	Permabit 60 Briggs Amasco, Limited London, England	Prefabricated interlayer membrane of fiber reinforced bitumen polymer					8/5/77	Trial installed 11/75, District 4.
250	Copper Smelter Slag Universal Oil Products Co. Des Plaines, Illinois	Reverberatory furnace copper smelter slag for skid resistant overlays					3/11/77	Not competitive.
251	Scotchkote Resin No. 202 Minnesota Mining and Manufacturing Company St. Paul, Minnesota	Powder-applied epoxy coating for dowel bars					12/6/74	420.10, 1006.11
252	Flex-Lok Midwest Manufacturing Corporation Burlington, Iowa	Urethane foam preformed expansion joint filler					X	Lab tested. Originally accepted 5/16/75, later rejected because of poor field performance and high cost.
253	Forward Proven Products, Inc. Portland, Oregon	Polyethylene louver-type glare screen					7/25/80	630, 1086.01 Trials installed 6/77, District 5; 6/80, District 8.
254	Blac-Klad Inland Steel Company Chicago, Illinois	Ethylene-acrylic laminated coating for steel culvert pipe					5/16/75	1006.01 Permitted as an alternate to bituminous coating.
255	Poly-Filter X Carthage Mills, Inc. Cincinnati, Ohio	Woven polypropylene fabric filter for drainage and erosion control structures					5/16/75	1080.01, 1080.02, 1080.05
256	Silicone Alkyd Dow Corning Corporation Midland, Michigan	Silicone alkyd co-polymer paint base for finish coats for bridges					12/19/75	Special provision. Lab tested.

**D-31**

**COUNCIL RECOMMENDATION**

NO.	PRODUCT NAME MANUFACTURER	DESCRIPTION	EVALUATION IN PROGRESS			EVALUATION COMPLETED		REFERENCE TO STANDARD SPECIFICATIONS
			FIELD TEST	LAB TEST	OTHER	ACCEPT	REJECT	REMARKS
257	Terra Tack II Grass Growers, Inc. Plainfield, New Jersey	Sodium lamarin- calcium sulfate mulch binder				12/4/81		251, 1081 Trials installed 11/80, District 2; 10/79, District 4.
258	Plasti-Flo Penn-Berks Corporation Bethel, Pennsylvania	PVC plastic semi- circular underdrain pipe					7/31/81	Trial installed 10/79, District 4.
259	SS-40 Fence Pipe Allied Tube and Conduit Corporation Harvey, Illinois	Galvanized fence pipe with acrylic coating				9/26/75		1006.27, 1006.28
260	Gen-Trac General Tire and Rubber Company Wabash, Indiana	Prefabricated steel reinforced elastomeric railroad crossing				12/1/78		
261	PVC Underdrain Hurlbut Plastic Pipe Corp. Madison, Wisconsin	PVC perforated underdrain pipe				12/1/78		601, 1040 Trials installed 9/76, District 5; 7/77, District 2.
262	Sylvax UPM Sylvax Chemical Corp. Great Neck, New York	Asphalt stockpile patching mix				8/5/77		"M" specification M 133 Trial installed 10/75, District 8.
263	Empigard Empire Plating Company Cleveland, Ohio	Passivated sacrificial coating with polymer surface seal					9/7/79	Trial installed 12/75, District 8.
264	Hold/Gro Gulf States Paper Corp. Tuscaloosa, Alabama	Paper-polypropylene yarn erosion control fabric				3/31/78		Trials installed 10/76 and 7/77, District 6.
265	Melnar-8 W. R. Meadows, Inc. Elgin, Illinois	Prefabricated interlayer membrane of PVC sheeting, fiber glass, and asphalt saturated felt				12/12/77		Withdrawn by vendor.

**D-32**

**COUNCIL RECOMMENDATION**

NO.	PRODUCT NAME MANUFACTURER	DESCRIPTION	EVALUATION IN PROGRESS			EVALUATION COMPLETED		REFERENCE TO STANDARD SPECIFICATIONS	REMARKS
			FIELD TEST	LAB TEST	OTHER	ACCEPT	REJECT		
266	Dreco PVC Pipe Drainage Engineering Corporation Benton, Illinois	PVC storm sewer pipe				12/1/78		550 For diameters up to 15 inches. Trial installed 9/77, District 6.	
267	Corrugated Steel Storm Sewers Illinois Corrugated Steel Pipe Association, Inc. Hinsdale, Illinois	Corrugated steel storm sewer pipe					X	Precoated and fully lined pipe was originally accepted 11/30/76 and in specifications 7/1/77. As of 2/1/96, no longer allowed for storm sewers.	
268	Dow Mulch Binder Dow Chemical Company Midland, Michigan	Styrene-butadiene latex emulsion mulch binder				12/4/81		251, 1081 Trial installed 10/79, District 4.	
269	Bidim Monsanto Textiles Co. St. Louis, Missouri	Needle punched nonwoven polyester filter fabric				7/30/76		Currently sold under trade name Trevira and manufactured by Hoechst Fibers Industries.	
270	Uni-Pak Mobil Chemical Company Kankakee, Illinois	Single package inorganic zinc primer for steel					X	Originally accepted 8/5/83. Later rejected, two-component system is now required.	
271	Enkamat American Enka Company Enka, North Carolina	Nylon-polyurethane erosion control matting				3/31/78		283, 1081.10 Trial installed 9/77, District 6.	
272	Plastix SD Prismo Universal Corp. Rockville, Maryland	Preformed thermoplastic traffic markings				4/3/81		Trials installed 8/77, District 1; 11/76, District 2.	
273	Thompson's Water Seal E. A. Thompson Co., Inc. Hollister, California	Penetrating concrete surface sealer					7/25/80	Lab tested.	
274	Four Seasons Bituminous Premix Emulsified Asphalts, Inc. Chicago, Illinois	Cut-back asphalt emulsion stockpile patching mix				3/11/77		See "M" specifications M17-95 and M48-79 Emulsified Asphalts, Inc. was purchased by Koch Materials.	

**D-33**

**COUNCIL RECOMMENDATION**

NO.	PRODUCT NAME MANUFACTURER	DESCRIPTION	EVALUATION IN PROGRESS			EVALUATION COMPLETED		REFERENCE TO STANDARD SPECIFICATIONS
			FIELD TEST	LAB TEST	OTHER	ACCEPT	REJECT	REMARKS
275	Checker Block Hastings Pavement Company, Inc. Lake Success, New York	Perforated precast concrete paving block					8/29/86	Trials installed 7/85, District 2; 12/84 and 9/85, District 8.
276	Stamark Minnesota Mining and Manufacturing Company St. Paul, Minnesota	Preformed thermoplastic traffic markings					4/3/81	Trials installed 6/77, District 1; 7/79, District 4.
277	Uniroyal Railroad Crossing Uniroyal, Incorporated Mishawauka, Indiana	Prefabricated steel reinforced polyurethane railroad crossing pads					3/31/78	Withdrawn by vendor.
278	Parkco Park Rubber Company Lake Zurich, Illinois	Prefabricated steel reinforced rubber railroad crossing					3/28/86	Trials installed 9/77, District 1; 9/78, District 8.
279	Driscopipe 7600 Phillips Products Co., Inc. Dallas, Texas	Ultra high molecular weight polyethylene pipe for insertion lining of culverts and storm sewers					12/16/83	542, 543, 1040.16 Trials installed 11/81, Illinois Tollway; 5/83, District 6; 10/82, District 8.
280	Quik Rok Preco Industries, Limited Plainview, New York	Flash setting nonshrink grout for setting anchor bolts				X		Originally approved 12/12/77. Not on the department's latest list of approved non-shrink grouts.
281	Perforated Concrete Tile Economy Tile Company Economy, Indiana	Perforated concrete tile for pipe underdrain				X		Originally accepted 12/12/77. No longer in specifications. May not be available anymore.
282	Hydrotube Wheeling Service and Supply, Incorporated Woodstock, Illinois	Perforated corrugated steel pipe underdrain					4/3/81	
283	Eze-Erect Sign Post Franklin Steel Company Franklin, Pennsylvania	Bolted base steel channel sign post					9/7/79	1006.29 Trials installed 10/78, District 1; 5/79, District 2.

**D-34**

**COUNCIL RECOMMENDATION**

NO.	PRODUCT NAME MANUFACTURER	DESCRIPTION	EVALUATION IN PROGRESS			EVALUATION COMPLETED		REFERENCE TO STANDARD SPECIFICATIONS
			FIELD TEST	LAB TEST	OTHER	ACCEPT	REJECT	REMARKS
284	Armco Noise Barrier Armco Steel Corporation Middletown, Ohio	Prefinished steel panel wall noise barrier					5/9/03	Originally accepted 9/7/79. Rejected because it does not meet current noise reduction requirements.
285	Dylex Latex 1186 Tex-Crete, Incorporated Gurnee, Illinois	Styrene-butadiene polymer latex concrete modifier					3/31/78	
286	Fondu Lone Star LaFarge Co. Norfolk, Virginia	Calcium aluminate cement for patching mixes					4/3/81	Lab tested. See also product proposal no. 397, Pyrament 505.
287	Set Non-shrink Grout Set Products, Incorporated Macedonia, Ohio	Non-shrink grout for setting anchor bolts					3/31/78	505.02, 505.08, 510.06 Set Products, Inc. was purchased by Master Builders, Incorporated.
288	Semperit-Bodan Grade Crossing Meadowbrook Enterprises, Incorporated Millbury, Massachusetts	Prefabricated concrete railroad crossing					12/16/83	1095.04 Trials installed 8/79, 7/80, and 9/80, District 1; 6/80, 9/80, District 4; 6/81, District 6.
289	Highway Striping Epoxy Compounds H. B. Fuller Company St. Paul, Minnesota	Hot applied epoxy traffic marking					8/24/84	1095.04 Trial installed 8/79, District 8.
290	Corrugated Steel Pipe National Corrugated Steel Pipe Association Glenview, Illinois	Corrugated steel pipe culverts for high type pavements					3/15/85	
291	Ritza Glaretamer Julius Koch USA, Inc. New Bedford, Massachusetts	Polyester mesh glare screen system					12/6/85	Trial installed 4/85, District 1.
292	Albitol American Vamag Co., Inc. Ridgefield, New Jersey	Bonding agent and additive for portland cement concrete			X			Withdrawn.

**D-35**

**COUNCIL RECOMMENDATION**

NO.	PRODUCT NAME MANUFACTURER	DESCRIPTION	EVALUATION IN PROGRESS			EVALUATION COMPLETED		REFERENCE TO STANDARD SPECIFICATIONS	REMARKS
			FIELD TEST	LAB TEST	OTHER	ACCEPT	REJECT		
293	Delugrip Dunlop, Limited London, England	Skid-resistant dense graded asphalt hot mix					4/2/82	Trial installed 9/77, Illinois Tollway.	
294	Aluminized Steel Type 2 Corrugated Metal Pipe Armco Steel Corporation Middletown, Ohio	Aluminum coated steel culvert pipe and structural plate					12/1/78	542, 1006	
295	P-221 Fibers DuPont and Company, Inc. Wilmington, Delaware	Polyester fiber additive for asphalt mixes					4/3/81		
296	Alidrain Vibroflotation Foundation Company Pittsburgh, Pennsylvania	Prefabricated wick type vertical drain					12/4/81	Trial installed 8/79, District 8.	
297	Cyclogen Witco Chemical Company Bakersfield, California	Asphalt rejuvenating agent for recycling					4/13/84	Lab tested. Trials installed 10/79, 5/80, and 8/80, District 1.	
298	Mirafi 500X Celanese Fibers Marketing Company Charlotte, North Carolina	Woven polypropylene fabric for subgrade stabilization					12/4/81	1080.02 Trials installed 10/80, District 1; 7/79, District 6.	
299	Set 45 Set Products, Incorporated Macedonia, Ohio	Magnesium phosphate based fast setting concrete patching compound					9/7/79	Set Products, Inc. was purchased by Master Builders, Incorporated.	
300	Asphadur Minnesota Mining and Manufacturing Company St. Paul, Minnesota	Stability additive for asphalt hot mixes					7/9/82	Trial installed 9/79, District 6.	

**D-36**

**COUNCIL RECOMMENDATION**

NO.	PRODUCT NAME MANUFACTURER	DESCRIPTION	EVALUATION IN PROGRESS			EVALUATION COMPLETED		REFERENCE TO STANDARD SPECIFICATIONS
			FIELD TEST	LAB TEST	OTHER	ACCEPT	REJECT	REMARKS
301	Epoflex Southwest Research Institute San Antonio, Texas	Nonproprietary hot applied epoxy traffic marking					12/14/84	Trials installed 10/80, District 2; 7/79, District 6.
302	Verglimit P. K. Distributing Company Hamilton, Ontario	Calcium chloride based anti-icing admixture for asphalt mixes					4/2/82	Trial installed 9/79, District 5.
303	Over-Flex Saharo Petroleum and Asphalt Company Phoenix, Arizona	Asphalt-rubber mixture for stress absorbing membrane, stress absorbing membrane interlayer, joint sealing, and crack sealing					7/31/81	Trials installed 8/80 and 9/85, District 1; 6/78, District 5; 4/79, 5/80, and 11/80, District 6. Approved for stress absorbing membrane interlayer (SAMI) 7/25/80. Approved for joint and crack sealing 7/31/81.
304	Aluminum Box Culvert Kaiser Aluminum, Inc. Oakland, California	Aluminum plate box culvert					8/25/89	Trials installed 10/79, 10/82, District 3. Approval based on AASHTO Bridge Design Section 12.7.
305	Darex Corrosion Inhibitor W. R. Grace and Company Cambridge, Massachusetts	Calcium nitrite corrosion inhibiting admixture for concrete					12/14/79	Special provision
306	Chain Link Fence Glare Screen U. S. Steel Corporation Chicago, Illinois	Small mesh chain link fence fabric glare screen					12/14/79	640, 1006.26, 1006.27
307	Galvalume Bethlehem Steel Corp. Bethlehem, Pennsylvania	Aluminum-zinc alloy coated steel culvert sheet					3/15/85	Trials installed 3/81, 4/81, District 6.

**D-37**

**COUNCIL RECOMMENDATION**

NO.	PRODUCT NAME MANUFACTURER	DESCRIPTION	EVALUATION IN PROGRESS			EVALUATION COMPLETED		REFERENCE TO STANDARD SPECIFICATIONS
			FIELD TEST	LAB TEST	OTHER	ACCEPT	REJECT	REMARKS
308	Corrugated Polyethylene Culvert Advanced Drainage Systems, Incorporated Columbus, Ohio	Large diameter corrugated polyethylene tubing for culverts			X			Originally accepted 8/9/85. Use discontinued following supplemental specification dated 2/1/96 which required a smooth interior.
309	Instant Road Repair Emcol of Illinois, Inc. Chicago, Illinois	Packaged bituminous patching compound				12/5/80		1009 Trials installed 2/80, 4/80, District 1; 11/79, District 6.
310	Steel Slag Hckett Engineering Co. Chicago, Illinois	Steel slag aggregate for bituminous mixes				4/3/81		1003, 1004 Approved for Class I bituminous mixes only.
311	Franklin Polyester Coating Franklin Steel Company Franklin, Pennsylvania	Powder applied polyester coating for sign posts				7/9/82		
312	Elastizell Concrete Elastizell Corporation of America Ann Arbor, Michigan	Foamed concrete for lightweight fill and backfill				8/5/83		Trial installed 9/82, District 1.
313	Nophalt Chem-Crete Corporation Menlo Park, California	Specially processed asphalt for high stability and reduced temperature susceptibility					2/6/87	Trial installed 9/80, District 8.
314	Dutrex 757 Shell Oil Company Tulsa, Oklahoma	Asphalt rejuvenating agent			X			Originally accepted 4/13/84. No longer available.
315	Five Star Highway Patch U. S. Grout Corporation Riverside, Connecticut	Fast setting concrete patching material				4/3/81		Lab tested.

**D-38**

**COUNCIL RECOMMENDATION**

NO.	PRODUCT NAME MANUFACTURER	DESCRIPTION	EVALUATION IN PROGRESS			EVALUATION COMPLETED		REFERENCE TO STANDARD SPECIFICATIONS
			FIELD TEST	LAB TEST	OTHER	ACCEPT	REJECT	REMARKS
316	Weyerhaeuser Glulam Railroad Crossing Weyerhaeuser Company Albert Lea, Minnesota	Laminated wood railroad crossing			7/31/81			Withdrawn by vendor.
317	Modular Track Span Fel-Pro, Incorporated Skokie, Illinois	Modular epoxy- rubber railroad crossing			7/9/82			Withdrawn by vendor.
318	Noishield Industrial Acoustics Co. Bronx, New York	Prefinished steel acoustic panel noise barrier					8/24/90	Trials installed 10/85, 7/90, District 8.
319	Solar-Laglugel NHI, Limited Chicago, Illinois	Nylon gel additive for asphalt cement					4/7/89	Trials installed 11/80, 9/83, and 10/83, District 1.
320	Saf & Dri Model C Structural Rubber Products Company Springfield, Illinois	Prefabricated rubber- encapsulated steel railroad crossing					7/9/82	Trials installed 7/80 (3) and 8/80, District 1; 5/81, District 3; 5/81, District 6.
321	Roadglas Owens-Corning Fiberglas Corporation Granville, Ohio	Woven fiber glass fabric for control of reflective cracking					8/24/84	444, 1063 Trials installed 11/80, District 1; 10/81, District 4; 10/81, District 6. Approved for D-cracked CRC pavements.
322	Stamark Detour Grade Minnesota Mining and Manufacturing Company St. Paul, Minnesota	Preformed removable pavement marking tape					12/5/80	1095.06 Trial installed 6/80, District 1.
323	Koppers Sound Barrier Koppers Company, Inc. Pittsburgh, Pennsylvania	Non-proprietary V- groove wood plank noise barrier					5/9/03	Originally accepted 4/3/81. Rejected because it does not meet current noise reduction requirements.
324	Polysar Latex Polysar, Incorporated Chattanooga, Tennessee	Latex modifier for asphalt cement					7/31/81	

**D-39**

**COUNCIL RECOMMENDATION**

NO.	PRODUCT NAME MANUFACTURER	DESCRIPTION	EVALUATION IN PROGRESS			EVALUATION COMPLETED		REFERENCE TO STANDARD SPECIFICATIONS
			FIELD TEST	LAB TEST	OTHER	ACCEPT	REJECT	REMARKS
325	Fiber Pave Hercules, Incorporated Wilmington, Delaware	Polypropylene fiber additive for asphalt				8/5/83 4/7/89		M126-95 -AC additive. Trial installed 11/81, District 5. Check Sheet #18. Used for shoulder sealing 1985, District 5.
326	Epoxy Modified Concrete Celanese Plastics and Specialties Company Louisville, Kentucky	Epoxy modifier for portland cement concrete			12/14/84			1021 Withdrawn by vendor.
327	Welded Beam Guardrail Post Welded Beam Corporation Perry, Ohio	Resistance welded W6x8.5 structural shape for guardrail posts				12/4/81		
328	Prismo seal A2 Prismo Universal Corp. Parsippany, New Jersey	Rubberized asphalt for crack and joint sealing					2/6/87	Trial installed 6/85, District 1.
329	CRF Crack Filler Witco Chemical Company Bakersfield, California	Emulsified asphalt with rejuvenator for sealing cracks in bituminous pavements					12/3/82	Trials installed 5/81, District 3; 10/80, 8/81, District 8.
330	Chem-Trete BSM Dynamit Nobel Montvale, New Jersey	Organosilane surface for portland cement concrete			X			1026 Originally approved 12/4/81. Not on the department's latest list of approved bridge seat sealers.
331	Hollow Shell Median Barriers Lone Star Polymer Concrete Company Greenwich, Connecticut	Precast polymer concrete shells for concrete median barriers			2/7/92			Withdrawn by vendor.
332	CRS-2S Asphalt Emulsion Bitucote Products Co. St. Louis, Missouri	Asphalt emulsion with Styrelf styrene butadiene polymer for seal coats					8/29/86	403, Special provision Trials installed 9/82, District 5; 9/81, District 8.

**D-40**

**COUNCIL RECOMMENDATION**

NO.	PRODUCT NAME MANUFACTURER	DESCRIPTION	EVALUATION IN PROGRESS			EVALUATION COMPLETED		REFERENCE TO STANDARD SPECIFICATIONS
			FIELD TEST	LAB TEST	OTHER	ACCEPT	REJECT	REMARKS
333	HFM-P Emulsion Prime Louis Marsch, Incorporated Morrisonville, Illinois	Penetrating asphalt emulsion prime				12/3/82		Special provision Trial installed 5/82, District 6. Now designated PEA.
334	Aluminized Steel Type 2 Fence Tubing Armco, Incorporated Middletown, Ohio	Aluminized steel type 2 tubular fence posts and rails				4/2/82		1006.27
335	CorBan RPM Liner Pipe Armco, Incorporated Middletown, Ohio	RPM pipe for insertion lining of culverts and storm sewers				12/16/83		543, 1040.17 Trials installed 10/83, District 5; 9/82, 5/83, District 6.
336	Erosion Control Netting Conwed Corporation St. Paul, Minnesota	Lightweight plastic mesh to hold loose mulch in place				8/5/83		Trial installed 10/82, District 1.
337	Hydro Mulch Overspray Conwed Corporation St. Paul, Minnesota	Wood cellulose fiber overspray tacking for straw mulch				7/9/82		1081.06 Trial installed 6/82, District 2.
338	Omni Shimless Grade Crossing Precured RDF Tirefill, Inc. Portland, Oregon	Prefabricated full-depth rubber railroad crossing				5/4/88		
339	FRP Road Signs Owens-Corning Fiberglas Corporation Toledo, Ohio	Fiber glass reinforced plastic sign substrate				8/25/89		Trial installed 12/82, District 6. Approved for local use.
340	Low Profile Steel Box Culvert Lane Metal Products Company, Incorporated Camp Hill, Pennsylvania	Corrugated steel structural plate box culvert				8/25/89		Approval based on AASHTO Bridge Design Section 12.7.

**D-41**

**COUNCIL RECOMMENDATION**

NO.	PRODUCT NAME MANUFACTURER	DESCRIPTION	EVALUATION IN PROGRESS			EVALUATION COMPLETED		REFERENCE TO STANDARD SPECIFICATIONS
			FIELD TEST	LAB TEST	OTHER	ACCEPT	REJECT	REMARKS
341	Perma Loc Johns-Manville Products Corporation Denver, Colorado	Ribbed large diameter PVC pipe for culverts and storm sewers				8/25/89		542, 550, 1040.24 Trial installed 10/83, District 2.
342	V Loc Socket System Foresight Industries, Inc. Cheyenne, Wyoming	Yielding base post support for delineators, sign posts, and fence posts			3/15/85			Withdrawn by vendor. Trial installed 2/83, District 6.
343	MDM Drainage Mat Monsanto Company St. Louis, Missouri	Mat-type underdrain for use without permeable backfill					1995	Trials installed 10/84, District 1; 7/83, District 3; 10/84, District 6. Originally accepted 12/14/84. Later rejected because of structural problems in the field.
344	HFE-90S Bituminous Materials Company, Incorporated Terre Haute, Indiana	High float emulsion of polymer modified asphalt for chip seals				4/7/89		Special provision. Now designated HFP. Bituminous Materials Company was purchased by Koch Materials.
345	Ceramar W. R. Meadows, Inc. Elgin, Illinois	Foamed plastic preformed expansion joint filler					X	1051.09 Originally rejected 10/9/87 because of poor field performance. Later incorporated in standard specifications.
346	Spirolite Spiral Engineered Systems Norcross, Georgia	Ribbed large diameter polyethylene pipe for culverts				12/18/87		542, 1040.23
347	Gemcrete Gemite Unique Products, Incorporated Rexdale, Ontario	Glass fiber cement additive for cement/sand/mortar mixes				4/7/89		Trials installed 11/83 and 9/85, District 1; 10/84, District 6.
348	Insituform Insituform of North America, Incorporated Memphis, Tennessee	Cured in-place plastic sleeve liner for storm sewers				8/25/89		Trial installed 1/84, District 3.

**D-42**

**COUNCIL RECOMMENDATION**

NO.	PRODUCT NAME MANUFACTURER	DESCRIPTION	EVALUATION IN PROGRESS			EVALUATION COMPLETED		REFERENCE TO STANDARD SPECIFICATIONS
			FIELD TEST	LAB TEST	OTHER	ACCEPT	REJECT	REMARKS
349	Gen-Trac II General Tire and Rubber Company Wabash, Indiana	Reversible steel-reinforced elastomeric railroad crossing			12/14/84			Withdrawn by vendor.
350	Strail Hi-Rail Gummiwerk-Kraiburg Silver Springs, Maryland	Prefabricated full-depth rubber railroad crossing				8/29/86		
351	FRP Manholes Armco, Incorporated Middletown, Ohio	Segmental fiber glass reinforced plastic manhole liners				12/6/85		
352	Rosphalt 50 Royston Laboratories, Inc. Pittsburgh, Pennsylvania	Rubberized bitumen additive for low void sand asphalt hot mixes					12/18/87	
353	K-Zinc 531 Inorganic Coatings, Inc. West Chester, PA	Water-based inorganic zinc bridge paint			7/28/00		10/29/93	One coat system rejected 10/29/93. Three coat system withdrawn 7/28/00. Company no longer in business.
354	L-300 Snow Fence DuPont Canada, Inc. Mississauga, Ontario	Heavy duty polyester netting snow fence				8/29/86		M131-92
355	Rockbond Elborg Technology Co. Pittsburgh, Pennsylvania	High strength microsilica concrete for bridge deck overlays				4/7/89		Guide Bridge Special Provision GBSP29-3. Special provision is generic. There is no approved list for microsilica.
356	Halox Hammond Lead Products Hammond, Indiana	Calcium boro silicate corrosion inhibiting pigment for bridge paints					8/4/95	
357	Nalzin 2 NL Chemicals Hightown, New Jersey	Zinc hydroxy phosphite pigment for bridge paints					7/22/94	

**D-43**

**COUNCIL RECOMMENDATION**

NO.	PRODUCT NAME MANUFACTURER	DESCRIPTION	EVALUATION IN PROGRESS			EVALUATION COMPLETED		REFERENCE TO STANDARD SPECIFICATIONS	REMARKS
			FIELD TEST	LAB TEST	OTHER	ACCEPT	REJECT		
358	Cobra-X Railroad Friction Products Corporation Wilmerding, Pennsylvania	Modular expanded polyethylene railroad grade crossing					8/25/89	Trial installed 5/85, District 5.	
359	Koppers Wear Guard Koppers Company, Inc. Pittsburgh, Pennsylvania	Modular timber railroad grade crossing with expanded polyethylene wearing surface					8/25/89	Trials installed 5/86, District 6; 9/86, District 3.	
360	Carsonite Modular Glare Screen Carsonite International Corporation Carson City, Nevada	Modular louver-type glare screen					12/6/85	638, 1086.01 Trial installed 4/85, District 1.	
361	IBC Mk-7 Barrier International Barrier Corp. New York, New York	Free-standing sand-filled median barrier					12/4/92		
362	A-2000 Armco, Incorporated Middletown, Ohio	Smooth bore corrugated exterior PVC pipe for storm sewers and underdrains					12/6/85	542, 543, 550, 601, 1040 Trial installed 3/85, District 1.	
363	Miramat Mirafi, Incorporated Charlotte, North Carolina	Vinyl erosion control matting					5/4/88		
364	Evercrete Noise Barrier Evercrete, Limited Maple, Ontario	Precast concrete noise barrier					12/4/92	Withdrawn by vendor.	
365	Curbstone Curbstone, Incorporated St. Paul, Minnesota	Precast concrete curb					8/29/86	Subject to conformance with MUTCD standards.	

**D-44**

**COUNCIL RECOMMENDATION**

NO.	PRODUCT NAME MANUFACTURER	DESCRIPTION	EVALUATION IN PROGRESS			EVALUATION COMPLETED		REFERENCE TO STANDARD SPECIFICATIONS
			FIELD TEST	LAB TEST	OTHER	ACCEPT	REJECT	REMARKS
366	Cadilloc Cadilloc External Pipe Joint, Incorporated Escanaba, Michigan	External sealing band for concrete pipe				8/24/84	1057	
367	Enkadrain American Enka Company Enka, North Carolina	Polyester-nylon composite drainage mat for retaining wall drains					4/7/89	Trials installed 8/85, 11/85, District 1.
368	Neutra-Rust American Sales Co., Inc. Bethel, Connecticut	Acrylic polymer rust converter`					12/18/87	
369	Microfil 8 Cabot Corporation Billerica, Massachusetts	Carbon black additive for bituminous mixtures					12/18/87	
370	Tensar Snowfence Tensar Corporation Morrow, Georgia	Polyethylene expanded grid mesh snow fence				8/14/92		"M" specification M131-92
371	Spiral Rib Pipe Pacific Spiral Rib Pipe Newport Beach, California	Galvanized steel pipe with rectangular external rib corrugations				5/4/88		
372	Southern Main Line Crossing Structural Rubber Products Company Springfield, Illinois	Prefabricated concrete railroad crossing				4/7/89		Trial installed 10/86, District 8.
373	Busan 11-M1 Buckman Laboratories, Incorporated Memphis, Tennessee	Barium metaborate corrosion-inhibiting pigment for bridge paints					7/24/94	Trials installed 7/87, District 4; 7/88, District 6.

**D-45**

**COUNCIL RECOMMENDATION**

NO.	PRODUCT NAME MANUFACTURER	DESCRIPTION	EVALUATION IN PROGRESS			EVALUATION COMPLETED		REFERENCE TO STANDARD SPECIFICATIONS
			FIELD TEST	LAB TEST	OTHER	ACCEPT	REJECT	REMARKS
374	Ero-Mat Armco, Incorporated Middletown, Ohio	Knitted straw mat erosion control blanket				5/29/87		251, 1081.10 Trials installed 7/86, District 1; 3/85, 9/85, District 6.
375	Perma-Soil Ditch Witch, Incorporated Perry, Oklahoma	Silicate based polymer hydrogel soil stabilizing agent					8/9/85	
376	Plastic-Bore Lane Metal Products Company, Incorporated Camp Hill, Pennsylvania	Corrugated steel pipe with smooth bore PVC liner for storm sewers and culverts				12/6/85		542, 550, 1006
377	Bongossi North American Hacon, Incorporated Doylestown, Pennsylvania	Tropical hardwood for bridge, marine structures, and noise barriers					5/9/03	Trials installed 9/87, District 4; 10/89, 5/90, District 1. Originally accepted 8/24/90. Rejected because it does not meet current noise reduction requirements.
378	Pittguard DTR PPG Industries Pittsburgh, Pennsylvania	Epoxy bridge paint			2/7/92			Withdrawn by vendor.
379	Topcoat Polyester Powder Armstrong Products Co. Warsaw, Indiana	Polyester powder coating for guardrail and steel posts			5/4/88			Withdrawn by vendor.
380	Carbomastic 15 Carboline Company St. Louis, Missouri	Aluminum pigmented epoxy bridge paint				8/25/89		Special provision Approved for case-hardened steel.
381	Parkco Lag Down Crossing Park Rubber Company Lake Zurich, Illinois	Longitudinal shim, steel reinforced rubber railroad crossing				5/4/88		
382	Smooth Cor Caldwell Culvert Company North Little Rock, Arkansas	Smooth lined precast corrugated steel storm sewer pipe				3/28/86		550, 1006.01

**D-46**

**COUNCIL RECOMMENDATION**

NO.	PRODUCT NAME MANUFACTURER	DESCRIPTION	EVALUATION IN PROGRESS			EVALUATION COMPLETED		REFERENCE TO STANDARD SPECIFICATIONS	REMARKS
			FIELD TEST	LAB TEST	OTHER	ACCEPT	REJECT		
383	Akwadrain American Wick Drain Co. Matthews, North Carolina	Mat-type wall underdrain for use without permeable backfill					5/3/91		
384	Poz-Loc Post and Socket Assembly Southwestern Pipe, Inc. Houston, Texas	Socket, wedge, and post assembly for signs				5/4/88			
385	FAST Corner Assembly (fence) FAST Company Crane, Missouri	Fence corner post and brace assembly				2/6/87		665	
386	Lock-Post (fence) Pegfence International, Incorporated Des Plaines, Illinois	Steel wedge-shaped fence post anchor			12/8/89				Withdrawn by vendor.
387	Geoblock Landscaping System Presto Products, Inc. Appleton, Wisconsin	Plastic paving blocks for landscaping purposes					2/6/87		
388	Epflex Railseal Interface Epton Industries, Incorporated Kitchener, Ontario	Elastomeric rail seal interface between rail and crossing material				9/20/91			Trials installed 9/88, District 1; 10/88, District 2; 10/89, District 3.
389	Anchor-It Adhesives Technologies Corporation Kent, Washington	Epoxy anchoring grout in a cartridge system				2/6/87		584, 1025.04	
390	ADS End Sections Advanced Drainage Systems, Incorporated Columbus, Ohio	Polyethylene culvert pipe end sections					12/8/89		Trials installed 4/88, District 1; 8/88, District 2; 5/88, District 5; 5/88, District 8.

**D-47**

**COUNCIL RECOMMENDATION**

NO.	PRODUCT NAME MANUFACTURER	DESCRIPTION	EVALUATION IN PROGRESS			EVALUATION COMPLETED		REFERENCE TO STANDARD SPECIFICATIONS
			FIELD TEST	LAB TEST	OTHER	ACCEPT	REJECT	REMARKS
391	P300 Erosion Control Blanket North American Green Evansville, Indiana	Erosion control/revegetation mat					8/24/90	Special provision Trials installed 5/87, District 6; 11/88, District 1; 11/88, District 4.
392	Sentre Guardrail Terminal Energy Absorption Systems, Incorporated Chicago, Illinois	Safety barrier end treatment					12/18/87	Referred to Bureau of Materials and Physical Research. Trial installed 6/86, District 1.
393	Tri-Lock American Excelsior Lombard, Illinois	Precast concrete revetment mat for erosion control					2/7/92	281, 1005.02
394	Poroswall Pipe Walker Poroswall Pipe Company Little Ferry, New Jersey	Porous concrete underdrain pipe					8/24/90	Not cost effective.
395	Vehicle Attenuator Terminal Syro Steel Company Girard, Ohio	Crashworthy end anchorage for W- beam guardrail					12/18/87	Referred to Bureau of Materials and Physical Research.
396	Sno-Strap Signode Corporation Glenview, Illinois	Snow fence strap					12/18/87	
397	Pyrament 505 Pyrament/Lone Star Industries, Incorporated Houston, Texas	Packaged mortar for high early strength PCC patching				X		Originally accepted 7/22/94. No longer available.
398	Flexolith Dural International Corp. Deer Park, New York	Epoxy overlay for concrete filled steel grid bridge decks					12/18/87	

**D-48**

**COUNCIL RECOMMENDATION**

NO.	PRODUCT NAME MANUFACTURER	DESCRIPTION	EVALUATION IN PROGRESS			EVALUATION COMPLETED		REFERENCE TO STANDARD SPECIFICATIONS
			FIELD TEST	LAB TEST	OTHER	ACCEPT	REJECT	REMARKS
399	Tie Collar Assembly Sibley Machine and Foundry Corporation South Bend, Indiana	Rail-highway grade crossing subgrade support system					10/29/93	Trials installed 9/89, District 9; 10/89, District 1.
400	Nelson Railchair Nelson Iron Works Seattle, Washington	Railchair for rail-highway grade crossings					12/18/87	
401	Sealer-Healer 1540 Monomer Rohm and Haas Company Spring House, PA	Portland cement concrete crack sealer					4/7/95	Trials installed 4/87, 5/89, District 8.
402	Anticorrosive Highway Deicer Cargill, Incorporated Minneapolis, Minnesota	Sodium chloride with corrosion inhibitor			2/7/92			Withdrawn by vendor.
403	Air-O-Form Concepts in Concrete, Inc. Tulsa, Oklahoma	Air bag forming system for arch culverts			2/7/92			Withdrawn by vendor.
404	Ralumac Micro-Surfacing Midwest Ralumac Columbus, Ohio	Polymer modified asphalt emulsion slurry seal					4/20/90	1009.07(e) Trials installed 7/88, 9/89, District 4; 9/89, District 9; 10/89, District 6.
405	Ultra-Rib Extrusion Technologies, Incorporated Denver, Colorado	Smooth interior, ribbed exterior, PVC pipe for storm drains					4/7/89	542, 550, 1040.24, 1040.25
406	Red Hawk Full Depth Rubber Crossing Red Hawk Rubber Co. McHenry, Illinois	Full-depth rubber railroad crossing					9/20/91	Trials installed 5/89, District 2; 6/89, District 3; 5/90, District 9. Company bought out by Omni.

**D-49**

**COUNCIL RECOMMENDATION**

NO.	PRODUCT NAME MANUFACTURER	DESCRIPTION	EVALUATION IN PROGRESS			EVALUATION COMPLETED		REFERENCE TO STANDARD SPECIFICATIONS
			FIELD TEST	LAB TEST	OTHER	ACCEPT	REJECT	REMARKS
407	Delcrete Elastomeric Concrete D. S. Brown Company North Baltimore, Ohio	Sand and fiber glass fortified urethane resin for bridge expansion joint nosings				8/14/92		Special provision Trial installed 6/90, District 6. Accepted where time constraints justify its use.
408	Hy-Span Hyway Concrete Pipe Co. Findlay, Ohio	Precast reinforced concrete three-sided structure				8/25/89		Guide Bridge Special Provisions GBSP15-1 and GBSP16-1
409	Koppers Wear Guard (Rubber) Koppers Industries, Inc. Pittsburgh, Pennsylvania	Steel reinforced, rubber paneled, railroad crossing					8/25/89	Trials installed 10/88, 11/88, District 4; 5/89, District 2.
410	Applegate Mulch American Cellulose Manufacturing, Inc. Minonk, Illinois	Cellulose fiber mulch for use in hydromulching`				2/7/92		251, 1081.06
411	Tensar Erosion Mat-NS3000 Tensar Corporation Morrow, Georgia	Erosion control mat for use as an alternate to riprap in ditch lining				8/23/96		1081.10(e) Product name changed to TM3000.
412	SACI Corrosion Inhibitor Witco Corporation New York, New York	Complex concentrate for formulating protective coatings for steel				8/25/89		Special provision
413	Jeene Jeene Technology Corp. Lauderhill, Florida	Joint seal for bridge expansion joints				8/14/92		Special provision Allowed for 1" to 4" wide openings.
414	Five Star Structural Concrete V/O Five Star Products, Inc. Fairfield, Connecticut	Concrete repair mortar specifically formulated for vertical and overhead applications				8/25/89		Special provision

**D-50**

**COUNCIL RECOMMENDATION**

NO.	PRODUCT NAME MANUFACTURER	DESCRIPTION	EVALUATION IN PROGRESS			EVALUATION COMPLETED		REFERENCE TO STANDARD SPECIFICATIONS	REMARKS
			FIELD TEST	LAB TEST	OTHER	ACCEPT	REJECT		
415	Conlock Concrete Blocks Hydro-Turf and Associates, Incorporated Gilbert, Illinois	Precast concrete interlocking erosion control system				4/23/93		1005.02	
416	SuperGro 758 Phillips Fibers Corporation Greenville, South Carolina	Polypropylene fiber erosion control blanket			9/25/98				Product line sold to Amoco. Withdrawn without prejudice.
417	Railroad Prefabricated Crossing-Century Precast Concrete Century Precast Sulphur, Louisiana	Precast, reinforced concrete railroad crossing					9/25/98		Originally accepted 4/23/93, later rejected in favor of frameless model.
418	Pavetech Bridge Joint System Pavetech BJS, Inc. Greensboro, North Carolina	Asphalt plug-type bridge expansion joint					7/22/94		Poor field performance.
419	PS 100 Mulch Blanket Proseed (U.S.A.), Inc. San Marcos, Texas	Erosion control blanket consisting of bonded bermuda grass fibers					10/29/93		
420	P.A.C.E. Pittenger and Cook Engineering, Incorporated Mundelein, Illinois	Full-depth rubber grade crossing					12/2/94		Poor field performance. New field tests conducted 1996-1998. New tests validated original conclusion to reject. Company sold to Rail-Way, Inc. of Cascade, Iowa.
421	Steelflex SSCM Strip Seal D. S. Brown Company North Baltimore, Ohio	Steel armor plate and neoprene gland bridge expansion joint				8/4/95			Special provision
422	Hi-Miler Goodyear Tire and Rubber Company St. Marys, Ohio	Rubber/corrugated steel reinforced railroad crossing pads				7/22/94			

**D-51**

**COUNCIL RECOMMENDATION**

NO.	PRODUCT NAME MANUFACTURER	DESCRIPTION	EVALUATION IN PROGRESS			EVALUATION COMPLETED		REFERENCE TO STANDARD SPECIFICATIONS	REMARKS
			FIELD TEST	LAB TEST	OTHER	ACCEPT	REJECT		
423	Lignin LS-50 Prince Manufacturing Co. Quincy, Illinois	Dust control agent and stabilizer for roads					8/14/92		BLR & S specification Similar to proposal no. 135.
424	Dragnet Vehicle Arresting Barrier Entwistle Manufacturing Company Hudson, Massachusetts	Reusable vehicle arresting barrier					5/3/91		Special provision
425	Hot Tape Pave-Mark Corporation Atlanta, Georgia	Preformed pavement marking					X		1095.05 Accepted for use by Bureau of Traffic.
426	SRP Water Borne Vinyl The Glidden Company Maryland Heights, MO	Water reducible three coat vinyl system				X			Withdrawn without prejudice.
427	Xorex Steel Fibers Novocon International Inc. Mt. Prospect, Illinois	Steel fiber additive for PCC concrete						8/23/96	Field trial 6/92, District 1.
428	Sound Off Crane/Cor Tec Company Washington Court House, Ohio	Prefabricated sound barrier						9/25/98	Withdrawn without prejudice.
429	Extrudamat Fiberized Products, Inc. Hilliard, Ohio	Mixture of asphalt cement and short cut polypropylene fibers						9/20/91	Approved for crack filling.
430	Star Track II D & M Concrete of Carolina Atlanta, Georgia	Precast full depth concrete railroad grade crossing						8/23/96	Trials installed 6/94, 5/95, 7/95, District 1.
431	Cable Concrete McCann Concrete Products Dorsey, Illinois	Precast cable linked concrete block revetment mat for erosion control						1/31/97	1005 Approved for applications where aesthetics are a priority. Field trials installed 8/94, District 4; 12/95, District 5.

**D-52**

**COUNCIL RECOMMENDATION**

NO.	PRODUCT NAME MANUFACTURER	DESCRIPTION	EVALUATION IN PROGRESS			EVALUATION COMPLETED		REFERENCE TO STANDARD SPECIFICATIONS
			FIELD TEST	LAB TEST	OTHER	ACCEPT	REJECT	REMARKS
432	Concrete Arch Buried Bridge Lane Enterprises, Inc. Pulaski, Pennsylvania	Bridge structure			X			Withdrawn without prejudice.
434	Dow Corning 902 RCS Dow Corning Corporation Midland, Michigan	Joint sealant for bridge expansion joints					12/2/94	Special provision.
435	Diamond Wall System Northfield Block Company Mundelein, Illinois	Gravity retaining wall					8/14/92	Approved for heights up to 10 feet, provided blocks pass ASTM C666, procedure B.
436	Custom Rock Form Liner System Custom Rock International St. Paul, Minnesota	Form liner system for concrete					8/14/92	Architectural finish for concrete walls.
437	Railroad Prefabricated Crossing-Shunt Panel Fite Corporation Diamond Bar, California	Precast concrete grade crossing			9/9/96			Withdrawn without prejudice.
438	Versa-Lok Retaining Wall System Bend Industries/Ampress Des Plaines, Illinois	Modular gravity wall system for use as a geogrid reinforced soil structure					12/4/92	Approved for heights up to 10 feet, provided blocks pass ASTM C666, procedure B.
439	T-Wall The Neel Company Springfield, Virginia	Gravity and reinforced soil retaining wall system					4/23/93	Approved for heights up to 10 feet, pending Bureau of Bridges check for AASHTO conformance. Blocks must pass ASTM C666, procedure B.
440	NuPipe Insituform Technologies, Incorporated Memphis, Tennessee	Pipe liner	10/29/93					

**D-53**

**COUNCIL RECOMMENDATION**

NO.	PRODUCT NAME MANUFACTURER	DESCRIPTION	EVALUATION IN PROGRESS			EVALUATION COMPLETED		REFERENCE TO STANDARD SPECIFICATIONS
			FIELD TEST	LAB TEST	OTHER	ACCEPT	REJECT	REMARKS
441	Durisol The Reinforced Earth Company Westmont, Illinois	Sound absorptive panel				10/29/93		Field trials 1986, District 8; 1991, District 1.
442	Flexcon 2000 Joint System R. J. Watson, Incorporated East Amherst, New York	Polysulfide seal for bridge expansion joints					12/2/94	Field trials installed 9/93, 11/93, District 8; 10/93, District 4; 5/94, District 7.
443	Goodyear Full Depth Rubber Crossing Goodyear Tire and Rubber Company St. Marys, Ohio	Full depth rubber railroad grade crossing				10/29/93		
444	Infiltrator Infiltrator Systems, Inc. Old Saybrook, Connecticut	Storm water retention system	10/29/93					
445	Dow Corning 888 Dow Corning Corporation Midland, Michigan	Non-sag silicone joint sealant				3/11/94		Special provision Field trials installed 1986, District 8; 1986, District 2.
446	Dow Corning 890-SL Dow Corning Corporation Midland, Michigan	Self-leveling silicone joint sealant					10/1/99	Field trial installed 9/96, District 1. Rejected because of poor field performance and lack of product support.
447	Inliner USA Inliner USA, Incorporated Houston, Texas	Cured in-place pipe liner				3/11/94		
448	Union Pacific Precast Concrete Road Crossing Union Pacific Railroad Co. St. Louis, Missouri	No lag precast concrete railroad crossing surface					8/23/96	Field trials installed 9/94, District 4; 10/94, District 9; 8/95, District 3.
449	KSA Full Width Concrete Grade Crossing Koppers-Sherman-Abetong Pittsburgh, Pennsylvania	Frameless precast concrete railroad crossing surface				9/25/98		Field trials installed 9/94, District 5; 6/95, District 8; 10/95, District 1.

**D-54**

**COUNCIL RECOMMENDATION**

NO.	PRODUCT NAME MANUFACTURER	DESCRIPTION	EVALUATION IN PROGRESS			EVALUATION COMPLETED		REFERENCE TO STANDARD SPECIFICATIONS
			FIELD TEST	LAB TEST	OTHER	ACCEPT	REJECT	REMARKS
450	Blacksmith Shunt Free Concrete Crossing Blacksmith RR Supply Orem, UT	Precast concrete railroad crossing surface			8/23/96			Withdrawn without prejudice.
451	Omni Standard Concrete Omni Products, Inc. McHenry, Illinois	Precast concrete railroad crossing				7/22/94		
452	Fence-Crete Faddis Concrete Products Downington, Pennsylvania	Precast concrete noise barrier					5/9/03	Originally accepted 12/2/94. Rejected because it does not meet current noise reduction requirements.
453	Siltsack Atlantic Construction Fabrics, Incorporated Richmond, Virginia	Secondary sediment control device			8/6/04			Field trial installed 8/96, Effingham. Withdrawn without prejudice.
454	Pyramid The Reinforced Earth Co. Westmont, Illinois	Block retaining wall				12/2/94		Approved for heights up to 10 feet. Blocks must pass ASTM C666, procedure B.
455	Soundcore Advanced Storage Technology Amherst, New York	Precast concrete noise barrier wall				4/7/95		
456	Instant Road Repair II Safety Lights Houston, Texas	Asphalt cold mix for pothole patching				12/1/95		"M" Specification M133-96
457	TechStar W-Seal TechStar, Incorporated Findlay, Ohio	Bridge expansion joint					10/1/99	Field trials installed 5/97, 6/97, 6/97, District 4. Rejected because of poor field performance.
458	Pennzsuppress D Pennzoil Products Co. Maryland Heights, Missouri	Dust palliative			9/25/98			Withdrawn without prejudice.

**D-55**

**COUNCIL RECOMMENDATION**

NO.	PRODUCT NAME MANUFACTURER	DESCRIPTION	EVALUATION IN PROGRESS			EVALUATION COMPLETED		REFERENCE TO STANDARD SPECIFICATIONS
			FIELD TEST	LAB TEST	OTHER	ACCEPT	REJECT	REMARKS
459	REACT 350 Roadway Safety Service, Incorporated Ronkonkoma, New York	Reusable barrier terminal				8/4/95		Special provision
460	Quick-Wedge Erico, Incorporated Solon, Ohio	Coupler for joining reinforcement bars					5/23/97	Installed in test patches 9/96, District 6.
461	Roadsaver Silicone 34902 Crafco, Incorporated Chandler, Arizona	Non-sag silicone joint sealant					9/5/03	Field trial installed 8/98, Mt. Vernon Airport. Rejected because of unsatisfactory (debonding) field performance.
462	Roadsaver Silicone 34903 Crafco, Incorporated Chandler, Arizona	Self-leveling silicone joint sealant					10/12/01	Field trials installed 8/96, Coles County Airport; 9/97, Effingham Airport; 11/97, St. Louis Downtown-Parks Airport; 8/98, St. Louis Regional Airport; 11/99, St. Louis Downtown-Parks Airport; 12/99, St. Louis Regional Airport. Rejected because of unsatisfactory field performance.
463	TruFlow Owens-Corning Corp. Toledo, Ohio	Asphalt coating for steel pipe					11/30/10	Field trial installed 4/96, Christian County. Rejected because of poor field performance.
464	Premier Advanced Panel Premier Concrete Railroad Crossings Portland, Oregon	Frameless precast concrete railroad crossing surface				9/25/98		Non-clad, lag down model only. Field trial installed 8/96, District 4.
465	Glare-Gaard Automotive Safety Transport, Incorporated Bellingham, Washington	Modular glare screen				12/1/95		638, 1086.01(c)
466	Century Precast Frameless Concrete RR Crossing Century Precast Sulphur, Louisiana	Precast concrete railroad crossing surface				9/25/98		Lag down model. Field trials installed 7/96, 7/96, District 8; 8/96, District 7; 8/96, 8/96, District 3.

**D-56**

**COUNCIL RECOMMENDATION**

NO.	PRODUCT NAME MANUFACTURER	DESCRIPTION	EVALUATION IN PROGRESS			EVALUATION COMPLETED		REFERENCE TO STANDARD SPECIFICATIONS
			FIELD TEST	LAB TEST	OTHER	ACCEPT	REJECT	REMARKS
467	PolyDrain ABT, Incorporated Troutman, North Carolina	Trough-type pavement drain				4/26/96		
468	Verdyol XTRA Standard Verdyol Alabama, Inc. Pell City, Alabama	Combination wood and straw erosion control blanket				4/26/96		Special provision
469	C350 EC/TRM North American Green Evansville, Indiana	Coconut fiber erosion control blanket				4/26/96		Special provision
470	SC 150 North American Green Evansville, Indiana	Combination straw and coconut erosion control blanket				4/26/96		Special provision
471	Rheocrete 222+ Master Builders, Inc. Cleveland, Ohio	Corrosion inhibiting admixture				5/23/97		Special provision
472	FiberDowel RJD Industries, Inc. Laguna Hills, California	Fiber glass dowel bar	4/26/96					Field trials installed 8/96, District 6; 8/97, District 1; 5/99, District 6.
473	Grappler Virtual Industries, Inc. Eden Prairie, Minnesota	Rubber manhole riser				7/28/00		602, 603 Field trial 8/96, City of Naperville.
474	Dandy Bag Dandy Products, Inc. Grove City, Ohio	Secondary sediment control device	10/29/09					Withdrawn without prejudice 10/1/99. Field trials approved 10/29/09.
475	Mesa Retaining Wall System Tensor Earth Technologies, Incorporated Atlanta, Georgia	Modular block retaining wall system			10/1/99			Failed laboratory freeze-thaw testing. Withdrawn from council consideration. Referred to materials.

**D-57**

**COUNCIL RECOMMENDATION**

NO.	PRODUCT NAME MANUFACTURER	DESCRIPTION	EVALUATION IN PROGRESS			EVALUATION COMPLETED		REFERENCE TO STANDARD SPECIFICATIONS
			FIELD TEST	LAB TEST	OTHER	ACCEPT	REJECT	REMARKS
476	Manhole Riser American Highway Products, Limited Massillon, Ohio	Steel manhole adjusting ring				7/28/00		603 Field trial installed 8/97, City of Decatur.
477	Graffiti Solution System American Polymer Corp. Sandy, Utah	Anti-graffiti system					8/6/04	Field trials installed 10/97, City of Bloomington; 11/01, 6/02 District 8. Rejected because of poor field performance both in terms of coating failures and inability to remove graffiti.
478	Z-Clip International Fence Systems, LLC Danville, California	Wire fence			7/28/00			Withdrawn without prejudice.
479	Silicoflex R. J. Watson, Incorporated East Amherst, New York	Expansion joint seal for bridges	10/29/09					Withdrawn without prejudice 11/17/00. Field trials approved 10/29/09.
480	4727 Zinc-Hydrogel Anode Minnesota Mining and Manufacturing Company St. Paul, Minnesota	Passive cathodic protection system					11/17/00	Field trials installed 8/97, 8/97, District 4; 9/98, District 6. Rejected because of debonding and embrittlement of hydrogel.
481	PPI Rubber Interface Performance Polymers, Incorporated Cambridge, Ontario	Elastomeric railseal interface between rails and crossing surface				9/26/97		Very similar to product proposal no. 388.
482	Pec-Mat Greenstreak, Incorporated St. Louis, Missouri	Erosion control blanket				9/26/97		Supplemental specification for section 1081.10(e)
483	Triangular Silt Dike The Triangular Silt Dike Company Midwest City, Oklahoma	Temporary sediment and erosion control barrier				9/26/97		

**D-58**

**COUNCIL RECOMMENDATION**

NO.	PRODUCT NAME MANUFACTURER	DESCRIPTION	EVALUATION IN PROGRESS			EVALUATION COMPLETED		REFERENCE TO STANDARD SPECIFICATIONS
			FIELD TEST	LAB TEST	OTHER	ACCEPT	REJECT	REMARKS
484	Enviro Frame Enviromax Rubber, Inc. Laval, Quebec	Combination rubber and precast concrete manhole frame			7/28/00			Withdrawn without prejudice.
485	Dura-Check Panel Products, Inc. Springfield, Missouri	Reusable low density polyethylene ditch check					11/17/00	Field trial 5/00, District 6. Rejected because of poor field performance.
486	Aluminized Steel Type 1 Corrugated Metal Pipe St. Regis Culvert, Inc. Indianapolis, Indiana	Aluminum coated steel culvert pipe					5/19/06	Laboratory testing completed. Final report.
487	Zemdrain MD2 DuPont Company, Inc. Old Hickory, Tennessee	Controlled permeability form liner for portland cement concrete					10/25/02	Contractor option. Field trials installed 8/99, District 3; 9/01, District 8.
488	Heavy Duty Plastic Apron Endwall Wisconsin Plastic Drain Tile Corporation Jefferson, Wisconsin	High density polyethylene underdrain headwall					4/22/05	Field trials installed 12/99, 12/00, District 8. Rejected because of problems with outlet connection and lateral displacement.
489	Wabo Two Part Silicone Sealant Watson Bowman Acme Corporation Amherst, New York	Silicone bridge expansion joint sealant					8/6/04	Guide Bridge Special Provision 35 Field trial installed 6/02, District 6.
490	EnviroBerm Cascade Distribution Ltd. Edmonton, Alberta	Temporary ditch check					7/28/00	280 Field trials 8/99, 9/99, District 6.
491	Verti-Pro Alpine Stormwater Management Company Grove City, Ohio	Reusable vertical catch basin protection			10/25/02			Withdrawn without prejudice.

**D-59**

**COUNCIL RECOMMENDATION**

NO.	PRODUCT NAME MANUFACTURER	DESCRIPTION	EVALUATION IN PROGRESS			EVALUATION COMPLETED		REFERENCE TO STANDARD SPECIFICATIONS
			FIELD TEST	LAB TEST	OTHER	ACCEPT	REJECT	REMARKS
492	Reflex Rubber Expansion Joint J. D. Russell Company Tucson, Arizona	Preformed expansion joint filler				7/28/00		1051
493	Galvashield Vector Corrosion Technologies Winnipeg, Manitoba	Embedded galvanic anodes	11/17/00					Field trials installed 6/01, 3/04 District 6.
494	Pecora 300 Silicone Pecora Corporation Harleysville, Pennsylvania	Self-leveling silicone joint sealant			5/4/01			Withdrawn without prejudice.
495	The Catch-All Mar Mac Manufacturing, Incorporated McBee, South Carolina	Secondary sediment control device				10/25/02		1081.15 (h). Four field trials installed 8/01, District 1.
496	DuroTrim Welch Products, Inc. Carlisle, Iowa	Weed control mat				1/25/08		Developing M-spec Field trial installed 9/01 & 10/05, District 6.
497	Temp Ramp E Z Road, Incorporated Tremont, Illinois	Temporary ramp constructed of recycled rubber for use at butt joints				8/6/04		406.18 Field trials installed 5/03, District 1; 5/03, 5/03, District 4; 7/03, District 6; 5/04, 6/04 District 3. Approved 8/6/04 for routes with permanent posted speed limits up to 55 mph.
498	Pecora 301 Silicone Pecora Corporation Harleysville, Pennsylvania	Non-sag silicone joint sealant				08/24/10		Field trial installed 3/04, Southern Illinois Airport.
499	Quick Stab Contech Construction Products Middletown, Ohio	Gasketed bell and spigot joining system for CMP				10/25/02		542, 1006 Approved up to 48" diameter.

**D-60**

**COUNCIL RECOMMENDATION**

NO.	PRODUCT NAME MANUFACTURER	DESCRIPTION	EVALUATION IN PROGRESS			EVALUATION COMPLETED		REFERENCE TO STANDARD SPECIFICATIONS
			FIELD TEST	LAB TEST	OTHER	ACCEPT	REJECT	REMARKS
500	Manhole Protector Ring Work Area Protection Corporation St. Charles, Illinois	Temporary ramp constructed of recycled rubber for use at exposed drainage castings				10/29/09		Developing special provision. Field trials installed 5/07 and 5/08, District 6 and City of Springfield 7/09. Approved 10/29/09 for routes with permanent posted speed limits up to 40 mph.
501	Spectrem (DS Brown) 800 Tremco, Incorporated Beachwood, Ohio	Non-sag silicone joint sealant					08/24/10	Field trial installed 7/04, St. Louis Regional Airport. Rejected due to poor field installation and performance.
502	Ultraliner Ultraliner, Incorporated Oxford, Alabama	PVC alloy fold and form pipe liner				5/9/03		Special provision. Installed 11/02, Athens, Illinois.
503	GeoRidge Nilex Corporation Centennial, Colorado	Reusable temporary ditch check				4/22/05		280.04 – Temporary Ditch Check Approved List. Field trial installed 7/04, District 5.
504	EcoBlanket Rexius Forest By-Products Eugene, Oregon	Erosion control mulch				8/6/04		251.03 Field trial installed 4/04, District 6.
505	I Rock I Rock of Michigan Brighton, Michigan	Recycled plastic noise barrier wall				4/22/05		Company changed name to Vortex Composites Product name changed to SmartTie
506	Silt-Saver Frame & Filter Assembly Silt-Saver, Incorporated Conyers, Georgia	Sediment control device				01/25/08		BDE special provision: Above Grade Inlet Protection. Field trials installed 06/06, District 1, 06/07 Oswego, IL.
507	POPIT POPIT, Inc Levittown, Pennsylvania	Plastic plug for lift holes in Precast concrete pipe & culverts				5/19/06		1042.16 (b) BDE Special Provision Field trials installed 04/05, by Sangamon County. Field inspection by District 2 in Iowa.
508	Ooze Tube PQ Partners, LLC Canton, Georgia	Supplemental watering device for newly planted trees				3/31/10		Field trials installed 06/06, District 1. Withdrawn without prejudice.

**D-61**

**COUNCIL RECOMMENDATION**

NO.	PRODUCT NAME MANUFACTURER	DESCRIPTION	EVALUATION IN PROGRESS			EVALUATION COMPLETED		REFERENCE TO STANDARD SPECIFICATIONS
			FIELD TEST	LAB TEST	OTHER	ACCEPT	REJECT	REMARKS
509	Enviro-Shield United States Gypsum Company Chicago, Illinois	Hydraulically applied Bonded Fiber Matrix				10/29/09		Field trial Decatur, IL 09/07. Approved as alternative to Article 251.04 Erosion Control Blankets in <u>Standard Specifications for Road and Bridge Construction</u>
510	SprayMatt Central Fiber Corporation Wellsville, Kansas	Hydraulically applied Bonded Fiber Matrix				10/29/09		Field trial Decatur, IL 09/07. Approved as alternative to Article 251.04 Erosion Control Blankets in <u>Standard Specifications for Road and Bridge Construction</u>
511	UGT Manhole Grade Ring Underground Technologies LLC Troy, Michigan	Composite manhole frame and cover grade adjustment ring	4/27/07					Field trials to be installed as alternative to Article 1043 Grade Rings in <u>Standard Specifications for Road and Bridge Construction</u>
512	WeedEnder U-Tech Fayetteville, NC	Weed control mat	3/31/10					Field demo installed 11/09I-72 Springfield, IL D-6. Experimental feature installed 8/10 IL 4 Springfield, IL D-6
513	Proline Proline Products, LLC Guthrie, OK	Asphalt cold mix for pothole patching				3/31/10		Field trial installed 02/10 Springfield & IL 29 Rochester, D-6. Approved to be included in M-Spec 120-07 <i>Specifications for Bituminous Premix for Maintenance Use.</i>
514	Perma-Patch Perma-Patch, Inc Baltimore, MD	Asphalt cold mix for pothole patching				3/31/10		Field trial installed 02/10 Springfield & IL 29 Rochester, D-6. Approved to be included in M-Spec 120-07 <i>Specifications for Bituminous Premix for Maintenance Use.</i>
515	Sakrete All Weather Blacktop Patch Sakrete Charlotte, NC	Asphalt cold mix for pothole patching				3/31/10		Field trial installed 02/10 Springfield & IL 29 Rochester, D-6. Approved to be included in M-Spec 120-07 <i>Specifications for Bituminous Premix for Maintenance Use.</i>
516	U.S. Cold Patch Sakerete (Under License from YK Products, Everett, WA) Charlotte, NC	Asphalt cold mix for pothole patching					3/31/10	Field trial installed 02/10 Springfield & IL 29 Rochester, D-6. Rejected because of poor field performance.

**D-62**

**COUNCIL RECOMMENDATION**

NO.	PRODUCT NAME MANUFACTURER	DESCRIPTION	EVALUATION IN PROGRESS			EVALUATION COMPLETED		REFERENCE TO STANDARD SPECIFICATIONS
			FIELD TEST	LAB TEST	OTHER	ACCEPT	REJECT	REMARKS
517	Tuf-Barrier, Silent Protector Plus Harder Luckey Hargrave, Inc Lisle, IL	PVC Noise Barrier	3/31/10					Tuf-Barrier is a reflective wall. Silent Protector Plus is an absorptive wall. Looking for field trials.
518	Belzona 4521 Magna-Flex Fluid Belzona, Inc. Miami, FL	Bridge Joint Sealant				11/30/10		Field trial installed US 40 Effingham 09/2005, US 50 Clay City 04/2008, and Oakland Ave Decatur. Approved for use as alternative to two-part silicone for sealing bridge expansion joints. Developing special provision.
519	Cretex Pro Ring Cretex Specialty Products Waukesha, WI	Expanded polypropylene manhole frame & cover grade adjustment ring	11/30/10					Field trials to be installed as alternative to Article 1043 Grade Rings in <u>Standard Specifications for Road and Bridge Construction</u>
520	EAS Silent Screen Panel Empire Acoustical Systems Round Rock, TX	Steel absorptive noise abatement wall	11/30/10					Approved for field trials.
521	Welded Wire Monofilament Inlet Protector Silt Fence Fabricators, LLC Franklin, Indiana	Welded Wire Monofilament Inlet Protector				5/20/11		Field installations 2010 Springfield, Urbana, and D7 Oblong. for use in Illinois as an alternative to Article 280.04 c) Inlet and Pipe Protection of the <u>Standard Specifications for Road and Bridge Construction</u> . Developing special provision and standard.
522	UltraCure McTech Group Riverside, California	Wet Curing Blanket for Bridge Decks					5/20/11	Field Demo D7 Oskaloosa. Rejected due to installation problems.
523	Green Patch Cofire Industries	Asphalt cold mix for pothole patching				5/20/11		Field installations 03/2011 D6 & Sangamon County Springfield area. Approved to be included in M-Spec 120-07 <i>Specifications for Bituminous Premix for Maintenance Use</i> .

**D-63**

**COUNCIL RECOMMENDATION**

NO.	PRODUCT NAME MANUFACTURER	DESCRIPTION	EVALUATION IN PROGRESS			EVALUATION COMPLETED		REFERENCE TO STANDARD SPECIFICATIONS
			FIELD TEST	LAB TEST	OTHER	ACCEPT	REJECT	REMARKS
524	Bond-X Seabord Asfalt Products Green C-mix)	Asphalt cold mix for pothole patching				5/20/11		Field installations 03/2011 D6 & Sangamon County Springfield area. Approved to be included in M-Spec 120-07 <i>Specifications for Bituminous Premix for Maintenance Use.</i>
525	Green C-mix Seabord Asfalt Products	Asphalt cold mix for pothole patching				5/20/11		Field installations 03/2011 D6 & Sangamon County Springfield area. Approved to be included in M-Spec 120-07 <i>Specifications for Bituminous Premix for Maintenance Use.</i>
526	Infrasteel Pipe Precision Pipe & Products Inc. Birmingham, AL	Smooth wall steel pipe (arch, elliptical, round)				12/13/11		Steel casing material complies with Section 1006.05 (d) in <u>Standard Specifications for Road and Bridge Construction</u> . Specification under development for use as an alternative to culvert rehabilitation.

EVALUATIONS COMPLETED SINCE LAST CIRCULAR

**No Product Evaluations Completed Since Last Circular**

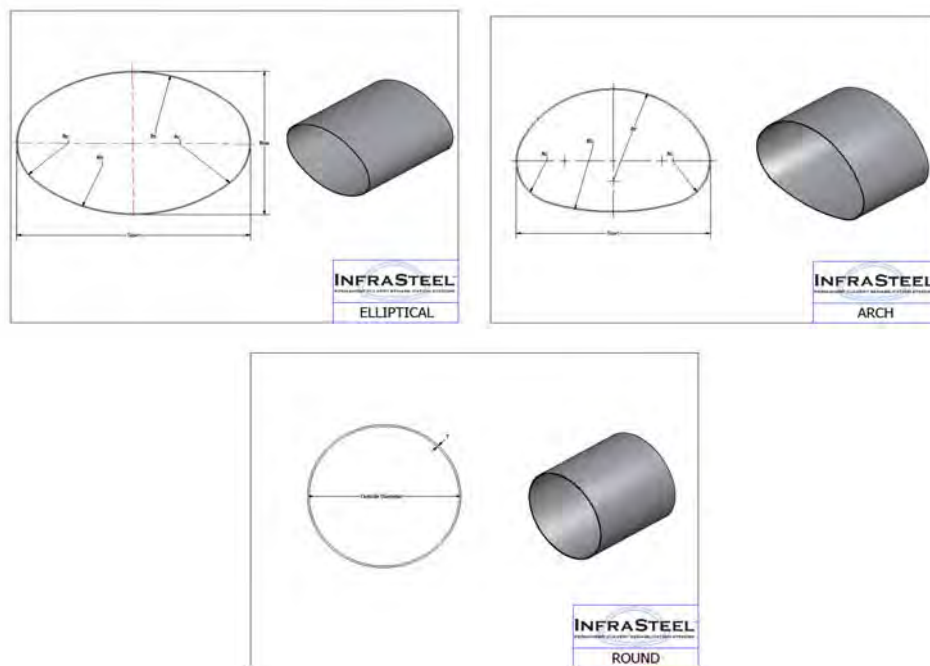
## NEW PROPOSALS

**Product Proposal #526 Infrasteel****INTRODUCTION**

Dan Dammann from Precision Pipe and Products Inc. presented Infrasteel to the Department for the rehabilitation of culverts. The Steel casing material used with this system complies with Section 1006.05 (d) of the Illinois Standard Specifications for Road and Bridge Construction.

**DESCRIPTION**

Infrasteel is a smooth wall steel pipe system used for the rehabilitation of existing culverts and structures. Infrasteel is made 100% of carbon steel. Steel pipes range in diameter from 24 inches to 120 inches with the option of larger diameters upon order and variable thicknesses upon design. Infrasteel is available in round, elliptical and arched shapes. Figure 1 shows the cross sections of all three different shapes of pipes available.



**Figure 1 Cross section of all three different shapes**

Infrasteel is installed by slipping the pipe into the existing culvert. This method has proven to be a good method of trenchless rehabilitation of culverts. This system can also be used to repair leaks or improve the structural stability of culverts.

Slip lining is completed by inserting the steel pipe into the culvert and filling the space between the steel pipe and culvert with grout. Bypass pumps are utilized to make sure grout is not being pumped into the water stream. Figure 2 shows the sequence of a culvert being rehabilitated.



**Figure 2 Sequence of installation**

### LAB TEST

No laboratory testing is required at the moment. The material shall conform to the specifications provided to the Department of Transportation by the Manufacturer.

### FIELD INSTALLATION

This product has been used by Virginia Department of Transportation (VDOT) for over 6 years. Todd Bolling, Construction Engineering with VDOT, stated that this system has worked great for them. Bolling stated that the system was clean and environmentally friendly. Construction methods were clear and concise, and the pipe seemed to provide very good additional structural stability to the culvert.

Bolling stated that one of the installations has been in use for over 6 years and currently the rehabilitated culvert has needed little to no maintenance. VDOT stated that it was really important not to let the original culvert deteriorate to the point of it losing its internal shape because this would not allow the pipe to be slid into the culvert, requiring a much more serious repair.

VDOT has had over 80 installations with overall good success, using all types of shapes. VDOT shared the special provision they have been using when using this system. See Attachment.

### CONCLUSIONS

Infrasteel is a viable and practical way to repair culvert structures. This system has been successfully used by another state with similar weather patterns as Illinois for over 6 years in over 80 installations.

RECOMMENDATIONS

Based on the state of Virginia's experiences and the simplicity of this system it is recommended to approve this system as an alternative to rehabilitate culverts.

COUNCIL ACTION

Mueller motioned that Infrasteel be approved for use in Illinois a pipe rehabilitation alternative for culverts.

Kowalski seconded and the motion carried.

ATTACHMENTS

Preliminary Information for Product Evaluation Form; Product Literature  
Virginia Department of Transportation Special Provision for Pipe Culvert Rehabilitation

G-1

**NEWS ITEM**

There was no news item at this meeting.